

# Multifunctional Gate Box MGB



**EUCHNER**

More than safety.

# EUCHNER

More than safety.



Headquarters in Leinfelden-Echterdingen



Logistics center in Leinfelden-Echterdingen



Production location in Unterböhringen

## Internationally successful – the EUCHNER company

EUCHNER GmbH + Co. KG is a world-leading company in the area of industrial safety technology. EUCHNER has been developing and producing high-quality switching systems for mechanical and systems engineering for more than 60 years.

The medium-sized family-operated company based in Leinfelden, Germany, employs around 750 people around the world.

18 subsidiaries and other sales partners in Germany and abroad work for our international success on the market.

## Quality and innovation – the EUCHNER products

A look into the past shows EUCHNER to be a company with a great inventive spirit. We take the technological and ecological challenges of the future as an incentive for extraordinary product developments.

EUCHNER safety switches monitor safety doors on machines and installations, help to minimize dangers and risks and thereby reliably protect people and processes. Today, our products range from electromechanical and electronic components to intelligent integrated safety solutions. Safety for people, machines and products is one of our dominant themes.

We define future safety technology with the highest quality standards and reliable technology. Extraordinary solutions ensure the great satisfaction of our customers.

The product ranges are subdivided as follows:

- ▶ Transponder-coded Safety Switches
- ▶ Transponder-coded Safety Switches with guard locking
- ▶ Multifunctional Gate Box MGB
- ▶ Access management systems (Electronic-Key-System EKS)
- ▶ Electromechanical Safety Switches
- ▶ Magnetically coded Safety Switches
- ▶ Enabling Switches
- ▶ Safety Relays
- ▶ Emergency Stop Devices
- ▶ Hand-Held Pendant Stations and Handwheels
- ▶ Safety Switches with AS-Interface
- ▶ Joystick Switches
- ▶ Position Switches



## Multifunctional Gate Box MGB

---

<b>General information</b>	<b>4</b>	
<b>System overview and selection aid</b>	<b>7</b>	
<b>Approvals and explanation of symbols</b>	<b>8</b>	
<b>System family MGB</b>	<b>9</b>	
Interlocking sets MGB-L0-...	10	MGB-AP
Locking sets MGB-L1-...	16	
Locking sets MGB-L2-...	38	
Technical data and dimension drawings	50	
<b>System family MGB with control module</b>	<b>53</b>	
Interlocking sets MGB-LOC-AR...	54	MGB-AR
Locking sets MGB-L1C-AR...	56	
Locking sets MGB-L2C-AR...	58	
Technical data and dimension drawings	60	
<b>Expansions and accessories for MGB-AP and MGB-AR</b>	<b>63</b>	
<b>System family MGB-PN</b>	<b>85</b>	
Locking sets MGB-L1-PN...	86	MGB-PN
Locking sets MGB-L2-PN...	98	
Control modules MGB-...-PN...	114	
Technical data and dimension drawing	120	
<b>Item index</b>	<b>126</b>	
Item index by item designation	126	
Item index by order numbers	128	

**A handle on the future**

The MGB (**Multifunctional Gate Box**) is a unique interlocking or guard locking system for the protection of safety doors on machines and systems.

**The MGB offers that little bit more:** it is more than a safety switch, more than a bolt, and offers a lot more functionality!

**A system that can grow with your needs**

Even the basic system comprising handle module and evaluation module (as interlocking module or locking module) includes numerous functions. Whether interlocking, guard locking, escape release or other functions such as pushbuttons for start/stop, emergency stop, etc. – the MGB meets all your requirements for safety-related applications.

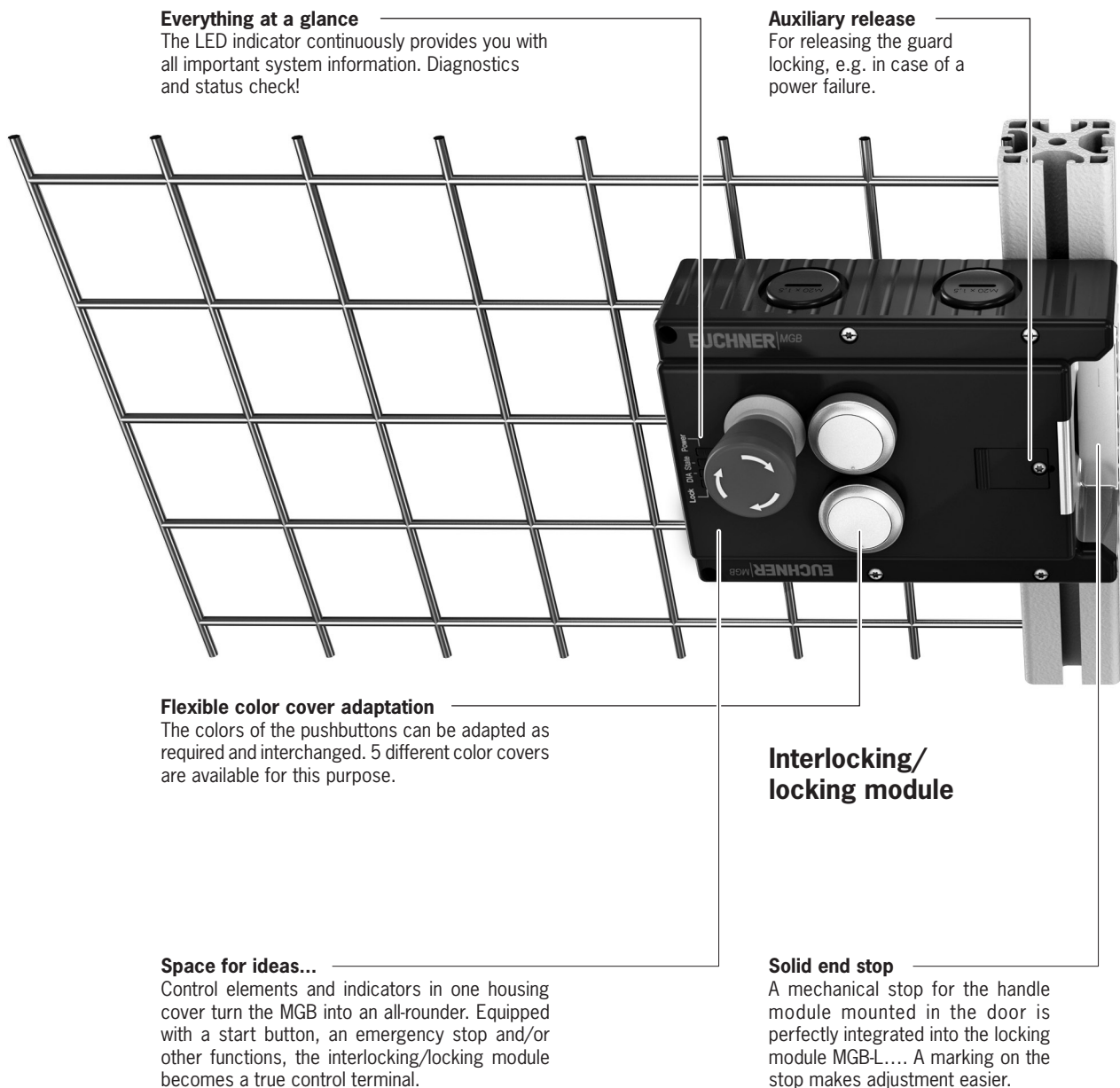
And if your needs grow, the MGB system grows with them. Due to the sophisticated modular design, the evaluation module can quickly become a small control panel.

**Or with an additional control module straight away**

In the wide variety of different MGBs, you will definitely find the right one for your application. If not, using the control module you can add lamps, pushbuttons or even completely different operating functions. The control module is permanently fastened to the evaluation module using the connection set.

**Be certain of compliance with standards**

Performance Level e in accordance with EN ISO 13849-1 or SIL3 in accordance with EN 62061 – even with the basic system you meet all these requirements. Also the requirements of EN 14119 for protection against tampering are met automatically, as each evaluation module is permanently assigned to a handle module in the unicode version.



**Everything at a glance**

The LED indicator continuously provides you with all important system information. Diagnostics and status check!

**Auxiliary release**

For releasing the guard locking, e.g. in case of a power failure.

**Flexible color cover adaptation**

The colors of the pushbuttons can be adapted as required and interchanged. 5 different color covers are available for this purpose.

**Interlocking/locking module**

**Space for ideas...**

Control elements and indicators in one housing turn the MGB into an all-rounder. Equipped with a start button, an emergency stop and/or other functions, the interlocking/locking module becomes a true control terminal.

**Solid end stop**

A mechanical stop for the handle module mounted in the door is perfectly integrated into the locking module MGB-L.... A marking on the stop makes adjustment easier.

**Safety remains the most important goal**

Are you locked in inside the danger zone? The optional escape release is intuitive to operate! Whether in the event of a power failure or active guard locking – simply press down the red door handle to leave the danger zone quickly.

For protection when working in the danger zone you can block the bolt tongue using up to 3 padlocks in the integrated lockout mechanism. Unintentional activation of the interlocking/guard locking is prevented. Is the lockout mechanism to extend automatically when the door is open? No problem with the right handle module.

**Easy to mount and sophisticated design**

All MGB modules are optimized for use on fences made of aluminum profiles or steel frames. The MGB is equally suitable for doors hinged on the left or right. Both mounting and changing the actuating direction can be undertaken particularly quickly and easily. Usage on safety doors that are not constructed of profiles, works of course just as well.

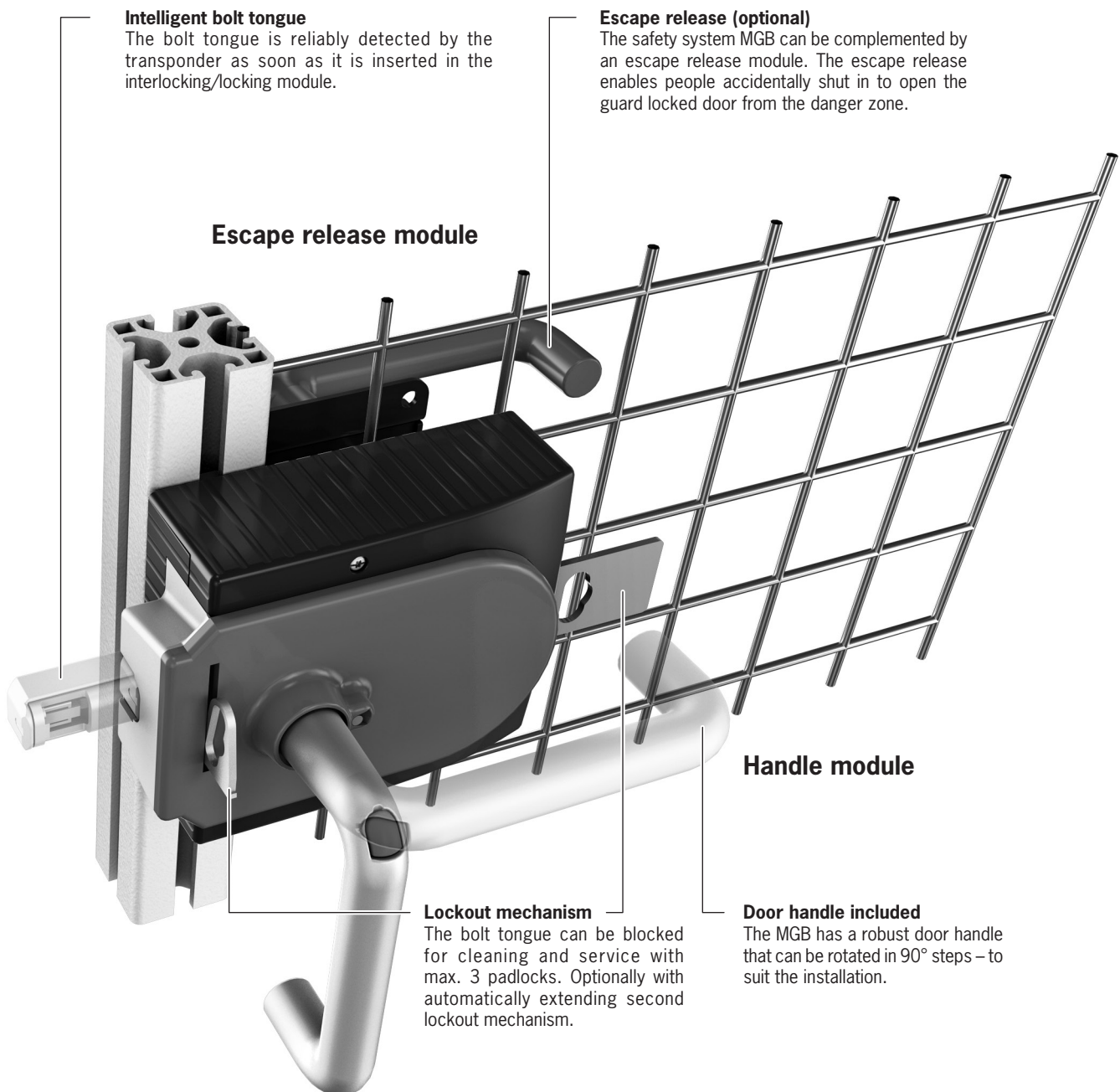
The adjustment of safety doors in fences changes over time. With  $\pm 4$  mm tolerance in the x direction as well as  $\pm 5$  mm in the z direction, the MGB is right there where the problem starts. Nevertheless, if a safety door should be even more out of adjustment, the large funnel in the evaluation module “catches” the bolt tongue and guides it into the center position.

Bolt tongue, bolt guide and insertion funnel will also withstand occasional slamming of the door. Robust metal parts protect the MGB against this problem as well. To prevent injuries, the bolt tongue remains retracted with the door open. Do you use hinged doors or sliding doors? The MGB is suitable for both. This aspect eases spare parts stockholding.

**You always have an overview**

Four built-in LEDs continuously provide all the necessary system information: power supply available, door closed, bolt tongue inserted, guard locking activated, diagnostics messages – everything can be seen clearly at a glance. This information is of course also available to the control system.

(Read on the next page what else there is in the MGB!)



**Intelligent bolt tongue**

The bolt tongue is reliably detected by the transponder as soon as it is inserted in the interlocking/locking module.

**Escape release (optional)**

The safety system MGB can be complemented by an escape release module. The escape release enables people accidentally shut in to open the guard locked door from the danger zone.

**Escape release module**

**Handle module**

**Lockout mechanism**

The bolt tongue can be blocked for cleaning and service with max. 3 padlocks. Optionally with automatically extending second lockout mechanism.

**Door handle included**

The MGB has a robust door handle that can be rotated in 90° steps – to suit the installation.

## Sophisticated accessories

Whether you need mounting plates for easier attachment, pre-assembled cables or a long escape release actuation axis (as the safety door needs to be very thick), you will find all you need in the accessories section.

## Economical wiring according to standards

All devices in the family AR can be wired directly in series in a so-called AR series connection without reducing safety or the PL. As a consequence evaluation units are saved. AR devices are also available in the EUCHNER series CES and CET.

The family MGB-AP is particularly suitable for the protection of individual safety doors. If series connection is not necessary, wiring can then be saved. This version has different timing to the AR version.

## Seamless integration by means of bus connection

In the PROFINET version we now also make the wiring easier for you. You define which element is to be integrated and the related function. The MGB supplies the protocol frame with the necessary PROFINET input and output bytes required.

Comprehensive diagnostic information in the form of PROFINET messages makes troubleshooting quick and specific. Due to the typical ease with which parameters can be set in PROFINET, even the replacement of the system in case of service is a simple matter and can be undertaken in a few minutes.

## Interlocking or guard locking?

### Functions of the versions MGB-LO, MGB-L1 and MGB-L2 compared

#### Interlocking devices (MGB-LO, without guard locking)

Together with a handle module, the interlocking module makes it possible to interlock the control of movable guards. The combination also serves as a mechanical door stop at the same time.

The following switch-on condition applies to the safety outputs FO1A and FO1B (see also System status table):

- ▶ Guard closed (but can be opened at any time)
- ▶ Bolt tongue inserted in the interlocking module

The interlocking module detects the position of the guard and the position of the bolt tongue.

The bolt tongue in the handle module is moved into and out of the interlocking module by actuating the door handle.

#### The advantages of the Multifunctional Gate Box MGB

- ▶ Suitable for all profiles (optimized for mounting on profiles)
- ▶ Tolerance  $\pm 4$  mm in x direction,  $\pm 5$  mm in z direction
- ▶ Locking force 2000 N
- ▶ The MGB withstands forces amounting up to 300 Joule
- ▶ Optional escape release with door handle
- ▶ Optional pushbuttons and indicators can be integrated directly into the housing
- ▶ Stable metal stop prevents damage with bolt tongue extended
- ▶ Marking on the evaluation module as adjustment aid
- ▶ The actuating direction is easy to change without disassembly
- ▶ Hidden mounting holes with slots and metal mounting surfaces
- ▶ Housing material made of high quality, fiber glass reinforced plastic
- ▶ Escape release can also be used on doors with double rebate

## Guard locking devices (MGB-L1 and MGB-L2)

Together with a handle module, the locking module makes it possible to lock movable guards. The combination also serves as a mechanical door stop at the same time.

The following switch-on condition applies to the safety outputs FO1A and FO1B (see also System status table):

- ▶ Guard closed
- ▶ Bolt tongue inserted in the locking module
- ▶ Locking arm in locking position (the door cannot be opened)

The locking module detects the position of the guard and the position of the bolt tongue. The position of the guard locking is also monitored.

The bolt tongue in the handle module is moved into and out of the locking module by actuating the door handle.

When the bolt tongue is fully inserted in the locking module, the locking arm locks the bolt tongue in this position. Depending on the version, this locking is by spring force or solenoid force.

- ▶ **Version MGB-L1:**The locking arm is held in the locked position by spring force and is unlocked by solenoid force (closed-circuit current principle, mechanically locked).
- ▶ **Version MGB-L2:**The locking arm is held in the locked position by solenoid force and is unlocked by spring force when the solenoid is switched off (open-circuit current principle, electrically locked).

#### Warning!

The guard can be opened immediately in the event of interruption of the solenoid power supply with the version MGB-L2-...!

This type may be used only in special cases after strict assessment of the accident risk (see EN ISO 14119:2013, section 5.7.1!)

Example: If the risk of accidental locking inside a guard during a power failure is higher than the risk of ineffective guard locking.

## Flexible adaptation through configuration

The evaluation module can be configured with the aid of DIP switches. Depending on the setting, the evaluation module behaves like an MGB-AP or MGB-AR device. In addition, guard lock monitoring can be switched on or off, if guard locking is installed.

From V2.2.0, an unlocking monitoring function can be activated that signals whether the auxiliary release or escape release was actuated when guard lock monitoring is active.

## Connection to evaluation units or safe control systems

The safety system MGB can be connected to almost any safe evaluation unit or to any safe control system. For this purpose the cross circuit monitoring on the control system is disabled – this function is performed by the MGB. Performance Level e is of course retained.




## These features are available in all devices in the families MGB-AP and MGB-AR

- ▶ Emergency release
- ▶ Connection by cable entry, max. 1.5 mm<sup>2</sup> or plug connector
- ▶ Plug connector connection, either M23 or M12 12-pin
- ▶ Series connection (only with system family AR, for description see above)
- ▶ Connection of pushbuttons to common power supply DC 24 V
- ▶ Connection of lamps to common ground
- ▶ Operation of guard locking via IMP as control input on PLC (only 3 mA)
- ▶ Monitoring outputs
  - ▶ OD = Door closed
  - ▶ OT = Bolt tongue inserted in the evaluation module (in case of guard locking devices ready for operation of the solenoid)
  - ▶ OL = Guard locking solenoid kept in locked position
  - ▶ OI = Diagnostics, there is a fault

## System families at a glance

The tables on this page provide you with a quick overview of the features and strengths of the related product family as well as the possible expansions.

### What system families are available?

System family	Symbol	Use
MGB-AP		If series connection is not necessary, the number of terminals can be reduced using this system family.
MGB-AR		Linking of several guards on one shutdown path. As a consequence several safety doors can be very simply polled using one evaluation unit or two control system inputs.
MGB-PN		How to utilize the maximum functionality of the MGB in a Profinet environment. Ease of replacement and flexibility are in the foreground here.

It is possible to switch between the MGB-AP and MGB-AR families using DIP switches.

## System families compared

The tables provide you with a quick overview of the features and strengths of the related product family as well as the possible expansions.

Feature / special aspect	System family		
	MGB-AP	MGB-AR	MGB-PN
Separate operation	●	○	–
Series connection	–	●	–
Bus connection	–	–	●
Simple diagnostics	○	○	●
Little wiring	●	○	●

Key:

● Particularly suitable    ○ Suitable    – Not applicable/not possible

Function / expansion	System family		
	MGB-AP	MGB-AR	MGB-PN
Evaluation module with additional functions	● Selection from existing versions, customer-specific version possible *	● Selection from existing versions, customer-specific version possible*	● Selection from existing versions, customer-specific version possible*
Control module with additional functions	○ Flexible configuration due to kit MGB-C (only devices with cable entry)	○ Flexible configuration due to kit MGB-C (only devices with cable entry)	○ Configuration from factory by EUCHNER
Mounting plates	○	○	●
Connection for enabling switch	○ Available in some versions	○	○ Available in some versions
Escape release	Already contained in some sets, can be upgraded at any time.		

Key:



● Standard    ○ Optional or on request    – Not possible

\*) Note minimum order quantity of 50 pieces!

Approvals




To demonstrate conformity, the Machinery Directive also includes the possibility of type examination. Although all relevant standards are taken into account during development, we have all our safety switches subjected to additional type examinations by a notified body.

Many of the devices listed in this catalog have been tested by the German Social Accident Insurance association (DGUV), formerly the employers' liability insurance association (BG), and are given in the lists from the DGUV. With the aid of the approval symbols listed below you can quickly see which approvals are available for the related devices:




	Devices with this symbol are type examined by the German Social Accident Insurance association (DGUV) – formerly the employers' liability insurance association (BG)
	All MGB devices comply with the stipulations of Underwriter Laboratories (UL) and carry the symbol

Explanation of symbols




System families













	System family MGB-AP for separate operation
	System family MGB-AR for separate operation or series connection with other AR devices
	System family MGB-PN for operation in PROFINET environment

Safety category/guard locking

	Suitable up to category 4 or Performance Level e in accordance with EN ISO 13849-1
	Guard locking for personnel protection
	Guard locking for process protection

Controls and indicators

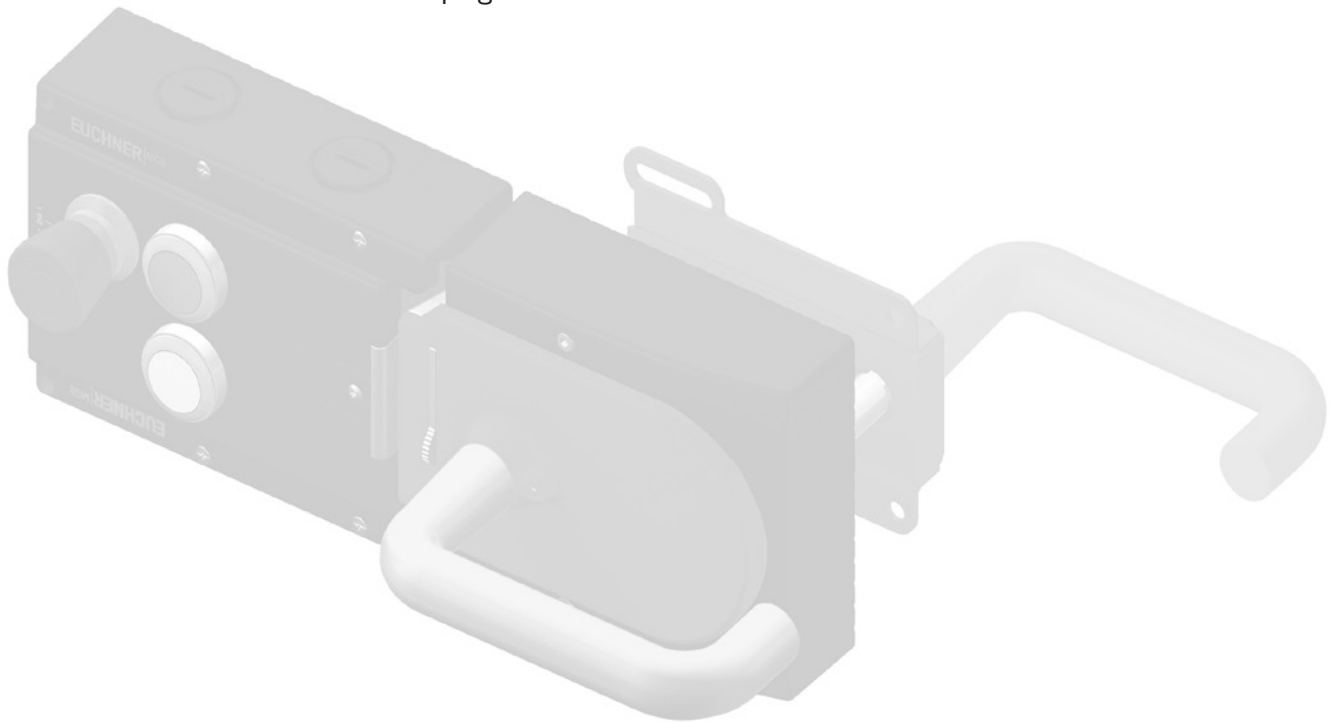
	Emergency stop according to ISO 13850
	Illuminated emergency stop
	Emergency stop with monitoring contact

	Machine stop (black-silver)
	Machine stop (black-silver) with monitoring contact
	Illuminated pushbutton
	Pushbutton not illuminated
	LED
	Selector switch form V
	Selector switch form V illuminated
	Key-operated selector switch form V
	Key-operated selector switch form L
	Pushbutton labeling "Unlocked"
	Pushbutton labeling "Locked"
	Other possible button labels



**Complete sets system families MGB-AP/MGB-AR**

- ▶ Interlocking or guard locking with handle module
- ▶ With escape release
- ▶ With pushbuttons and emergency stop
- ▶ With plug connectors

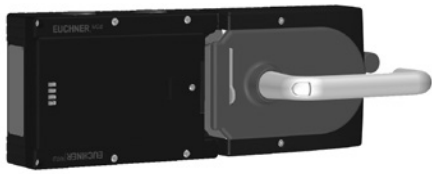


MGB-AP  
MGB-AR

<b>Interlocking sets MGB-L0-... (without guard locking)</b>	<b>10 - 15</b>
without controls and indicators	10
with 2 controls and indicators	12
with 3 controls and indicators	14
<b>Locking sets MGB-L1-... (guard locking by spring force)</b>	<b>16 - 36</b>
without controls and indicators	16
with 1 control and indicator	18
with 2 controls and indicators	20
with 3 controls and indicators	26
with 4 controls and indicators	34
<b>Locking sets MGB-L2-... (guard locking by solenoid force)</b>	<b>38 - 49</b>
without controls and indicators	38
with 2 controls and indicators	40
with 3 controls and indicators	44
with 4 controls and indicators	48
<b>Technical data</b>	<b>50</b>
<b>Dimension drawings</b>	<b>51</b>

## Interlocking sets MGB-LO-... without controls or indicators

Cat.  
4  
PLe



### Further information

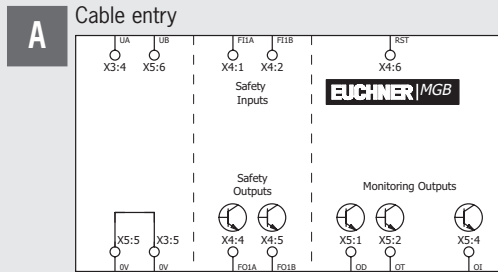
- ▶ Dimension drawings see p. 51
- ▶ Technical data see p. 50
- ▶ Accessories and spare parts see p. 63
- ▶ [www.euchner.com](http://www.euchner.com)

- ▶ Can be connected in series with other AR devices (e.g. CES-AR, CET-AR and CTP-AR)
- ▶ With cable entry

### Ordering table

Modules in the set							Ordering data, set			
Version/configuration scheme Order no. separate module	Locking module					Wiring diagram	Handle module Order no. separate module	Escape release Order no. separate module	Door hinge (factory setting)	Order no./item
	S1 H1	S2 H2	S3 H3	S4 H4						
 105331 	-	-	-	-	A	100464	-	Right	<b>105778</b> MGB-LOH-AR-R-105778	
	105331 	-	-	-			-			100465

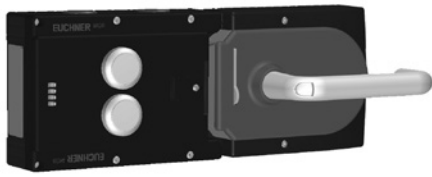
Block diagram



MGB-AP  
MGB-AR

## Interlocking sets MGB-LO-... with 2 controls or indicators

Cat. 4  
PLe



### Details

#### Lens set

The color of the pushbutton can be selected using the lens set 120344 included.

### Further information

- ▶ Dimension drawings see p. 51
- ▶ Technical data see p. 50
- ▶ Accessories and spare parts see p. 63
- ▶ [www.euchner.com](http://www.euchner.com)

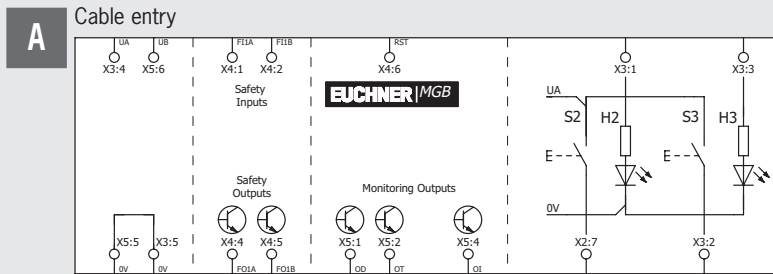
- ▶ Can be connected in series with other AR devices (e.g. CES-AR, CET-AR and CTP-AR)
- ▶ With cable entry
- ▶ Integrated controls and indicators

### Ordering table for complete sets

Modules in the set									Ordering data, set	
Version/configuration scheme <small>Order no. separate module</small>	Locking module					Wiring diagram	Handle module <small>Order no. separate module</small>	Escape release <small>Order no. separate module</small>	Door hinge <small>(factory setting)</small>	Order no./item
	S1 H1	S2 H2	S3 H3	S4 H4						
 	-	*)	*)	-		100464	-	Right	<b>121059</b> MGB-LOH-ARA-R-121059	

\* The color can be selected using the lens set included.

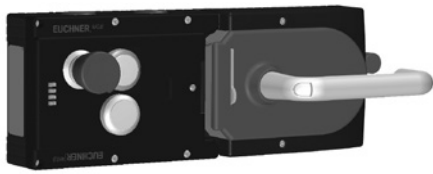
Block diagram and wiring diagram for controls and indicators



MGB-AP  
MGB-AR

## Interlocking sets MGB-LO-... with 3 controls or indicators

Cat. 4  
PLe



- ▶ Can be connected in series with other AR devices (e.g. CES-AR, CET-AR and CTP-AR)
- ▶ With cable entry or plug connector
- ▶ Integrated controls and indicators

### Details

#### Emergency stop with monitoring contact

Additional normally open contact in the emergency stop, e.g. as monitoring contact for the control system.

#### Lens set

The color of the pushbutton can be selected using the lens set 120344 included.

#### Adhesive labels

Devices with adhesive labels have pre-formed recesses. The adhesive labels enclosed (standard size 12.5 x 27 mm) can be affixed in these recesses.

### Further information

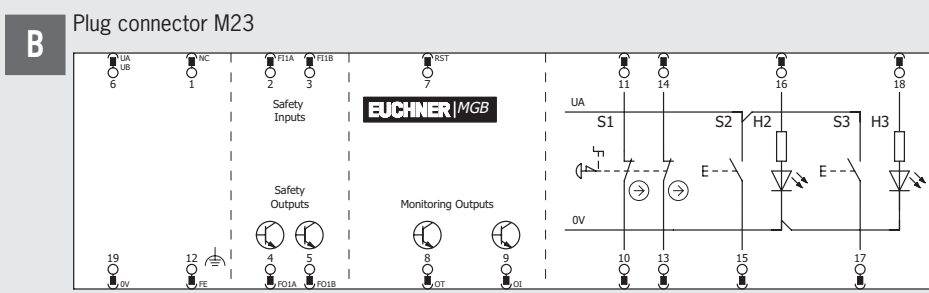
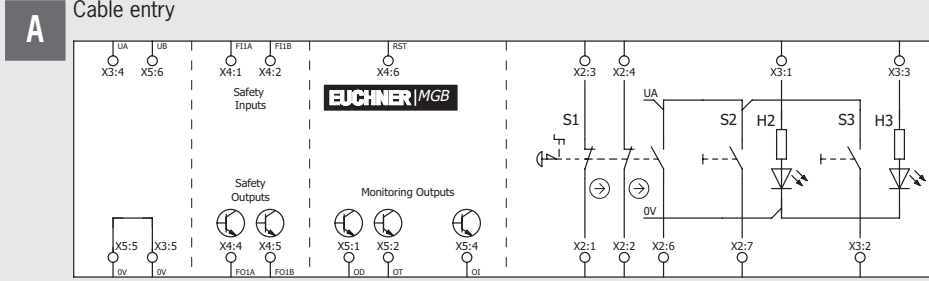
- ▶ Dimension drawings see p. 51
- ▶ Technical data see p. 50
- ▶ Accessories and spare parts see p. 63
- ▶ [www.euchner.com](http://www.euchner.com)

### Ordering table

Modules in the set							Ordering data, set		
Version/configuration scheme Order no. separate module	Locking module					Handle module Order no. separate module	Escape release Order no. separate module	Door hinge (factory setting)	Order no./item
	S1 H1	S2 H2	S3 H3	S4 H4	Wiring diagram				
121232 						100465		Right	<b>121233</b> MGB-LOHE-ARA-R-121233
121253  Incl. adhesive labels		*)	*)	-	<b>A</b>	100464		Right	<b>121254</b> MGB-LOH-ARA-R-121254
 121259  Incl. adhesive labels						106619		Left	<b>121260</b> MGB-LOH-ARA-L-121260
116300  Incl. adhesive labels				-	<b>B</b>	111157		Right	<b>110691</b> MGB-LOHE-ARA-R-110691
116302  Incl. adhesive labels		ye	wh	-		111158		Left	<b>110692</b> MGB-LOHE-ARA-L-110692

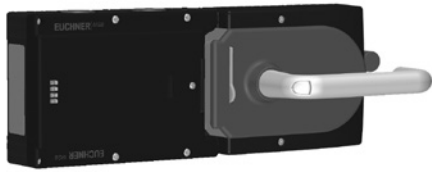
\* The color can be selected using the lens set included.

## Block diagram and wiring diagrams for controls and indicators



MGB-AP  
MGB-AR

**Locking sets MGB-L1-... (guard locking by spring force) without control or indicator**


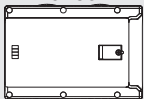
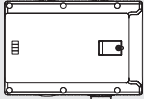
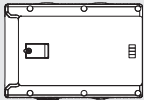


**Further information**

- ▶ Dimension drawings see p. 51
- ▶ Technical data see p. 50
- ▶ Accessories and spare parts see p. 63
- ▶ [www.euchner.com](http://www.euchner.com)

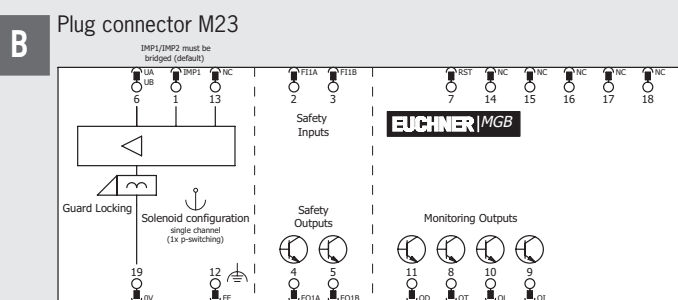
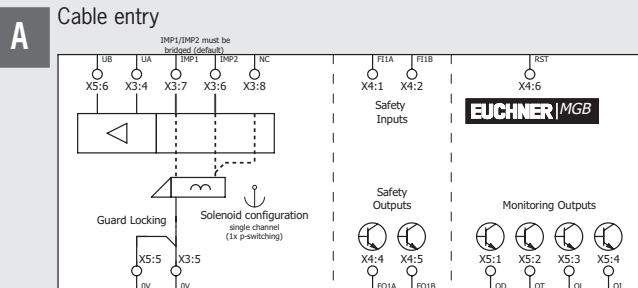
- ▶ Can be connected in series with other AR devices (e.g. CES-AR, CET-AR and CTP-AR)
- ▶ With cable entry or plug connector

**Ordering table**

Modules in the set							Ordering data, set			
Version/configuration scheme <small>Order no. separate module</small>	Locking module					Wiring diagram	Handle module <small>Order no. separate module</small>	Escape release <small>Order no. separate module</small>	Door hinge <small>(factory setting)</small>	Order no./item
	S1 H1	S2 H2	S3 H3	S4 H4						
						A	100464	100465	Right	<b>105784</b> MGB-L1HE-AR-R-105784
										<b>105782</b> MGB-L1H-AR-R-105782
		-	-	-	-	B			Left	<b>111070</b> MGB-L1H-AR-R-111070
							106619			<b>111073</b> MGB-L1H-AR-L-111073



## Block diagram



MGB-AP

MGB-AR

**Locking sets MGB-L1-... (guard locking by spring force) with one control or indicator**



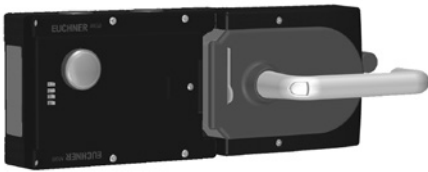
### Details

#### Lens set

The color of the pushbuttons can be selected using the lens set 120344 included.

### Further information

- ▶ Dimension drawings see p. 51
- ▶ Technical data see p. 50
- ▶ Accessories and spare parts see p. 63
- ▶ [www.euchner.com](http://www.euchner.com)



- ▶ Can be connected in series with other AR devices (e.g. CES-AR, CET-AR and CTP-AR)
- ▶ With cable entry or plug connector
- ▶ Integrated control and indicator

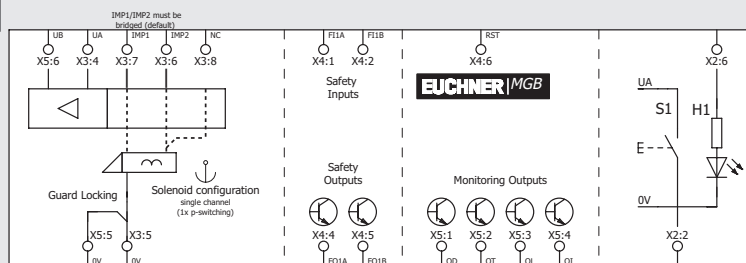
### Ordering table

Modules in the set							Ordering data, set		
Version/configuration scheme Order no. separate module	Locking module				Wiring diagram	Handle module Order no. separate module	Escape release Order no. separate module	Door hinge (factory setting)	Order no./item
	S1 H1	S2 H2	S3 H3	S4 H4					
					<b>A</b>	100464	100465	Right	<b>120991</b> MGB-L1HE-ARA-R-120991
		-	-	-					
					<b>B</b>	106619		Left	<b>121040</b> MGB-L1HE-ARA-L-121040

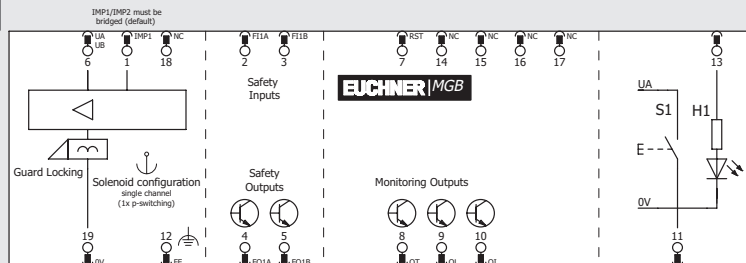
\* The color can be selected using the lens set included.

## Block diagram and wiring diagrams for control and indicator

### A Cable entry



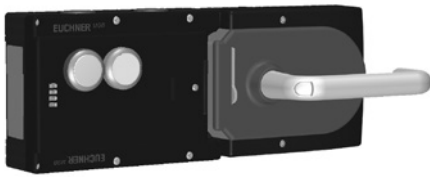
### B Plug connector M23



MGB-AP

MGB-AR

## Locking sets MGB-L1-... (guard locking by spring force) with 2 controls or indicators



- ▶ Can be connected in series with other AR devices (e.g. CES-AR, CET-AR and CTP-AR)
- ▶ With cable entry or plug connector
- ▶ Integrated controls and indicators

### Details

#### Emergency stop with monitoring contact

Additional normally open contact in the emergency stop, e.g. as monitoring contact for the control system.

#### Key-operated rotary switch

- ▶ **Form L**, 90° angle of rotation with 2 positions. The key latches in both positions and can be removed in both positions. Devices with key-operated switch form L have degree of protection IP 54.
- ▶ **Form V**, 40° angle of rotation with 2 positions. The key latches in position 0 and can be removed in position 0.

#### Lens set

The color of the pushbuttons can be selected using the lens set 120344 included.

### Adhesive labels

Devices with adhesive labels have pre-formed recesses. The adhesive labels enclosed (standard size 12.5 x 27 mm) can be affixed in these recesses.

### Further information

- ▶ Dimension drawings see p. 51
- ▶ Technical data see p. 50
- ▶ Accessories and spare parts see p. 63
- ▶ [www.euchner.com](http://www.euchner.com)

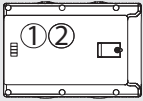

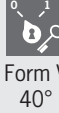

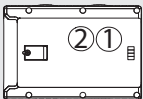
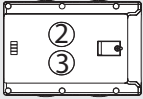



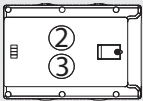
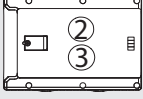
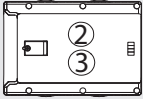
## Ordering table

Modules in the set									Ordering data, set	
Version/configuration scheme Order no. separate module	Locking module					Wiring diagram	Handle module Order no. separate module	Escape release Order no. separate module	Door hinge (factory setting)	Order no./item
	S1 H1	S2 H2	S3 H3	S4 H4						
121130 			-	-	<b>A</b>	100464	100465	Right	<b>121131</b> MGB-L1HE-ARA-R-121131	
121050 			-	-	<b>B</b>	100464	-	Right	<b>121051</b> MGB-L1H-ARA-R-121051	
				-			100465		<b>121052</b> MGB-L1HE-ARA-R-121052	
124691  IP 54			-	-	<b>C</b>	100464	-	Right	<b>124098</b> MGB-L1H-ARA-R-124098	
124692  IP 54	Form L, 90°		-	-		106619	-	Left	<b>124099</b> MGB-L1H-ARA-L-124099	

\* The color can be selected using the lens set included.

(Continued on next page)

Ordering table (continued)

Modules in the set							Ordering data, set		
Version/configuration scheme Order no. separate module	Locking module				Wiring diagram	Handle module Order no. separate module	Escape release Order no. separate module	Door hinge (factory setting)	Order no./item
	S1 H1	S2 H2	S3 H3	S4 H4					
119806  IP 54	 wh	 Form V 40°	-	-		114655	100465	Right	<b>119807</b> MGB-L1HE-ARA-R-119807
119808  IP 54						114656		Left	<b>119809</b> MGB-L1HE-ARA-L-119809
121060 	-	 *)	 *)	-		100464	100465	Right	<b>121061</b> MGB-L1H-ARA-R-121061
121086  Incl. adhesive labels									<b>121062</b> MGB-L1HE-ARA-R-121062
121088  Incl. adhesive labels									<b>121087</b> MGB-L1HE-ARA-R-121087 (with lens set 120378)
									<b>121170</b> MGB-L1H-ARA-R-121170
121067 									<b>121171</b> MGB-L1H-ARA-L-121171
									<b>121089</b> MGB-L1HE-ARA-L-121089 (with lens set 120378)
						106619	100465	Left	<b>121069</b> MGB-L1HE-ARA-L-121069
									<b>121068</b> MGB-L1H-ARA-R-121068


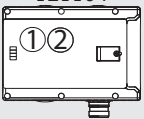


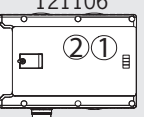


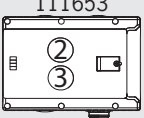


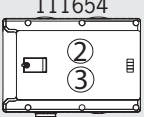


\* The color can be selected using the lens set included.

(Continued on next page)

## Locking sets MGB-L1-... (guard locking by spring force) with 2 controls or indicators



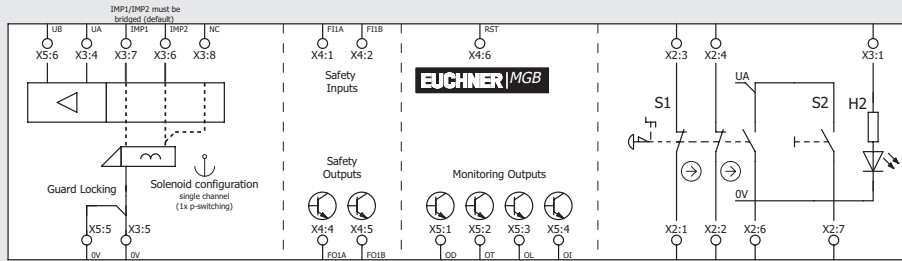
### Ordering table (continued)

Modules in the set							Ordering data, set			
Version/configuration scheme <small>Order no. separate module</small>	Locking module					Handle module <small>Order no. separate module</small>	Escape release <small>Order no. separate module</small>	Door hinge <small>(factory setting)</small>	Order no./item	
	S1 H1	S2 H2	S3 H3	S4 H4	Wiring diagram					
	121104  Incl. adhesive labels			-	-	<b>F</b>	100464	-	Right	<b>121105</b> MGB-L1H-ARA-R-121105
	121106  Incl. adhesive labels	 *)	 *)	-	-	<b>F</b>	106619	-	Left	<b>121107</b> MGB-L1H-ARA-L-121107
	111653  Incl. adhesive labels	-			-	<b>G</b>	100464	-	Right	<b>111655</b> MGB-L1H-ARA-R-111655
	111654  Incl. adhesive labels	-	 ye	 wh	-	<b>G</b>	106619	-	Left	<b>111656</b> MGB-L1H-ARA-L-111656

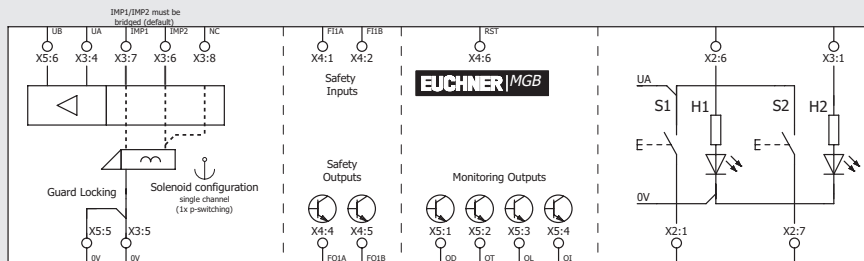
\* The color can be selected using the lens set included.

Block diagram and wiring diagrams for controls and indicators

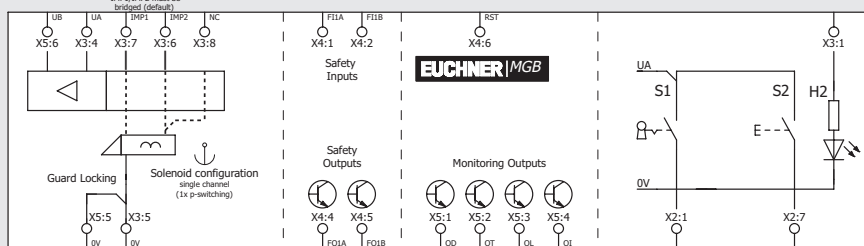
**A** Cable entry



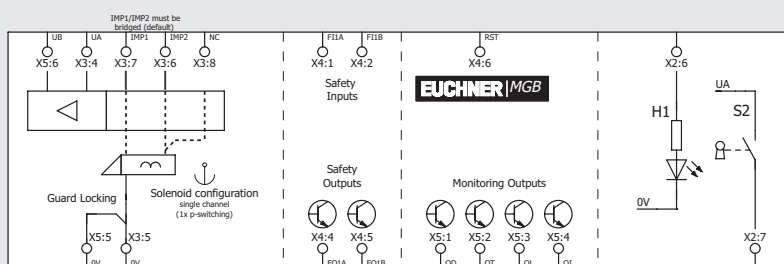
**B** Cable entry



**C** Cable entry



**D** Cable entry



MGB-AP

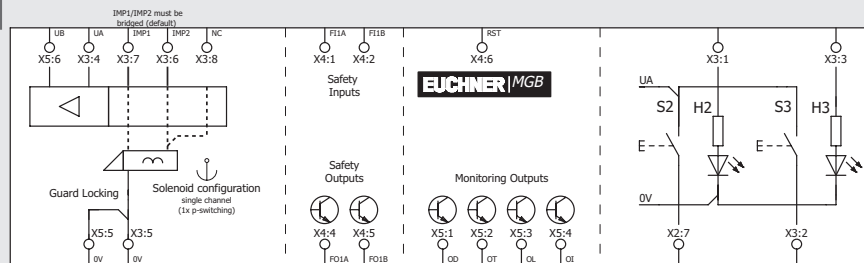
MGB-AR

Locking sets MGB-L1-... (guard locking by spring force) with 2 controls or indicators

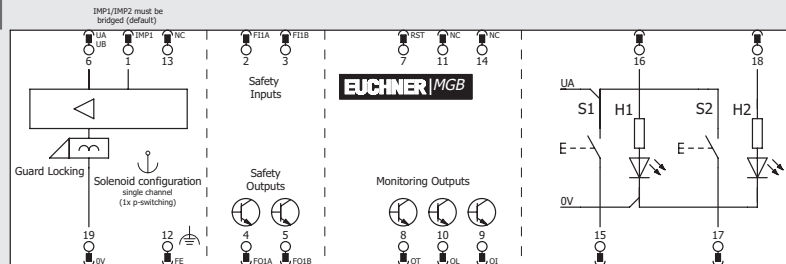


## Block diagram and wiring diagrams for controls and indicators

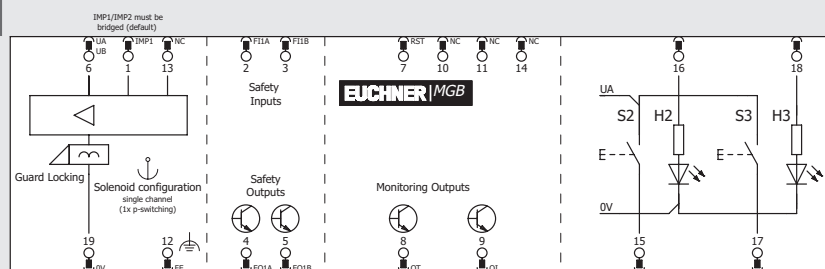
### E Cable entry



### F Plug connector M23



### G Plug connector M23



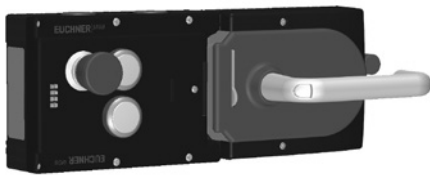
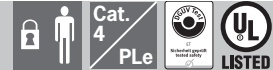




MGB-AP

MGB-AR

## Locking sets MGB-L1-... (guard locking by spring force) with 3 controls or indicators



- ▶ Can be connected in series with other AR devices (e.g. CES-AR, CET-AR and CTP-AR)
- ▶ With cable entry or plug connector
- ▶ Integrated controls and indicators

### Details

#### Release monitoring activated

When release monitoring is active, the system enters into a latching fault when the escape release or auxiliary release is actuated.

#### Emergency stop with monitoring contact

Additional normally open contact in the emergency stop, e.g. as monitoring contact for the control system.

#### Connection for enabling switch

The devices have an M12 plug connector for the direct connection of an enabling switch (e.g. ZSA, order no. 110560).

#### Lens set

The color of the pushbuttons can be selected using the lens set 120344 included.

### Adhesive labels

Devices with adhesive labels have pre-formed recesses. The adhesive labels enclosed (standard size 12.5 x 27 mm) can be affixed in these recesses.

### Selector switch

Selector switch with 2 positions (form V, 90°). The switch latches in both positions.

### Machine stop

Version as emergency stop but in gray/yellow, e.g. as machine stop.

Important: Do not use as emergency stop!

### Further information

- ▶ Dimension drawings see p. 51
- ▶ Technical data see p. 50
- ▶ Accessories and spare parts see p. 63
- ▶ [www.euchner.com](http://www.euchner.com)

### Ordering table

Modules in the set							Ordering data, set		
Version/configuration scheme Order no. separate module	Locking module				Wiring diagram	Handle module Order no. separate module	Escape release Order no. separate module	Door hinge (factory setting)	Order no./item
	S1 H1	S2 H2	S3 H3	S4 H4					
AP	115224 				A	100464	-	Right	115178 MGB-L1H-APA-R-115178
	115225 		wh	wh					
	110585 	-				B	-	Right	110587 MGB-L1H-APA-R-110587
	110586 	-	wh	ye	bu				

(Continued on next page)

Ordering table (continued)

		Modules in the set								Ordering data, set
									Door hinge (factory setting)	
		Locking module					Handle module Order no. separate module	Escape release Order no. separate module		
Version/configuration scheme Order no. separate module		S1 H1	S2 H2	S3 H3	S4 H4	Wiring diagram				
	115894 				-	<b>C</b>	111157	-	Right	<b>115895</b> MGB-L1H-APA-R-115895
	115896 						111158			
	114235  Plug connector M12 for enabling switch	-				<b>D</b>	111157	-	Right	<b>114236</b> MGB-L1H-APA-R-114236
	114237  Plug connector M12 for enabling switch						111158			
	110219 				-	<b>E</b>	100464	-	Right	<b>105783</b> MGB-L1H-AR-R-105783
							100465			
	121255  Incl. adhesive labels				-	<b>E</b>	100464	-	Right	<b>121256</b> MGB-L1H-ARA-R-121256
	121234 						100465			

\* The color can be selected using the lens set included.

(Continued on next page)

MGB-AP  
MGB-AR

## Locking sets MGB-L1-... (guard locking by spring force) with 3 controls or indicators



Ordering table (continued)

Modules in the set							Ordering data, set		
Version/configuration scheme Order no. separate module	Locking module				Wiring diagram	Handle module Order no. separate module	Escape release Order no. separate module	Door hinge (factory setting)	Order no./item
	S1 H1	S2 H2	S3 H3	S4 H4					
121261  Incl. adhesive labels				-	<b>E</b>	106619	-	Left	<b>121262</b> MGB-L1H-ARA-L-121262
121241  Incl. adhesive labels		 *)	 *)	-	<b>E</b>	106619	100465	Left	<b>121243</b> MGB-L1H-ARA-L-121243
109314  Incl. adhesive labels		 wh	 Form V 90°	-	<b>F</b>	100464	100465	Right	<b>109313</b> MGB-L1HE-ARR-109313
 121411  Incl. adhesive labels				-	<b>E</b>	100464	-	Right	<b>121412</b> MGB-L1H-ARA-R-121412
121413  Incl. adhesive labels		 *)	 *)	-	<b>E</b>	106619	-	Left	<b>121414</b> MGB-L1H-ARA-L-121414
117310  Incl. adhesive labels		 ye	 wh	-	<b>G</b>	111157	-	Right	<b>117314</b> MGB-L1H-ARA-R-117314
117312  Incl. adhesive labels		 ye	 wh	-	<b>G</b>	111158	-	Left	<b>117316</b> MGB-L1H-ARA-L-117316

\* The color can be selected using the lens set included.

(Continued on next page)

Ordering table (continued)

Modules in the set							Ordering data, set		
Version/configuration scheme <small>Order no. separate module</small>	Locking module				Wiring diagram	Handle module <small>Order no. separate module</small>	Escape release <small>Order no. separate module</small>	Door hinge <small>(factory setting)</small>	Order no./item
	S1 H1	S2 H2	S3 H3	S4 H4					
 121215 Incl. adhesive labels		*)	*)	-		100464	100465	Right	<b>121216</b> MGB-L1HE-ARA-R-121216
 121217 Incl. adhesive labels						106619		Left	<b>121218</b> MGB-L1HE-ARA-L-121218
 110792 Incl. adhesive labels				-		100464	-	Right	<b>110613</b> MGB-L1H-ARA-R-110613
 110793 Incl. adhesive labels						106619		Left	<b>110614</b> MGB-L1H-ARA-L-110614
 116301 Release monitoring activated, incl. adhesive labels		ye	wh	-		111157	100465	Right	<b>110689</b> MGB-L1HE-ARA-R-110689
 116303 Release monitoring activated, incl. adhesive labels						111158		Left	<b>110690</b> MGB-L1HE-ARA-L-110690


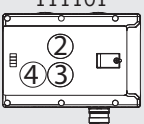



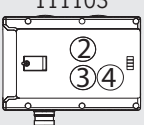



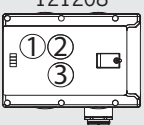



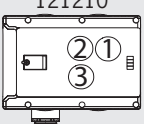



\* The color can be selected using the lens set included.

(Continued on next page)

## Locking sets MGB-L1-... (guard locking by spring force) with 3 controls or indicators



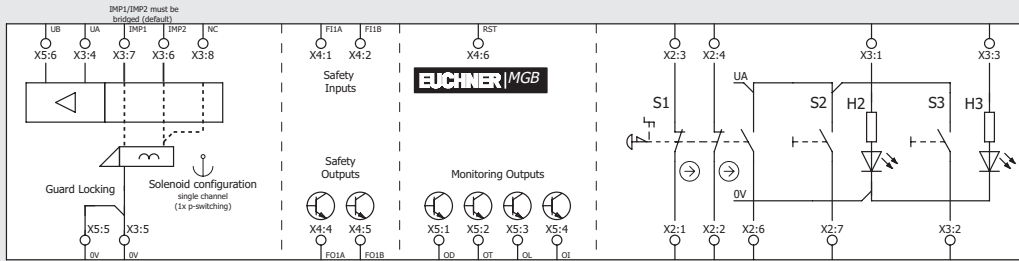
### Ordering table (continued)

Modules in the set							Ordering data, set			
Version/configuration scheme Order no. separate module	Locking module					Handle module Order no. separate module	Escape release Order no. separate module	Door hinge (factory setting)	Order no./item	
	S1 H1	S2 H2	S3 H3	S4 H4	Wiring diagram					
	111101  Incl. adhesive labels	-	 wh	 wh		H	111739	-	Right	<b>111020</b> MGB-L1H-ARAR-111020
	111103  Incl. adhesive labels	-	 wh	 wh		H	111741	-	Left	<b>111022</b> MGB-L1H-ARAL-111022
	121208  Incl. adhesive labels		 *)	 *)	-	I	100464	-	Right	<b>121209</b> MGB-L1H-ARAR-121209
	121210  Incl. adhesive labels		 *)	 *)	-	I	106619	-	Left	<b>121211</b> MGB-L1H-ARAL-121211

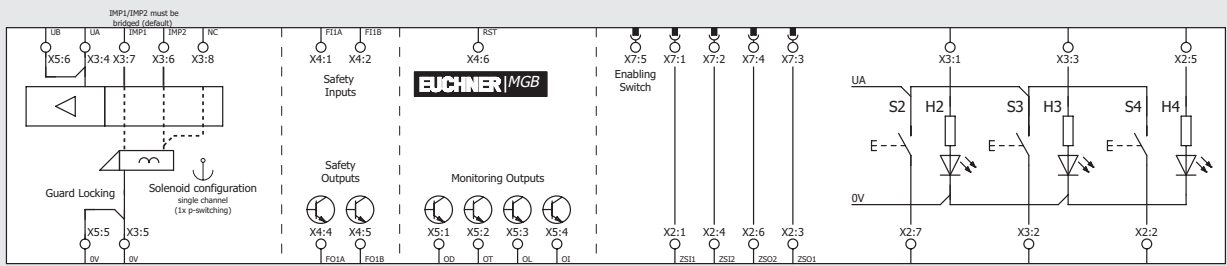
\* The color can be selected using the lens set included.

## Block diagram and wiring diagram for controls and indicators

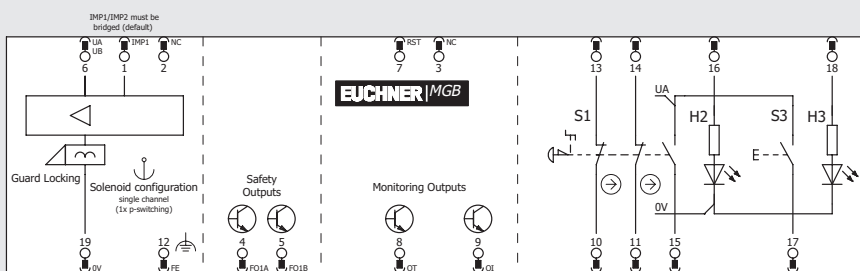
### A Cable entry



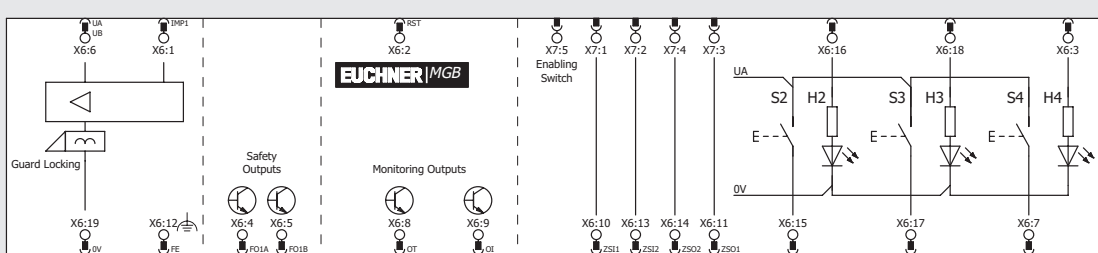
### B Cable entry



### C Plug connector M23

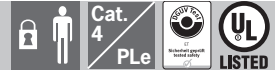


### D Plug connector M23

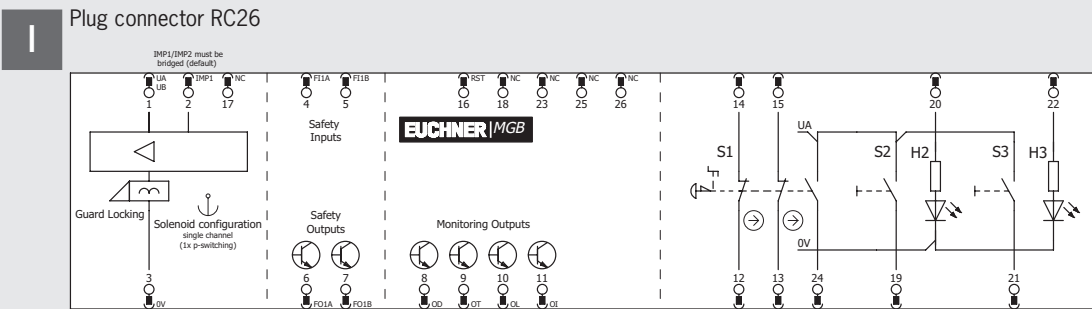
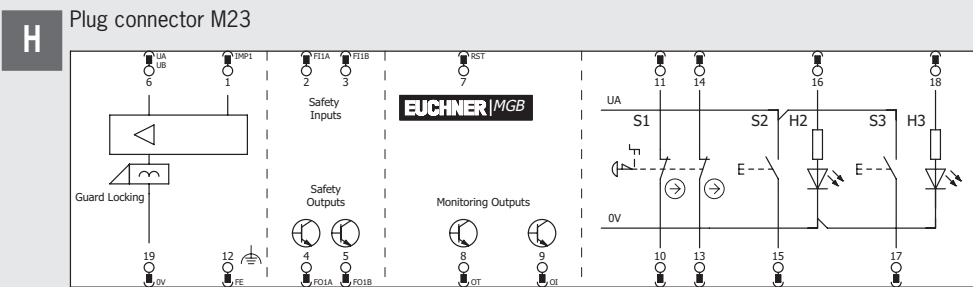
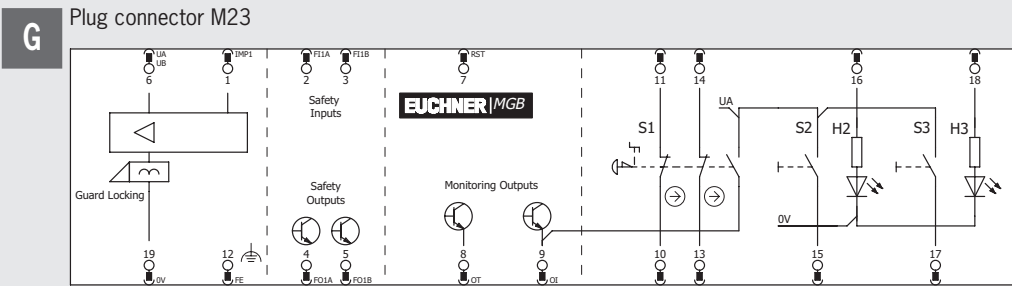
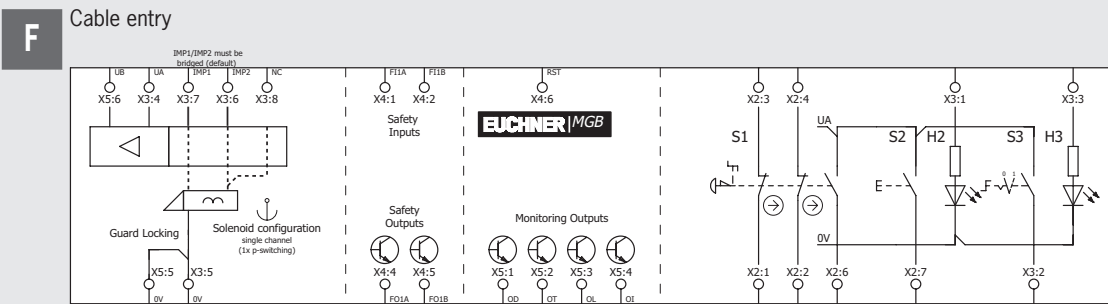
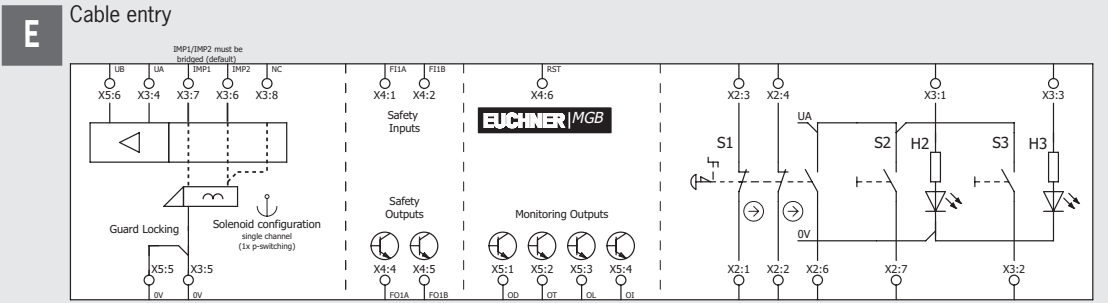


(Continued on next page)

## Locking sets MGB-L1-... (guard locking by spring force) with 3 controls or indicators



### Block diagram and wiring diagrams for controls and indicators (continued)



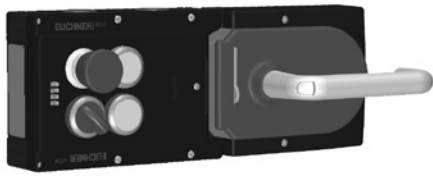




MGB-AP

MGB-AR

## Locking sets MGB-L1-... (guard locking by spring force) with 4 controls or indicators



### Details

#### Release monitoring activated

When release monitoring is active, the system enters into a latching fault when the escape release or auxiliary release is actuated.

#### Emergency stop with monitoring contact

Additional normally open contact in the emergency stop, e.g. as monitoring contact for the control system.

#### Lens set

The color of the pushbuttons can be selected using the lens set 120344 included.

#### Selector switch, illuminated


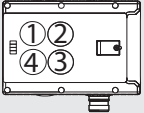






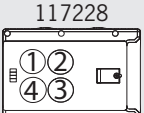





Selector switch with 2 positions (form V, 90°). The switch latches in both positions.

### Further information

- ▶ Dimension drawings see p. 51
- ▶ Technical data see p. 50
- ▶ Accessories and spare parts see p. 63
- ▶ [www.euchner.com](http://www.euchner.com)

- ▶ Can be connected in series with other AR devices (e.g. CES-AR, CET-AR and CTP-AR)
- ▶ With cable entry or plug connector
- ▶ Integrated controls and indicators

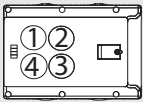





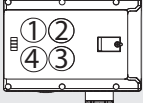





### Ordering table

Modules in the set							Ordering data, set		
Version/configuration scheme Order no. separate module	Locking module				Wiring diagram	Handle module Order no. separate module	Escape release Order no. separate module	Door hinge (factory setting)	Order no./item
	S1 H1	S2 H2	S3 H3	S4 H4					
 121812  Release monitoring activated, incl. adhesive labels		 wh	 rd	 gn		111838	106051	Right	<b>121813</b> MGB-L1HE-APA-R-121813 (Modules pre-assembled on mounting plates)
						111839		Left	
 117228  Release monitoring activated, incl. adhesive labels		 gn	 wh	 bu		100464	-	Right	<b>117229</b> MGB-L1H-ARAR-117229
						106619		Left	

\* The color can be selected using the lens set included.

(Continued on next page)

Ordering table (continued)

Modules in the set							Ordering data, set		
Version/configuration scheme Order no. separate module	Locking module					Handle module Order no. separate module	Escape release Order no. separate module	Door hinge (factory setting)	Order no./item
	S1 H1	S2 H2	S3 H3	S4 H4	Wiring diagram				
 121404		 *)	 *)	 Form V 90°	 C	100464	-	Right	<b>121405</b> MGB-L1H-ARA-R-121405
						106619		Left	
 119923		 gn	 wh	 bu	 D	100464	-	Right	<b>119924</b> MGB-L1H-ARA-R-119924
						106619		Left	

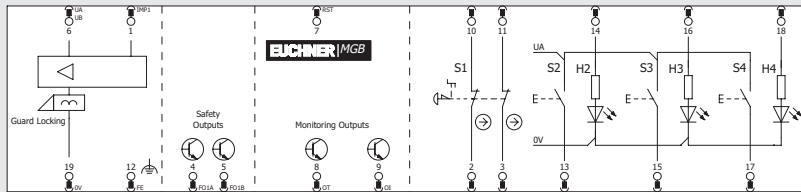
\* The color can be selected using the lens set included.

## Locking sets MGB-L1-... (guard locking by spring force) with 4 controls or indicators

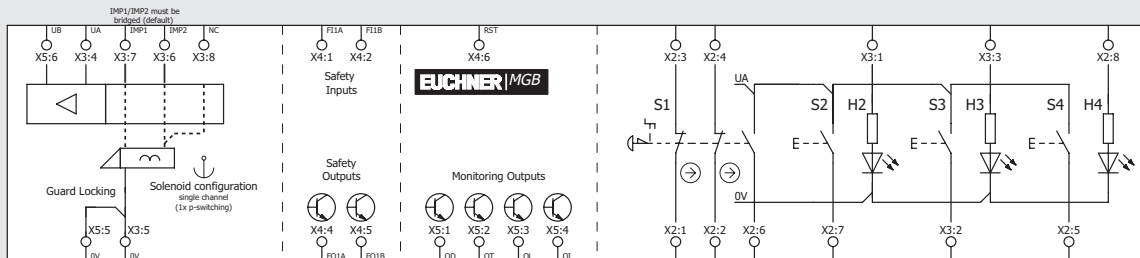


### Block diagram and wiring diagrams for controls and indicators

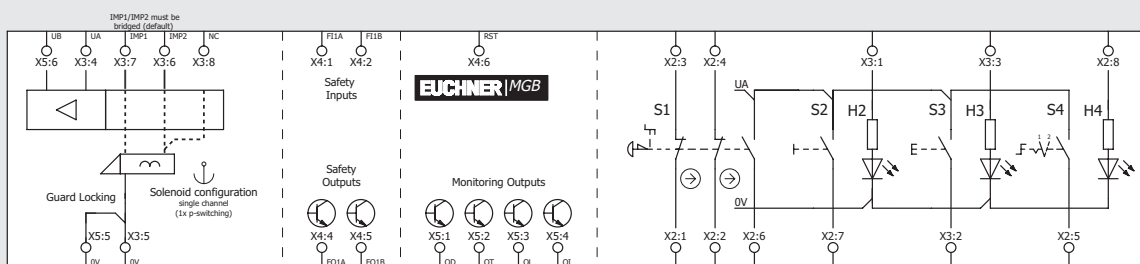
**A** Plug connector M23



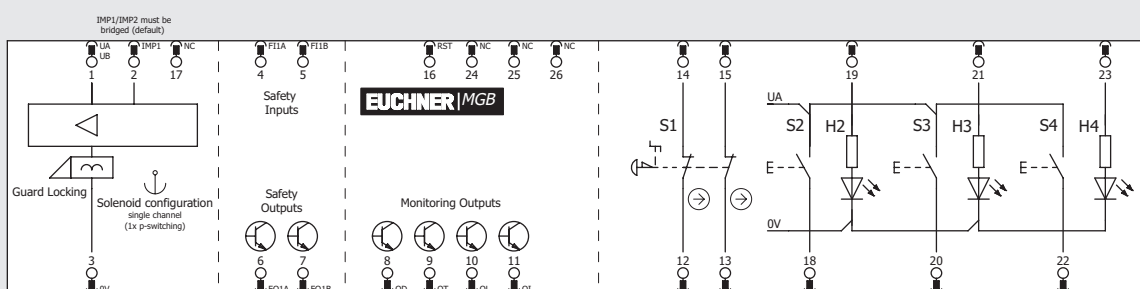
**B** Cable entry



**C** Cable entry



**D** Plug connector RC26

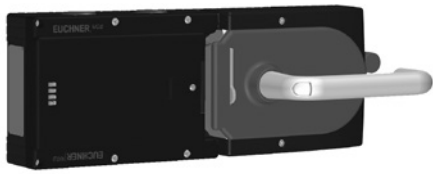




MGB-AP

MGB-AR

**Locking sets MGB-L2-... (guard locking by solenoid force) without control or indicator**


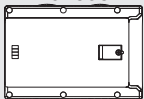
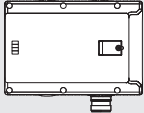
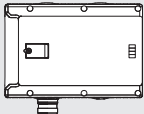


**Further information**

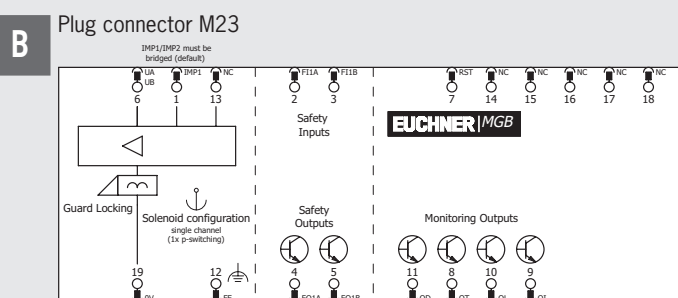
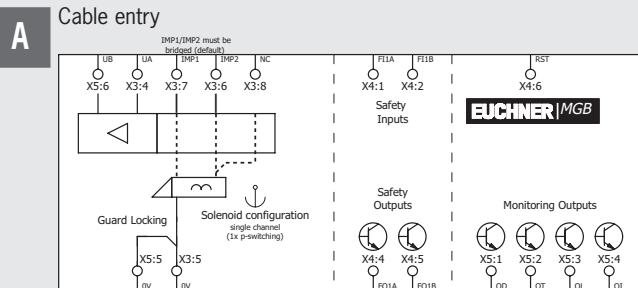
- ▶ Dimension drawings see p. 51
- ▶ Technical data see p. 50
- ▶ Accessories and spare parts see p. 63
- ▶ [www.euchner.com](http://www.euchner.com)

- ▶ Can be connected in series with other AR devices (e.g. CES-AR, CET-AR and CTP-AR)
- ▶ With cable entry or plug connector

**Ordering table**

Modules in the set							Ordering data, set		
Version/configuration scheme <small>Order no. separate module</small>	Locking module				Wiring diagram	Handle module <small>Order no. separate module</small>	Escape release <small>Order no. separate module</small>	Door hinge <small>(factory setting)</small>	Order no./item
	S1 H1	S2 H2	S3 H3	S4 H4					
	 104303	-	-	-	<div style="background-color: #808080; color: white; text-align: center; padding: 5px;">A</div>		100465	Right	<b>105788</b> MGB-L2HE-AR-R-105788
						100464			<b>105786</b> MGB-L2H-AR-R-105786
	 109776	-	-	-	-	<div style="background-color: #808080; color: white; text-align: center; padding: 5px;">B</div>		-	<b>109780</b> MGB-L2H-AR-R-109780
 109777						106619	Left	<b>109781</b> MGB-L2H-AR-L-109781	

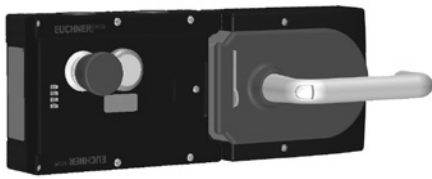
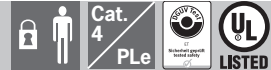
## Block diagram



MGB-AP

MGB-AR

## Locking sets MGB-L2-... (guard locking by solenoid force) with 2 controls or indicators



### Details

#### Guard lock monitoring switched off

As the default setting on delivery, the guard lock monitoring is switched off via the internal DIP switches with these evaluation modules. Consequently, the guard locking is suitable only for process protection. Safety outputs FO1A and FO1B do not depend on the state of guard locking.

**Notice:** Devices affected are marked with this symbol.

#### Emergency stop with monitoring contact

Additional normally open contact in the emergency stop, e.g. as monitoring contact for the control system.

#### Lens set

The color of the pushbuttons can be selected using the lens set 120344 included.

### Adhesive labels

Devices with adhesive labels have pre-formed recesses. The adhesive labels enclosed (standard size 12.5 x 27 mm) can be affixed in these recesses.

### Further information

- ▶ Dimension drawings see p. 51
- ▶ Technical data see p. 50
- ▶ Accessories and spare parts see p. 63
- ▶ [www.euchner.com](http://www.euchner.com)

- ▶ Can be connected in series with other AR devices (e.g. CES-AR, CET-AR and CTP-AR)
- ▶ With cable entry or plug connector
- ▶ Integrated controls and indicators

### Ordering table


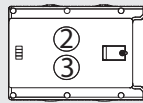
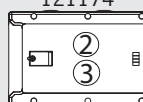
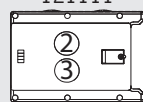


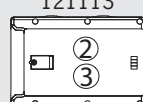
Modules in the set									Ordering data, set	
Version/configuration scheme Order no. separate module	Locking module					Wiring diagram	Handle module Order no. separate module	Escape release Order no. separate module	Door hinge (factory setting)	Order no./item
	S1 H1	S2 H2	S3 H3	S4 H4						
 121024  Guard lock monitoring switched off, incl. adhesive label						A	100464		Right	<b>121025</b> MGB-L2H-ARA-R-121025
		 *)	-	-			106619		Left	
 121064  Guard lock monitoring switched off, incl. adhesive label						B	100464	-	Right	<b>121065</b> MGB-L2H-ARA-R-121065
		 *)	 *)	-			100465		Left	<b>121066</b> MGB-L2HE-ARA-R-121066
121070 							106619	-	Left	<b>121071</b> MGB-L2H-ARA-L-121071
							100465		Left	<b>121072</b> MGB-L2HE-ARA-L-121072

\* The color can be selected using the lens set included.

(Continued on next page)



Ordering table (continued)

Modules in the set							Ordering data, set			
Version/configuration scheme <small>Order no. separate module</small>	Locking module				Wiring diagram	Handle module <small>Order no. separate module</small>	Escape release <small>Order no. separate module</small>	Door hinge <small>(factory setting)</small>	Order no./item	
	S1 H1	S2 H2	S3 H3	S4 H4						
	 121172 Incl. adhesive labels					100464		Right	<b>121173</b> MGB-L2H-ARA-R-121173	
	 121174 Incl. adhesive labels				<b>B</b>	106619		Left	<b>121175</b> MGB-L2H-ARA-L-121175	
	 121111 Incl. adhesive labels	-	 *)	 *)	-		100464		Right	<b>121112</b> MGB-L2H-ARA-R-121112
	 121113 Incl. adhesive labels				<b>C</b>	106619		Left	<b>121114</b> MGB-L2H-ARA-L-121114	

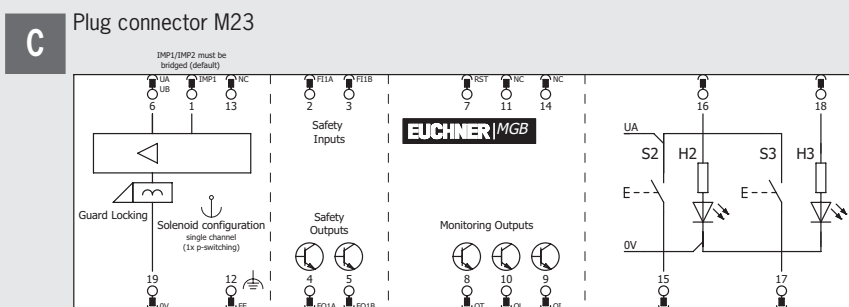
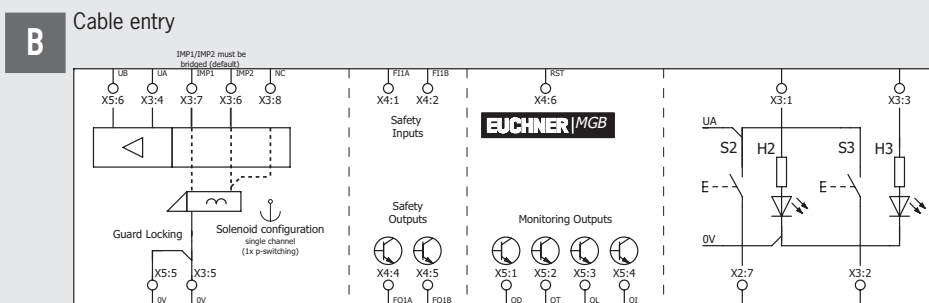
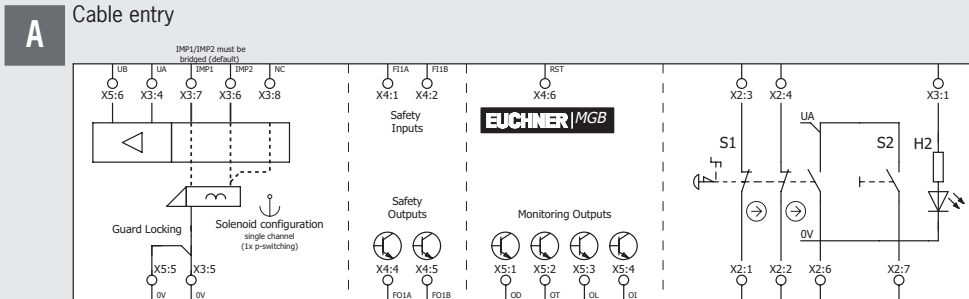
\* The color can be selected using the lens set included.

MGB-AP  
MGB-AR

## Locking sets MGB-L2-... (guard locking by solenoid force) with 2 controls or indicators

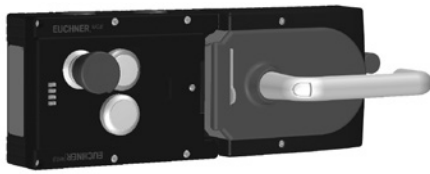


### Block diagram and wiring diagrams for controls and indicators





## Locking sets MGB-L2-... (guard locking by solenoid force) with 3 controls or indicators



- ▶ Can be connected in series with other AR devices (e.g. CES-AR, CET-AR and CTP-AR)
- ▶ With cable entry or plug connector
- ▶ Integrated controls and indicators

### Details

**Emergency stop with monitoring contact**  
Additional normally open contact in the emergency stop, e.g. as monitoring contact for the control system.

**Connection for enabling switch**  
The devices have an M12 plug connector for the direct connection of an enabling switch (e.g. ZSA, order no. 110560).

**Lens set**  
The color of the pushbuttons can be selected using the lens set 120344 included.

**Adhesive labels**  
Devices with adhesive labels have pre-formed recesses. The adhesive labels enclosed (standard size 12.5 x 27 mm) can be affixed in these recesses.

### Machine stop

Version as emergency stop but in gray/yellow, e.g. as machine stop.  
Important: Do not use as emergency stop!

### Further information

- ▶ Dimension drawings see p. 51
- ▶ Technical data see p. 50
- ▶ Accessories and spare parts see p. 63
- ▶ [www.euchner.com](http://www.euchner.com)

### Ordering table

Modules in the set							Ordering data, set		
Version/configuration scheme Order no. separate module	Locking module					Handle module Order no. separate module	Escape release Order no. separate module	Door hinge (factory setting)	Order no./item
	S1 H1	S2 H2	S3 H3	S4 H4	Wiring diagram				
 110544  Plug connector M12 for enabling switch, incl. adhesive labels	-				<b>A</b>	100464	-	Right	<b>110548</b> MGB-L2H-APA-R-110548
	110545  Plug connector M12 for enabling switch, incl. adhesive labels	-				<b>A</b>	106619	-	Left
 121237  Plug connector M12 for enabling switch, incl. adhesive labels	-	-		-	<b>B</b>	100464	-	Right	<b>121238</b> MGB-L2H-ARA-R-121238
	121244  Plug connector M12 for enabling switch, incl. adhesive labels				-	<b>B</b>	100465	Right	<b>121239</b> MGB-L2HE-ARA-R-121239
	-				-	<b>B</b>	106619	Left	<b>121245</b> MGB-L2H-ARA-L-121245
	-				-	<b>B</b>	100465	Left	<b>121246</b> MGB-L2HE-ARA-L-121246

\* The color can be selected using the lens set included.

(Continued on next page)

Ordering table (continued)

Modules in the set							Ordering data, set		
Version/configuration scheme <small>Order no. separate module</small>	Locking module				Wiring diagram	Handle module <small>Order no. separate module</small>	Escape release <small>Order no. separate module</small>	Door hinge <small>(factory setting)</small>	Order no./item
	S1 H1	S2 H2	S3 H3	S4 H4					
121257  Incl. adhesive labels				-	<b>B</b>	100464	-	Right	<b>121258</b> MGB-L2H-ARA-R-121258
121263  Incl. adhesive labels		*)	*)	-		106619		Left	<b>121264</b> MGB-L2H-ARA-L-121264
110708  Incl. adhesive labels				-	<b>C</b>	100464	-	Right	<b>110615</b> MGB-L2H-ARA-R-110615
110709  Incl. adhesive labels		ye	wh	-		106619		Left	<b>110616</b> MGB-L2H-ARA-L-110616
121190  Incl. adhesive labels				-	<b>D</b>	100464	100465	Right	<b>121191</b> MGB-L2HE-ARA-R-121191
121194  Incl. adhesive labels		*)	*)	-		106619		Left	<b>121195</b> MGB-L2HE-ARA-L-121195
111923  Incl. adhesive labels				-	<b>E</b>	100464	-	Right	<b>111924</b> MGB-L2H-ARA-R-111924
111925  Incl. adhesive labels		gn	rd	-		106619		Left	<b>111926</b> MGB-L2H-ARA-L-111926

\* The color can be selected using the lens set included.

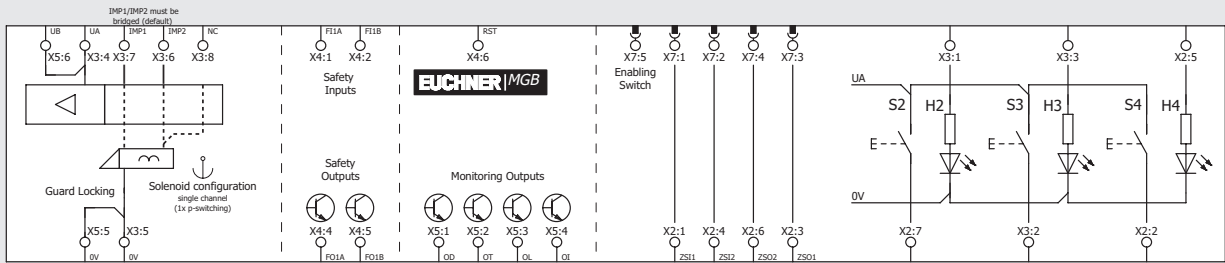
MGB-AP  
MGB-AR

## Locking sets MGB-L2-... (guard locking by solenoid force) with 3 controls or indicators

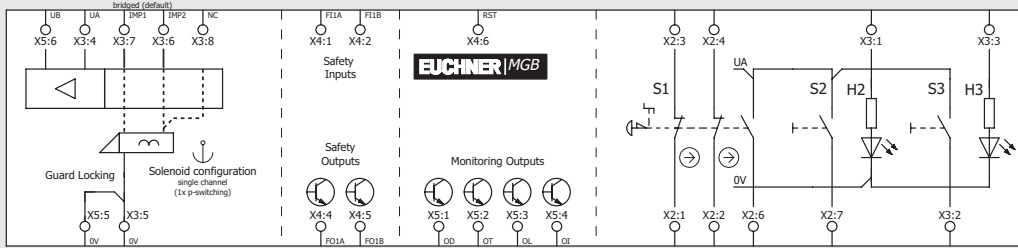


### Block diagram and wiring diagrams for controls and indicators

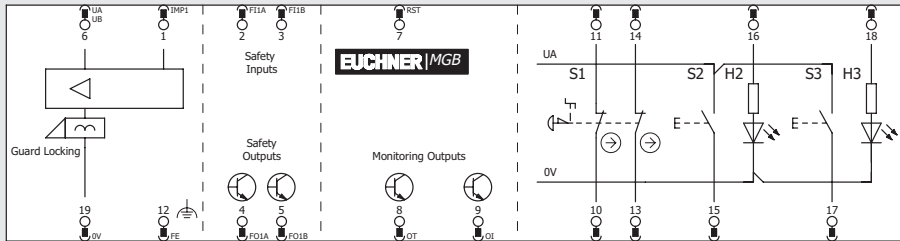
**A** Cable entry



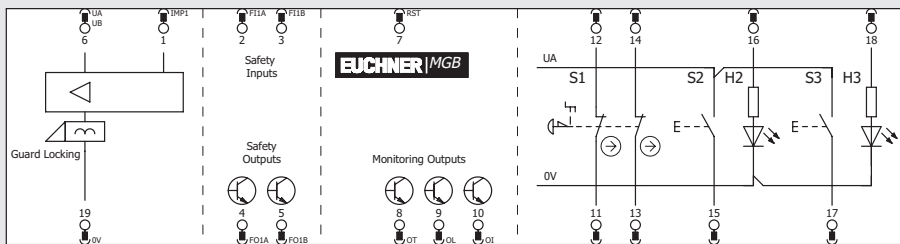
**B** Cable entry



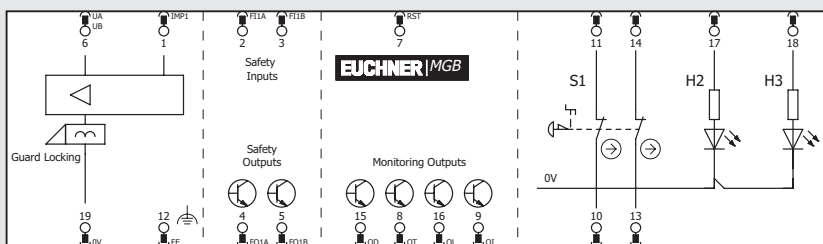
**C** Plug connector M23



**D** Plug connector M23



**E** Plug connector M23

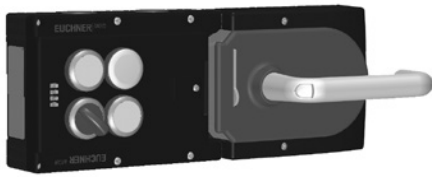
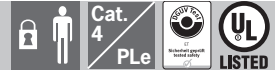




MGB-AP

MGB-AR

## Locking sets MGB-L2-... (guard locking by solenoid force) with 4 controls or indicators



### Details

#### Lens set

The color of the pushbuttons can be selected using the lens set 120344 included.

#### Adhesive labels

Devices with adhesive labels have pre-formed recesses. The adhesive labels enclosed (standard size 12.5 x 27 mm) can be affixed in these recesses.

#### Key-operated switch form V

Form V, 40° angle of rotation with 2 positions. The key latches in position 0 and can be removed in position 1.

#### Selector switch


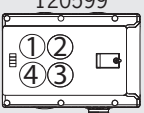





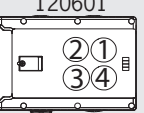

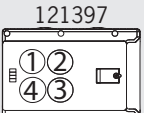





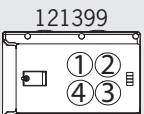
Selector switch with 2 positions (form V, 90°). The switch latches in both positions.

### Further information

- ▶ Dimension drawings see p. 51
- ▶ Technical data see p. 50
- ▶ Accessories and spare parts see p. 63
- ▶ [www.euchner.com](http://www.euchner.com)

- ▶ Can be connected in series with other AR devices (e.g. CES-AR, CET-AR and CTP-AR)
- ▶ With cable entry or plug connector
- ▶ Integrated controls and indicators

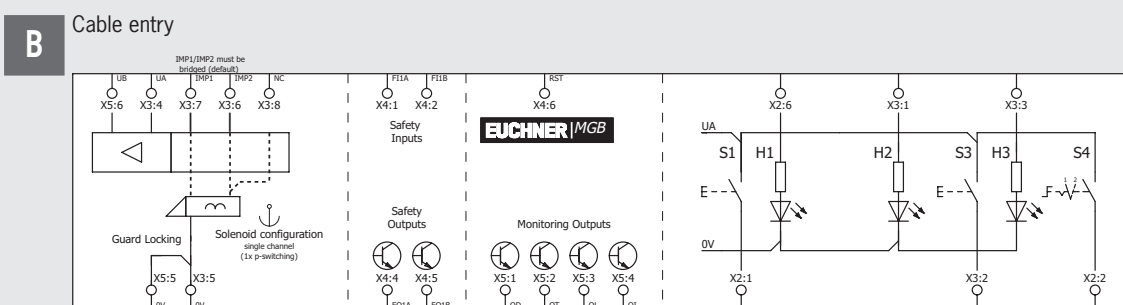
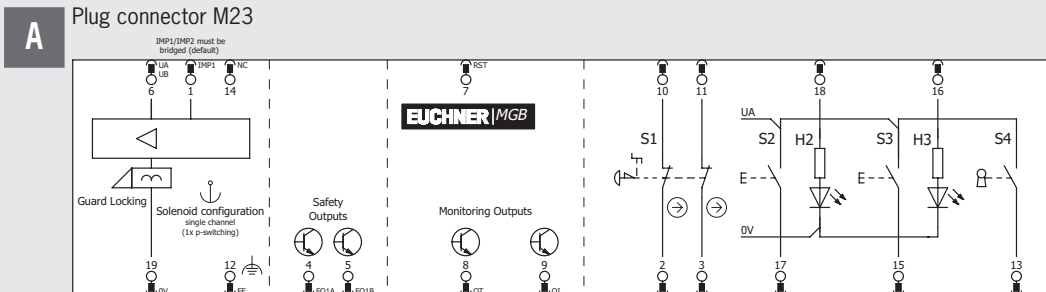
### Ordering table

Modules in the set							Ordering data, set			
Version/configuration scheme Order no. separate module	Locking module					Wiring diagram	Handle module Order no. separate module	Escape release Order no. separate module	Door hinge (factory setting)	Order no./item
	S1 H1	S2 H2	S3 H3	S4 H4						
 120599  Incl. adhesive labels IP 54		 *)	 *)	 Form V 40°	 A	111157	100465	Right	<b>120600</b> MGB-L2HE-APA-R-120600	
						120601  Incl. adhesive labels IP 54		111158		Left
 121397 	 *)	 ye	 *)	 Form V 90°	 B	100464	-	Right	<b>121398</b> MGB-L2H-ARA-R-121398	
						121399 		106619		Left

\* The color can be selected using the lens set included.



## Block diagram and wiring diagrams for controls and indicators



MGB-AP

MGB-AR

## Technical data

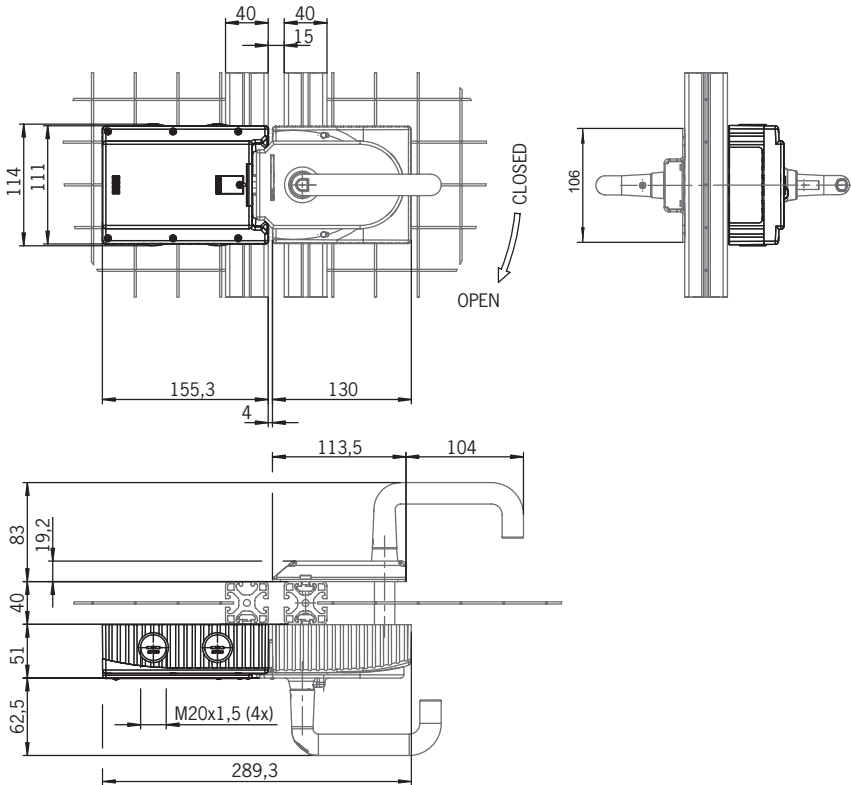
Parameter	Value	Unit
Housing material	Fiber glass reinforced plastic die-cast zinc, nickel-plated Stainless steel	
Dimensions	See dimension drawing	
Weight		
Locking module	0.75	kg
Handle module	1.00	
Escape release	0.50	
Ambient temperature at $U_B = DC 24 V$	-20 ... +55	°C
Degree of protection		
Cover not populated/populated with pushbuttons/ indicators	IP 65 IP 54	
Cover populated with key-operated switch		
Safety class	III	
Degree of contamination	3	
Installation position	Any	
Locking force $F_{zh}$ in accordance with GS-ET-19	2000	N
Connection	4 cable entries M20x1.5 or plug connector	
Conductor cross-section (rigid/flexible)	0.13 ... 1.5 (AWG 24 ... AWG 16)	mm <sup>2</sup>
- With ferrule according to DIN 46 228/1	0.25 ... 1.5	
- With ferrule with collar according to DIN 46228/1	0.25 ... 0.75	
Operating voltage $U_B$ (reverse polarity protected, regulated, residual ripple < 5%)	24 +10% / -15% (PELV)	V DC
Auxiliary voltage $U_A$ (reverse polarity protected, regulated, residual ripple < 5%)	24 +10% / -15% (PELV)	V DC
Current consumption $I_{UB}$ (no load on any outputs)	80	mA
Current consumption $I_{UA}$ - With energized guard locking solenoid and unloaded outputs OI, OL, OT and OD - Pushbutton S (unloaded, per LED)	350 5	mA
External fuse	See operating instructions	
Safety outputs FO1A/FO1B	Semiconductor outputs, p-switching, short circuit-proof	
Test duration after power on	AR < 1000 / AP < 300	µs
Output voltage $U_{FO1A} / U_{FO1B}$ <sup>1)</sup>		
HIGH $U_{FO1A} / U_{FO1B}$	$U_B - 2V \dots U_B$	V DC
LOW $U_{FO1A} / U_{FO1B}$	0 ... 1	
Switching current per safety output	1 ... 200	mA
Utilization category according to EN IEC 60947-5-2	DC-13 24 V 200 mA Caution: outputs must be protected with a free-wheeling diode in case of inductive loads.	
Monitoring outputs - Output voltage <sup>1)</sup> - Max. load	p-switching, short circuit-proof $U_A - 2V \dots U_A$ Max. 50	mA
Rated insulation voltage $U_i$	30	V
Rated impulse withstand voltage $U_{imp}$	1.5	kV
Resilience to vibration	Acc. to EN IEC 60947-5-3	
Switching frequency	0.25	Hz
EMC protection requirements	Acc. to EN IEC 60947-5-3	
<b>Reliability values acc. to EN ISO 13849-1</b>		
Category	4	
Performance Level	PL e	
$PFH_d$	$3.1 \times 10^{-9} / h$ <sup>2)</sup>	
Mission time	20	years
<b>Controls and indicators</b>		
Operating voltage	5 ... 24	V
Operating current	1 ... 100	mA
Breaking capacity max.	250	mW
Power supply LED	24	V DC

1) Values at a switching current of 50 mA without taking into account the cable length.

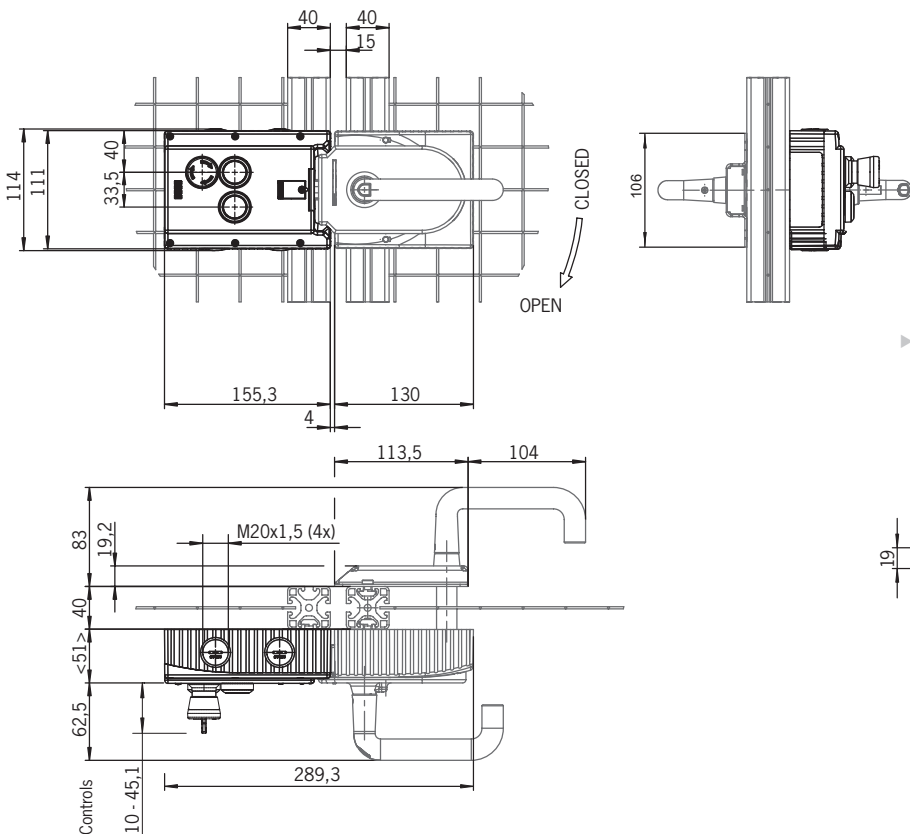
2) Applying the limit value from EN ISO 13849-1:2008, section 4.5.2 ( $MTTF_d = \max. 100 \text{ years}$ ), the employers' liability insurance association certifies a  $PFH_d$  of max.  $2.47 \times 10^{-8}$ .

## Dimension drawings

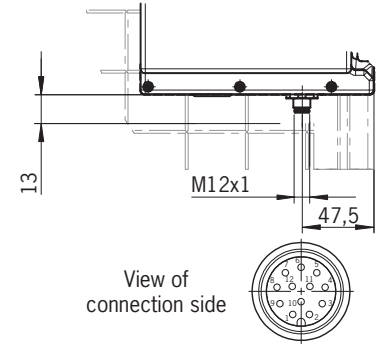
### ► MGB-... without additional controls and indicators



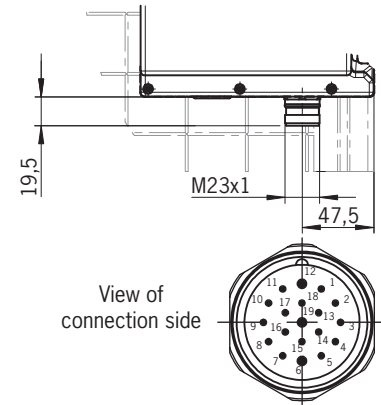
### ► MGB-... with additional controls and indicators



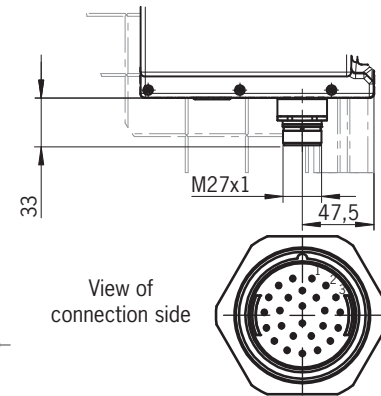
### ► Plug connector M12



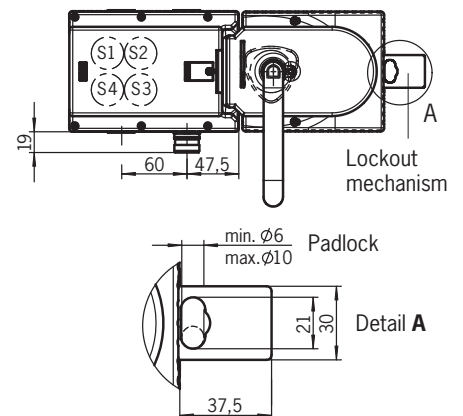
### ► Plug connector M23



### ► Plug connector RC26



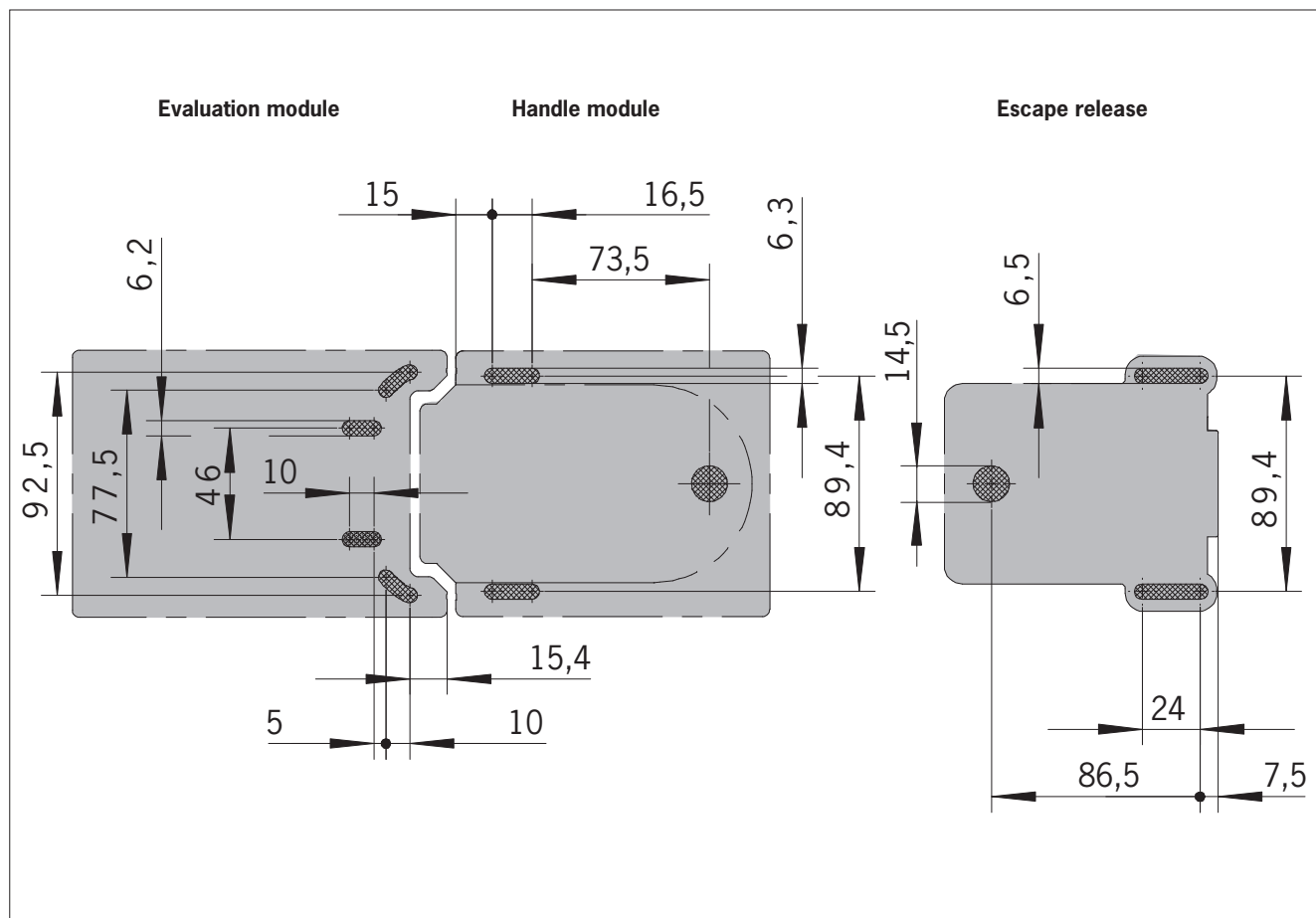
### ► Dimensions with plug connector M23 and automatically extending lockout mechanism (optional)



MGB-AP

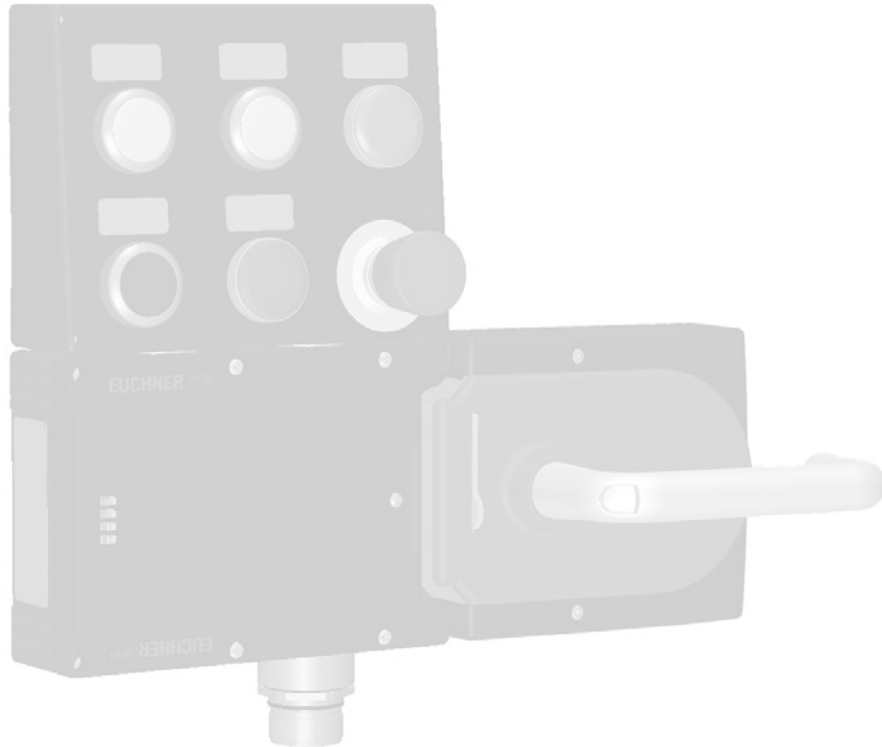
MGB-AR

Drilling pattern



**Complete sets system family MGB-AR with control module MGB-C**

- ▶ Interlocking or guard locking with handle module
- ▶ With pushbuttons and emergency stop
- ▶ With plug connectors



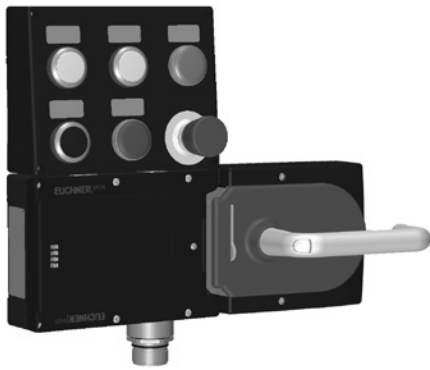
MGB-AR

<b>Interlocking sets MGB-LOC-AR... (without guard locking)</b>	<b>54</b>
with 6 controls and indicators	54
<b>Locking sets MGB-L1C-AR... (guard locking by spring force)</b>	<b>56</b>
with 6 controls and indicators	56
<b>Locking sets MGB-L2C-AR... (guard locking by solenoid force)</b>	<b>58</b>
with 6 controls and indicators	58
<b>Technical data</b>	<b>60</b>
<b>Dimension drawings</b>	<b>61</b>

## Interlocking sets MGB-LOC-AR... with 6 controls or indicators



Cat.  
4  
PLe



### Details

#### Adhesive labels

Devices with adhesive labels have pre-formed recesses. The adhesive labels enclosed (standard size 12.5 x 27 mm) can be affixed in these recesses.

#### Emergency stop with monitoring contact

Additional normally open contact in the emergency stop, e.g. as monitoring contact for the control system.

### Further information

- ▶ Dimension drawings see p. 61
- ▶ Technical data see p. 60
- ▶ Accessories and spare parts see p. 63
- ▶ [www.euchner.com](http://www.euchner.com)

- ▶ With control module MGB-C
- ▶ Can be connected in series with other AR devices (e.g. CES-AR, CET-AR and CTP-AR)
- ▶ With plug connector

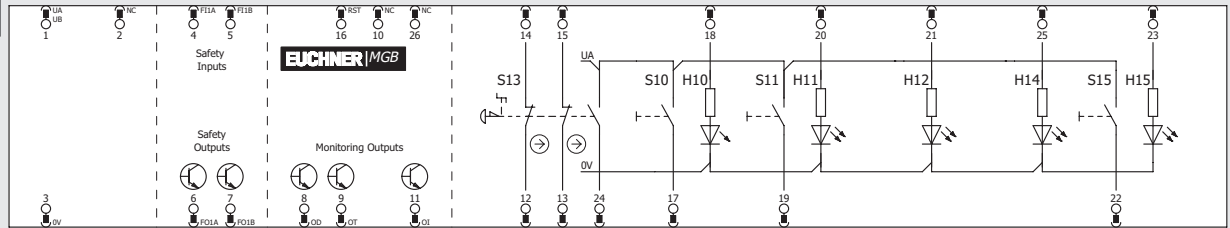
### Ordering table

Modules in the set								Ordering data, set			
Version/ configuration scheme Order no. separate module	Locking module with control module						Wiring diagram	Handle module Order no. separate module	Escape release Order no. separate module	Door hinge (factory setting)	Order no./item
	S10 H10	S11 H11	S12 H12	S13 H13	S14 H14	S15 H15					
110259 								111157		Right	<b>110255</b> MGB-LOHC-ARA-R-110255
Incl. adhesive labels 110260 							<b>A</b>	111158		Left	<b>110256</b> MGB-LOHC-ARA-L-110256

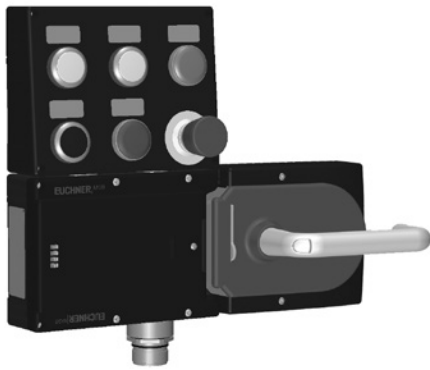
## Block diagram

**A**

Plug connector RC26



## Locking sets MGB-L1C-AR... (guard locking by spring force) with 6 controls or indicators



### Details

#### Adhesive labels

Devices with adhesive labels have pre-formed recesses. The adhesive labels enclosed (standard size 12.5 x 27 mm) can be affixed in these recesses.

#### Emergency stop with monitoring contact

Additional normally open contact in the emergency stop, e.g. as monitoring contact for the control system.

### Further information

- ▶ Dimension drawings see p. 61
- ▶ Technical data see p. 60
- ▶ Accessories and spare parts see p. 63
- ▶ [www.euchner.com](http://www.euchner.com)

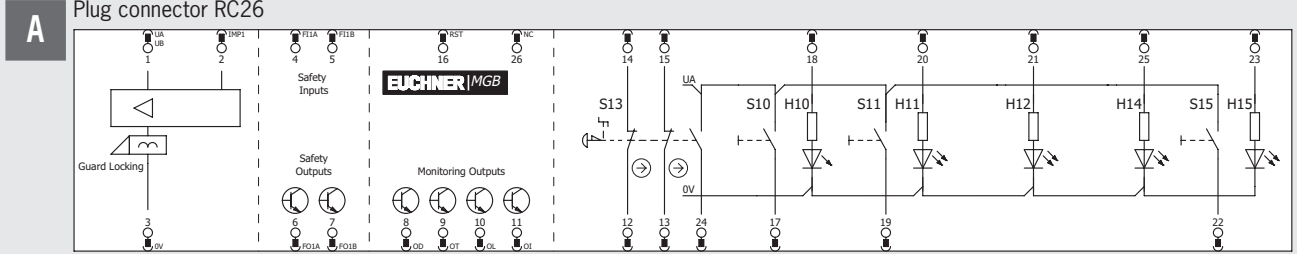
- ▶ With control module MGB-C
- ▶ Can be connected in series with other AR devices (e.g. CES-AR, CET-AR and CTP-AR)
- ▶ With plug connector

### Ordering table

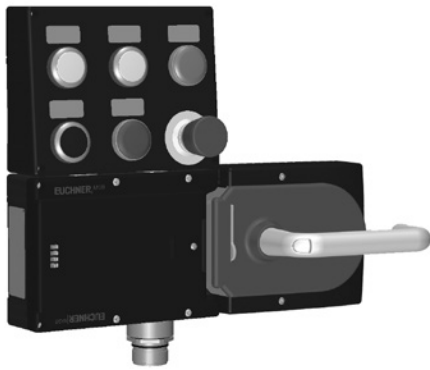
Modules in the set								Ordering data, set			
Locking module with control module								Handle module Order no. separate module	Escape release Order no. separate module	Door hinge (factory setting)	Order no./item
Version/ configuration scheme Order no. separate module	S10 H10	S11 H11	S12 H12	S13 H13	S14 H14	S15 H15	Wiring diagram				
109798 								111157		Right	<b>109806</b> MGB-L1HC-ARA-R-109806
AR 109799 							<b>A</b>				
Incl. adhesive labels	wh	wh	gn		rd	bu		111158		Left	<b>109807</b> MGB-L1HC-ARA-L-109807
Incl. adhesive labels											



Block diagram



## Locking sets MGB-L2C-AR... (guard locking by solenoid force) with 6 controls or indicators



### Details

#### Adhesive labels

Devices with adhesive labels have pre-formed recesses. The adhesive labels enclosed (standard size 12.5 x 27 mm) can be affixed in these recesses.

#### Emergency stop with monitoring contact

Additional normally open contact in the emergency stop, e.g. as monitoring contact for the control system.

### Further information

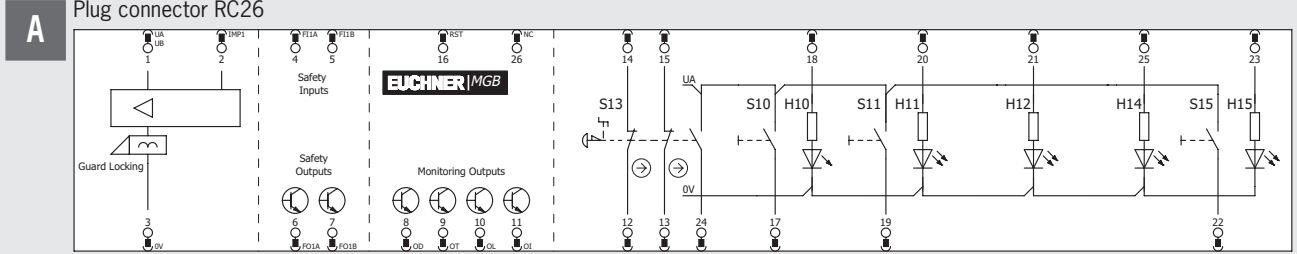
- ▶ Dimension drawings see p. 61
- ▶ Technical data see p. 60
- ▶ Accessories and spare parts see p. 63
- ▶ [www.euchner.com](http://www.euchner.com)

- ▶ With control module MGB-C
- ▶ Can be connected in series with other AR devices (e.g. CES-AR, CET-AR and CTP-AR)
- ▶ With plug connector

### Ordering table

Modules in the set								Ordering data, set			
Version/ configuration scheme Order no. separate module	Locking module with control module						Wiring diagram	Handle module Order no. separate module	Escape release Order no. separate module	Door hinge (factory setting)	Order no./item
	S10 H10	S11 H11	S12 H12	S13 H13	S14 H14	S15 H15					
112529 								111157		Right	<b>112531</b> MGB-L2HC-ARA-R-112531
Incl. adhesive labels AR	⊗	⊗	⊗		⊗	⊗	<b>A</b>				
112530 								111158		Left	<b>112532</b> MGB-L2HC-ARA-L-112532
Incl. adhesive labels	wh	wh	gn		rd	bu					

Block diagram



## Technical data

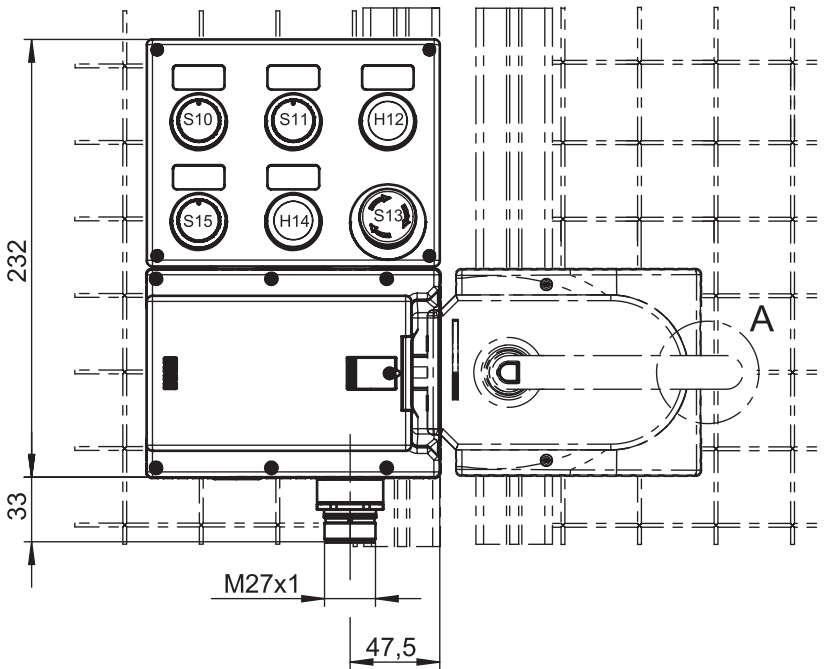
Parameter	Value	Unit
Housing material	Fiber glass reinforced plastic Die-cast zinc, nickel-plated Stainless steel	
Dimensions	See dimension drawing	
Weight		
Locking module	0.75	kg
Handle module	1.00	
Escape release	0.50	
Ambient temperature at $U_B = DC 24 V$	-20 ... +55	°C
Degree of protection		
Cover not populated/populated with pushbuttons/ indicators	IP 65 IP 54	
Cover populated with key-operated switch		
Safety class	III	
Degree of contamination	3	
Installation position	Any	
Locking force $F_{zh}$ in accordance with GS-ET-19	2000	N
Connection	4 cable entries M20x1.5 or plug connector	
Conductor cross-section (rigid/flexible)	0.13 ... 1.5 (AWG 24 ... AWG 16)	mm <sup>2</sup>
- With ferrule according to DIN 46 228/1	0.25 ... 1.5	
- With ferrule with collar according to DIN 46228/1	0.25 ... 0.75	
Operating voltage $U_B$ (reverse polarity protected, regulated, residual ripple < 5%)	24 +10% / -15% (PELV)	V DC
Auxiliary voltage $U_A$ (reverse polarity protected, regulated, residual ripple < 5%)	24 +10% / -15% (PELV)	V DC
Current consumption $I_{UB}$ (no load on any outputs)	80	mA
Current consumption $I_{UA}$ - With energized guard locking solenoid and unloaded outputs OI, OL, OT and OD - Pushbutton S (unloaded, per LED)	350 5	mA
External fuse	See operating instructions	
Safety outputs FO1A/FO1B	Semiconductor outputs, p-switching, short circuit-proof	
Test duration after power on	AR < 1000 / AP < 300	µs
Output voltage $U_{FO1A} / U_{FO1B}^{1)}$		
HIGH $U_{FO1A} / U_{FO1B}$	$U_B - 2V ... U_B$	V DC
LOW $U_{FO1A} / U_{FO1B}$	0 ... 1	
Switching current per safety output	1 ... 200	mA
Utilization category according to EN IEC 60947-5-2	DC-13 24 V 200 mA Caution: outputs must be protected with a free-wheeling diode in case of inductive loads.	
Monitoring outputs - Output voltage <sup>1)</sup> - Max. load	p-switching, short circuit-proof $U_A - 2V ... U_A$ Max. 50	mA
Rated insulation voltage $U_i$	30	V
Rated impulse withstand voltage $U_{imp}$	1.5	kV
Resilience to vibration	Acc. to EN IEC 60947-5-3	
Switching frequency	0.25	Hz
EMC protection requirements	Acc. to EN IEC 60947-5-3	
<b>Reliability values acc. to EN ISO 13849-1</b>		
Category	4	
Performance Level	PL e	
$PFH_d$	$3.1 \times 10^{-9} / h^{2)}$	
Mission time	20	years
<b>Controls and indicators</b>		
Operating voltage	5 ... 24	V
Operating current	1 ... 100	mA
Breaking capacity max.	250	mW
Power supply LED	24	V DC

1) Values at a switching current of 50 mA without taking into account the cable length.

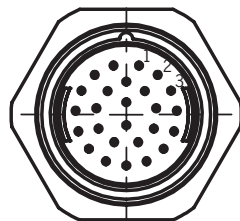
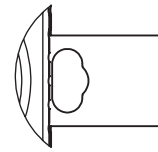
2) Applying the limit value from EN ISO 13849-1:2008, section 4.5.2 (MTTF<sub>d</sub> = max. 100 years), the employers' liability insurance association certifies a PFH<sub>d</sub> of max.  $2.47 \times 10^{-8}$ .

## Dimension drawings

### ► MGB-L.HC-AR



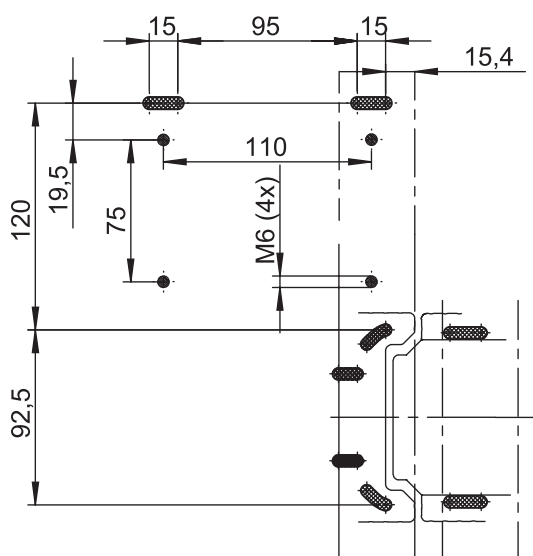
Detail A



Plug connector RC26

View of connection side

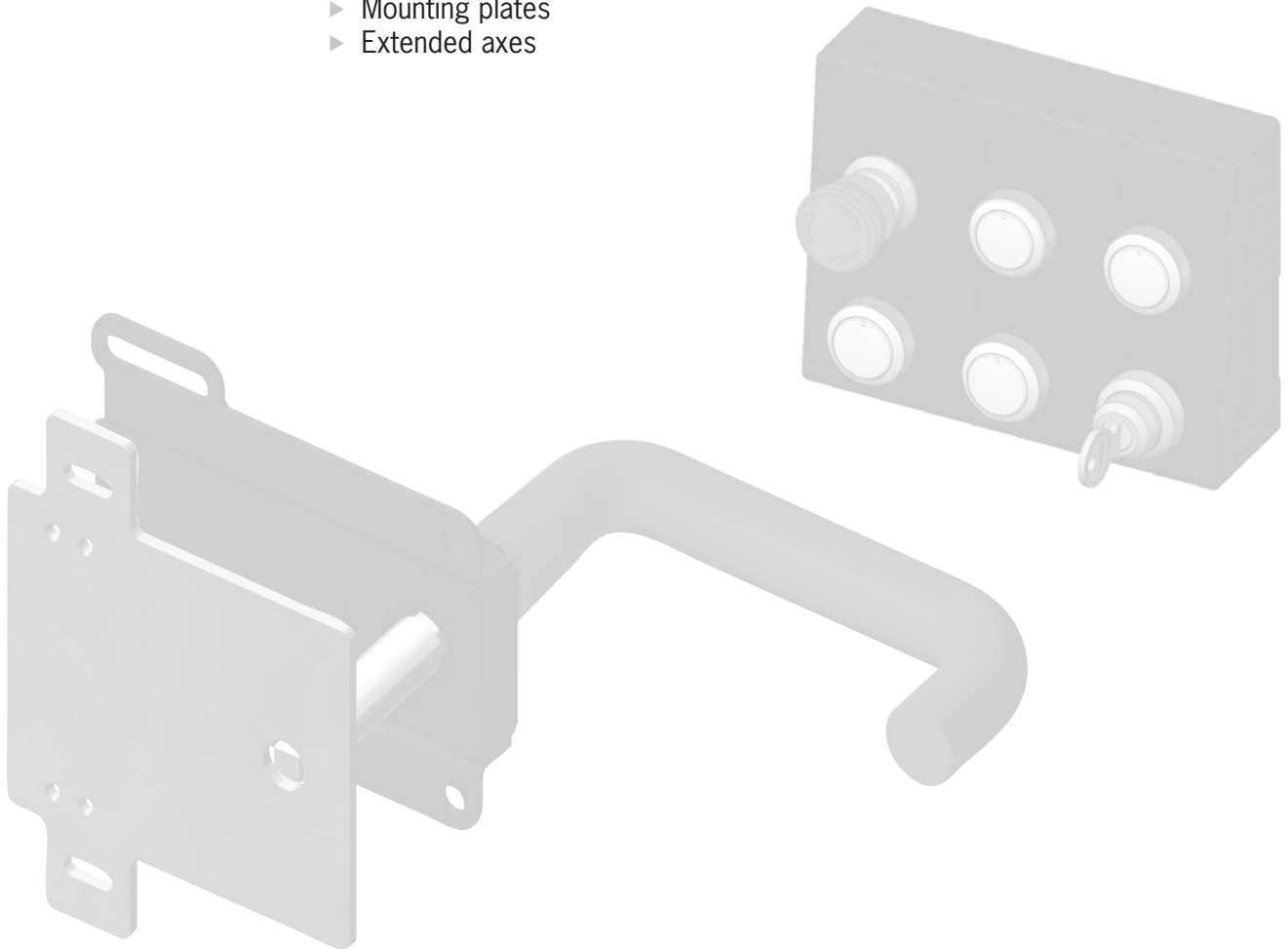
## Drilling pattern





**Accessories and spare parts for all MGB families**

- ▶ Plug connectors and cables
- ▶ Emergency unlocking for auxiliary release
- ▶ Adhesive labels
- ▶ Mounting plates
- ▶ Extended axes



<b>Handle module MGB-H...</b>	<b>64 - 66</b>
<b>Escape release MGB-E...</b>	<b>68</b>
<b>Emergency unlocking for auxiliary release/adhesive labels</b>	<b>69</b>
<b>Lens sets</b>	<b>70</b>
<b>Mounting plates for modules MGB-...-AR and MGB-...-AP</b>	<b>71 - 72</b>
<b>Plug connectors/ connection cables</b>	<b>73 - 76</b>
<b>Control modules MGB-C</b>	<b>77 - 83</b>
Dimension drawing and configuration example	79
Overview, controls and indicators	80
Combination options	81
Spare parts and accessories	82
Technical data	83

## Handle module MGB-H-... (from V3.0.0)



- ▶ Intelligent bolt tongue with transponder
- ▶ Fold-out lockout mechanism
- ▶ Door handle



### Bolt tongue

The bolt tongue is reliably detected by transponder as soon as it is inserted in the evaluation module.

### Lockout mechanism (fold-out)

For cleaning and service on the machine, the bolt tongue can be locked with max. 3 padlocks. The lockout mechanism is simply folded out and prevents the operation of the handle.

### Door handle

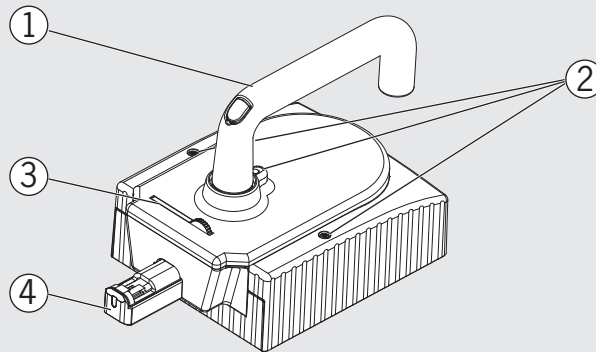
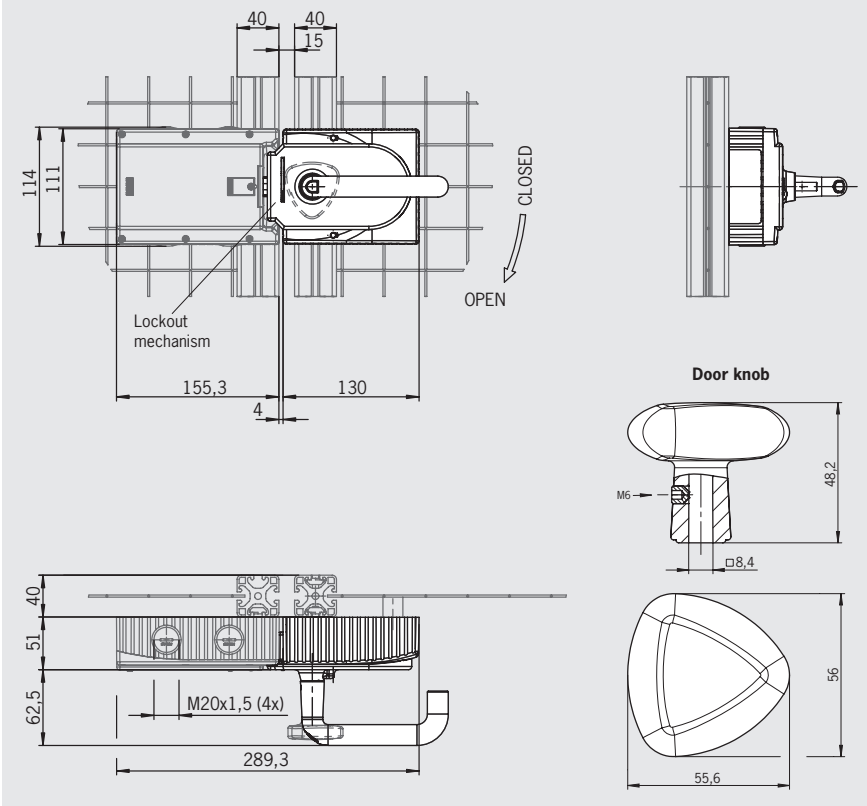
The MGB has a robust door handle that can be rotated in 90° steps to suit all installations. The actuating direction can be changed very easily for doors hinged on the left or right.

### Door knob

As an alternative to the door handle, the handle module can also be equipped with a door knob.

## Handle module MGB-H-... (from V3.0.0) with fold-out lockout mechanism

Dimension drawing (diagram shows door hinged on the right)



Scope of delivery:

- ① Door handle
- ② Locking pins for housing cover and handle adjustment
- ③ Lockout mechanism
- ④ Bolt tongue



## Ordering table handle module from V3.0.0

Series	Version	Order no./item
<b>MGB-H...</b> Handle module right	With door handle and <b>fold-out</b> lockout mechanism, black housing with red cover	<b>100464</b> MGB-HAA1A1-R-100464
	With door handle and <b>fold-out</b> lockout mechanism, <b>can be locked using escape release</b> , black housing with red cover	<b>114655</b> MGB-HAA1B1-R-114655
	With door knob and <b>fold-out</b> lockout mechanism, black housing with red cover	<b>113201</b> MGB-HAA1A7-R-113201
<b>MGB-H...</b> Handle module left	With door handle and <b>fold-out</b> lockout mechanism, black housing with red cover	<b>106619</b> MGB-HAA1A1-L-106619
	With door handle and <b>fold-out</b> lockout mechanism, <b>can be locked using escape release</b> , black housing with red cover	<b>114656</b> MGB-HAA1B1-L-114656
	With door knob and <b>fold-out</b> lockout mechanism, black housing with red cover	<b>121478</b> MGB-HAA1A7-L-121478
<b>Door handle</b> Aluminum, silver anodized	From MGB-H V3.0.0	<b>123926</b> MGB-A-DOORHANDLE-S2-123926
<b>Door knob</b> Aluminum, silver anodized	From MGB-H V3.0.0	<b>124030</b> MGB-A-DOORKNOB-S2-124030

## Ordering table accessories for handle module up to V2.0.0

Series	Version	Order no./item
<b>Door handle</b> Aluminum, silver anodized	Up to MGB-H V2.0.0	<b>110277</b> MGB-A-DOORHANDLE-S-110277
<b>Door knob</b> Aluminum, silver anodized	Up to MGB-H V2.0.0	<b>111460</b> MGB-A-DOORKNOB-111460

Handle module MGB-H... with automatically extending lockout mechanism (from V3.0.0)



- ▶ Intelligent bolt tongue with transponder
- ▶ Fold-out lockout mechanism (as on standard version)
- ▶ Second automatically extending lockout mechanism
- ▶ Door handle



**Bolt tongue**

The bolt tongue is reliably detected by transponder as soon as it is inserted in the evaluation module.

**Lockout mechanism (automatically extending and fold-out)**

For cleaning and service on the machine, the bolt tongue can be locked with max. 3 padlocks. The lockout mechanism extends automatically on the actuation of the handle and prevents the operation of the handle in the safe state. In addition, the fold-out lockout mechanism can be used.

**Door handle**

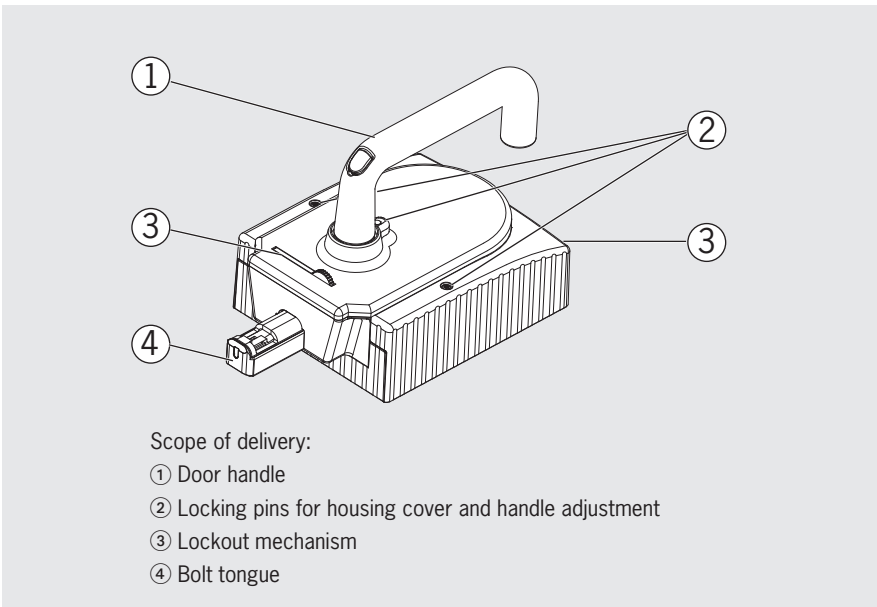
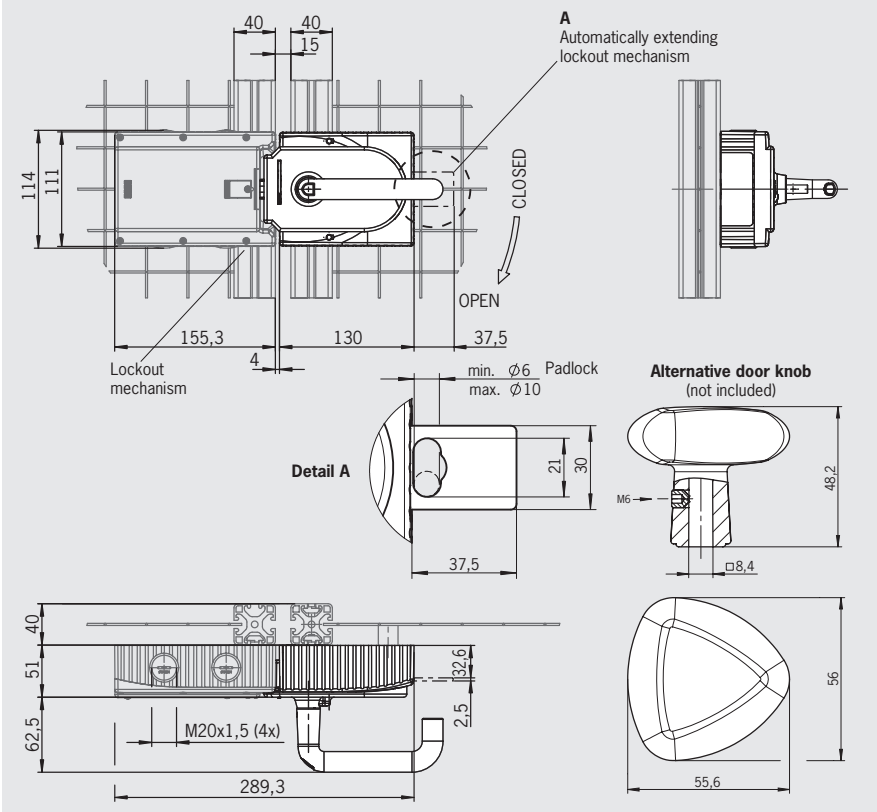
The MGB has a robust door handle that can be rotated in 90° steps to suit all installations. The actuating direction can be changed very easily for doors hinged on the left or right.

**Door knob**

As an alternative to the door handle, the handle module can also be equipped with a door knob.

Handle module MGB-H... (from V3.0.0) with automatically extending lockout mechanism

Dimension drawing (diagram shows door hinged on the right)



## Ordering table

Series	Version	Order no./item
<b>MGB-H...</b> Handle module right	With <b>fold-out</b> and also second <b>automatically extending</b> lockout mechanism, black housing with red cover	<b>111157</b> MGB-H-AA1A3-R-111157
	With door handle and <b>fold-out</b> lockout mechanism, <b>can be locked using escape release</b> , black housing with red cover	<b>116813</b> MGB-H-AA1B2-R-116813
<b>MGB-H...</b> Handle module left	With <b>fold-out</b> and also second <b>automatically extending</b> lockout mechanism, black housing with red cover	<b>111158</b> MGB-H-AA1A3-L-111158
	With door handle and <b>fold-out</b> lockout mechanism, <b>can be locked using escape release</b> , black housing with red cover	<b>116814</b> MGB-H-AA1B2-L-116814
<b>Door handle</b> Aluminum, silver anodized	From MGB-H V3.0.0	<b>123926</b> MGB-A-DOORHANDLE-S2-123926
<b>Door knob</b> Aluminum, silver anodized	From MGB-H V3.0.0	<b>124030</b> MGB-A-DOORKNOB-S2-124030

## Escape release module MGB-E...



► Door handle red



### Escape release

The safety system MGB can be equipped with an escape release module. The escape release enables people shut in to open the guard locked door from the danger zone. It is only necessary to actuate the door handle.

The actuating direction automatically adapts to the actuating direction of the handle module and does not need to be changed.

The actuation axis supplied is suitable for profiles up to 40 mm.

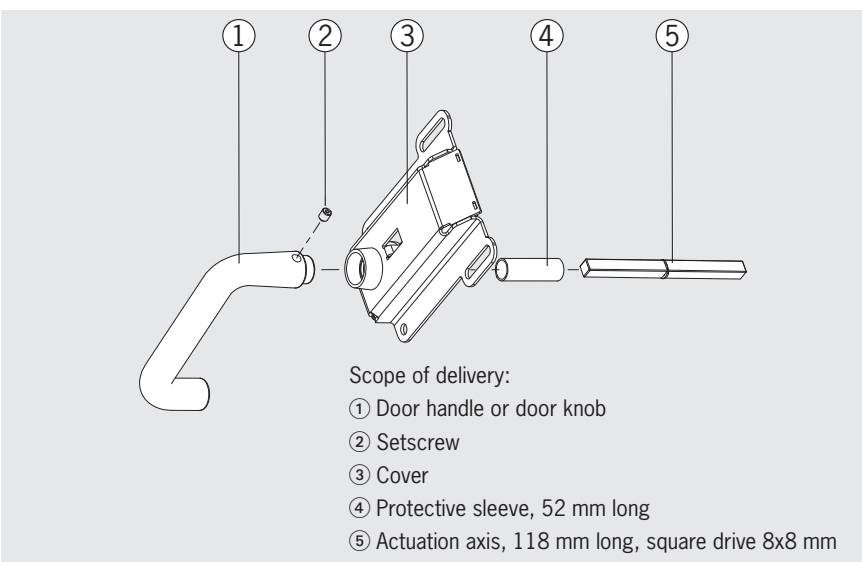
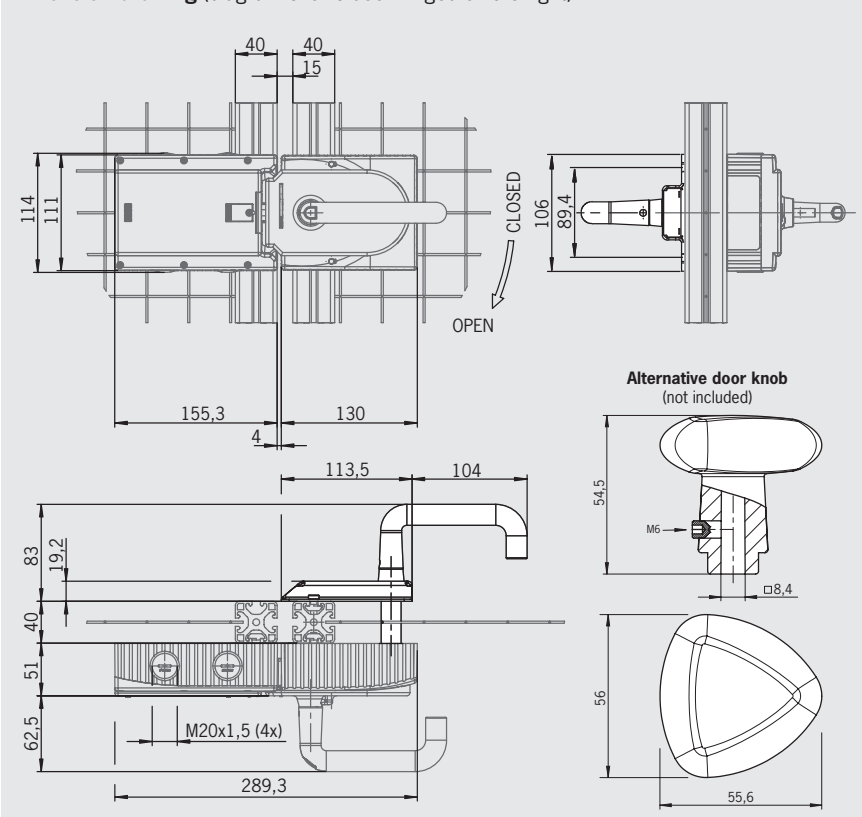
### Extended actuation axis

Optionally, a 250-mm long actuation axis (instead of 110 mm) can be ordered for thicker doors or profiles > 40 mm.

The axis can be shortened to the required dimension.

## Escape release module MGB-E...

Dimension drawing (diagram shows door hinged on the right)



### Ordering table

Series / designation	Version	Order no./item
<b>MGB-E...</b> Escape release	With red handle, 110 mm long	<b>100465</b> MGB-E-A-100465
	With red knob 110 mm long	<b>117126</b> MGB-E-A7-117126
<b>Extended actuation axis</b>	250 mm long, square 8 x 8 mm (with protective sleeve, 182 mm long)	<b>106761</b> MGB-A-ESCAPERELEASESHAFT 250
<b>Escape release MGB-E-A-100465</b> Pre-assembled on mounting plate	With red handle, 118 mm long	<b>106051</b> MGB-E-A2-106051
Door handle	Aluminum, red stove enameled	<b>110276</b> MGB-A-DOORHANDLE-R-110276
Door knob	Aluminum, red stove enameled	<b>114904</b> MGB-A-DOORKNOB-114904

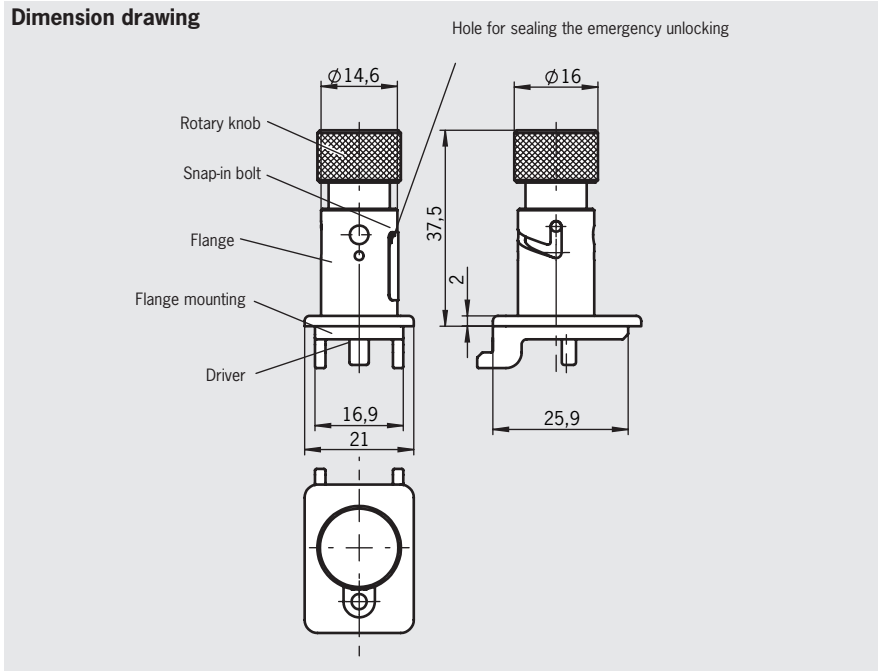
**Emergency unlocking for auxiliary release/adhesive labels**

► **Emergency unlocking**

**Function**

The MGB can be unlocked manually using the emergency unlocking. The rotary knob is pushed and then turned by 90° to unlock. The snap-in bolt engages in the hole on the flange. To release the emergency unlocking, push the snap-in bolt inward and simultaneously turn the rotary knob back to its initial position. The emergency unlocking can be sealed in the free position.

**Emergency unlocking MGB-A...**

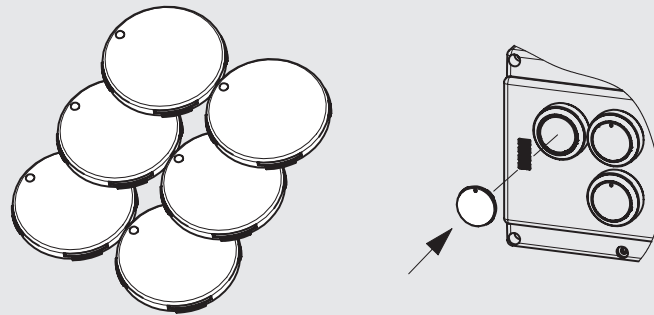


**Ordering table**

Series / designation	Usage/color	Order no./item
<b>Emergency unlocking</b> Sealable	For auxiliary release evaluation modules MGB	<b>112989</b> MGB-A-EMERGENCYRELEASE-112989
<b>Lead seal kit</b>	For emergency unlocking	<b>087256</b> Lead seal kit C1937
<b>Adhesive labels</b> Silver, blank (packaging unit 10 pcs.)	For evaluation modules MGB	<b>114529</b> MGB-A-PLATESET-NN01-114529
<b>Screw set</b> (packaging unit 5 pcs.)	For MGB cover	<b>156331</b> MGB-A-SCREW-156331/V5

**Lens sets**

**Lens set**



**Ordering table**

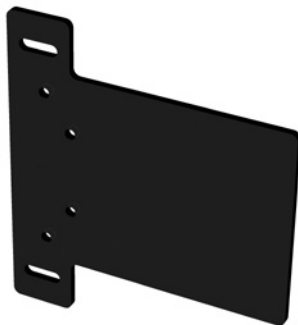
Series / designation	Usage/color		Order no./item
<b>Lens set</b> 3 pcs.	1 x GN Ⓞ 1 x WH Ⓢ	1 x YE ▲	<b>126158</b> MGB-ALENSSET-SY03-126158
<b>Lens sets</b> 6 pcs.	2 x WH / 1 x BU / 1 x YE / 1 x GN / 1 x RD		<b>120344</b> MGB-ALENSSET-0001-120344
	1 x WH / 1 x BU / 1 x YE / 1 x GN / 1 x RD / 1 x BK		<b>120378</b> MGB-ALENSSET-0002-120378
	1 x WH Ⓢ 1 x GN Ⓢ 1 x WH	1 x WH Ⓢ 1 x WH Ⓢ 1 x WH Ⓢ	<b>120377</b> MGB-ALENSSET-SY01-120377
<b>Lens set</b> 15 pcs.	1 x WH Ⓢ 1 x WH Ⓢ 2 x WH Ⓢ 1 x WH OK 1 x WH Ⓢ <sub>2</sub>	4 x BK 1 x WH Ⓢ 2 x WH ↓ 1 x WH ✓ 1 x WH Ⓢ <sub>2</sub>	<b>125359</b> MGB-ALENSSET-SY02-125359

## Mounting plates for modules MGB-...-AR... and MGB-...-AP...

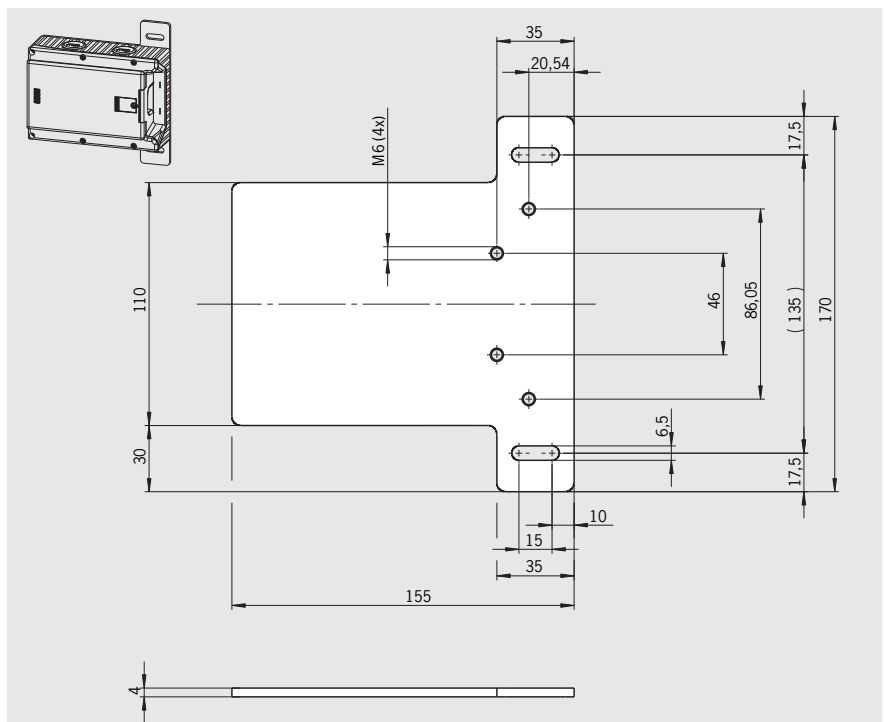
- ▶ Easy and quick mounting (only two screws required)
- ▶ Quick module replacement
- ▶ Robust stainless steel plate
- ▶ Suitable for doors hinged on the right or left

### Mounting plate for evaluation module

Suitable for all interlocking or locking modules in the system families AR and AP. Two screws are sufficient for fastening the mounting plates.  
**Important:** Only use if the handle module is also fastened to a mounting plate.



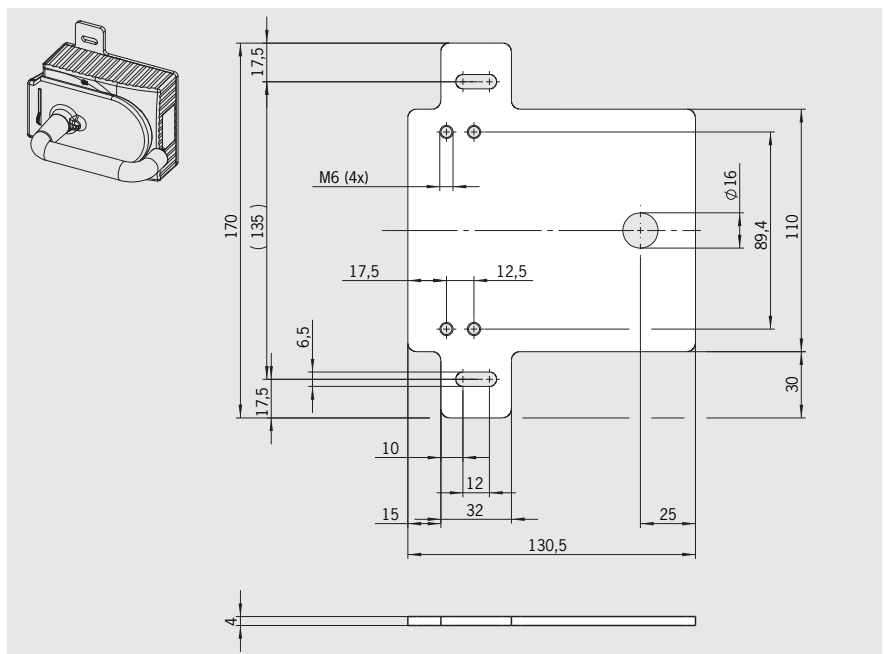
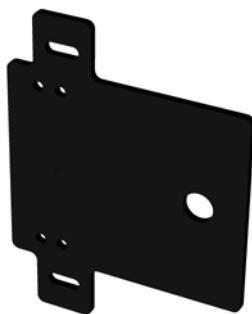
### Mounting plate for evaluation module



### Mounting plate for handle modules

### Mounting plate for handle module

Suitable for all MGB handle modules. Two screws are sufficient for fastening the mounting plates.  
**Important:** Only use if the evaluation module is also fastened to a mounting plate.



### Ordering table

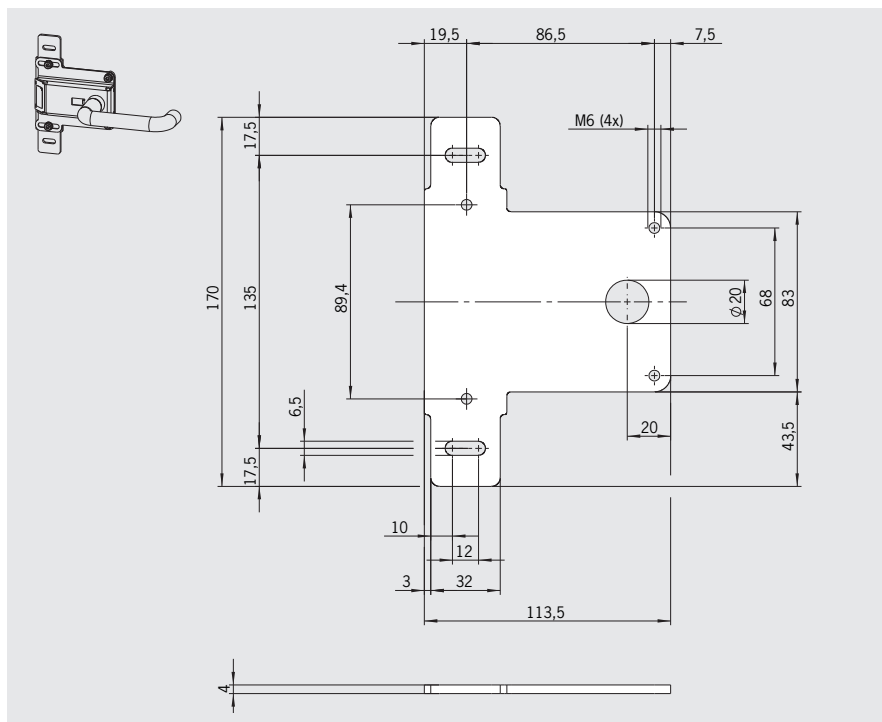
Series / designation	Version	Order no./item
Mounting plate for evaluation module	Suitable for all MGB-L-AR-... and MGB-L-AP-...	<b>109490</b> MGB-A-MOUNTINGPLATE-L-109490
Mounting plate for handle module	Suitable for all MGB handle modules	<b>109491</b> MGB-A-MOUNTINGPLATE-H-109491
Mounting plate for escape release	Suitable for all MGB escape releases	<b>109492</b> MGB-A-MOUNTINGPLATE-E-109492
Mounting plate for evaluation module-control module combination	Suitable for all MGB-L-AR-... and MGB-L-AP-... in combination with a control module MGB-C...	<b>110072</b> MGB-A-MOUNTINGPLATE-LC-110072

Mounting plate for escape release

**Mounting plate for escape release**

Suitable for all MGB escape releases. Two screws are sufficient for fastening the mounting plates.

**Important:** Pay attention to length of the escape release actuation axis! You may need the longer axis (order no. 106761, see 68).

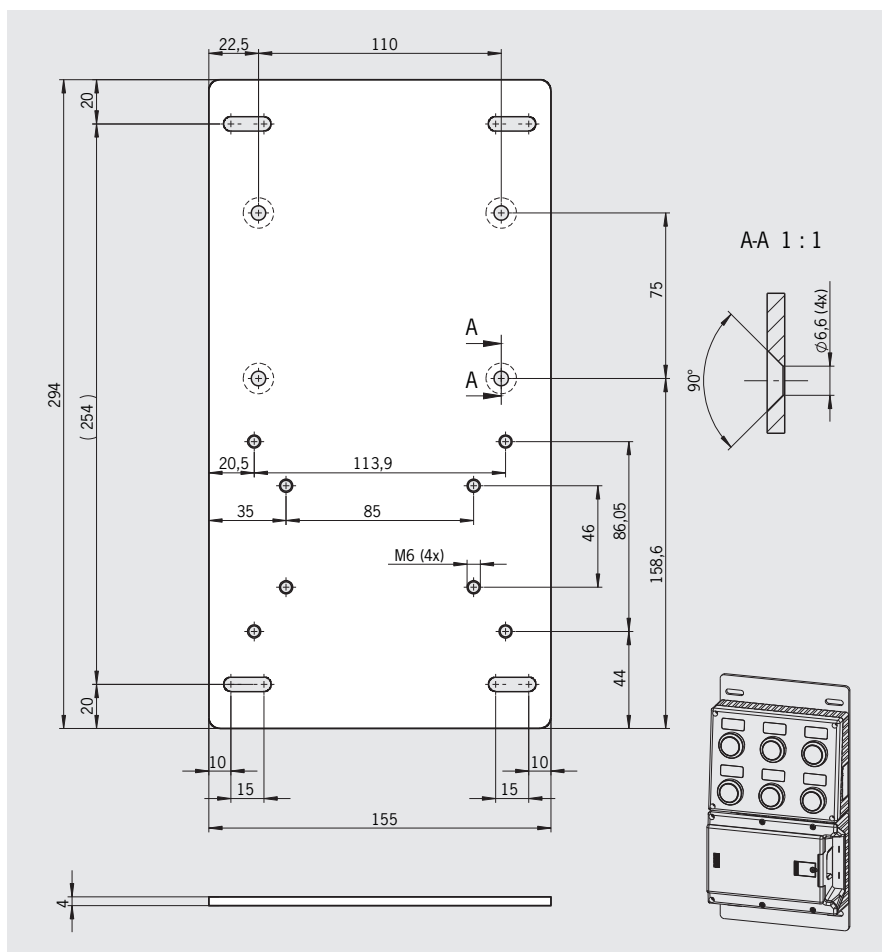
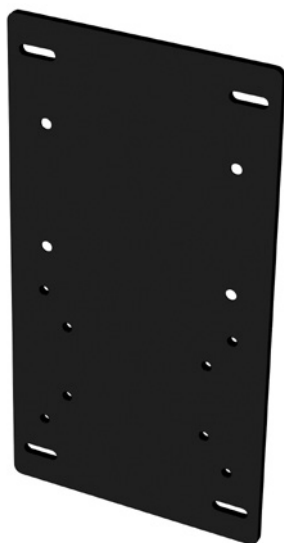


Mounting plate for evaluation module-control module combination

**Mounting plate for evaluation module-control module combination**

Suitable for all MGB combinations, comprising an evaluation module and a control module.

**Important:** Only use if the handle module is also fastened to a mounting plate.



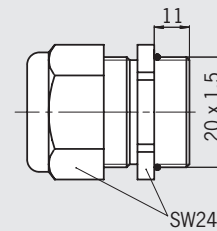


## Cable gland

- ▶ M20 x 1.5
- ▶ Material plastic
- ▶ Cable diameter 6 - 12 mm

**Cable gland EKPM20/06**  
Plastic

### Dimension drawing



## Plug connector RC18

- ▶ Cable optional
- ▶ Halogen-free cable optional

### Crimp contacts

With 16 crimp pins for conductor cross-section 0.38 - 0.5 mm<sup>2</sup> and 3 pins for conductor cross-section 0.75 - 1.0 mm<sup>2</sup> for control of the guard locking solenoid.

### PUR cable (optional)

Cable sleeve PUR, color black, conductor cross-section 0.5 mm<sup>2</sup> or 1.0 mm<sup>2</sup> (suitable for drag chain).

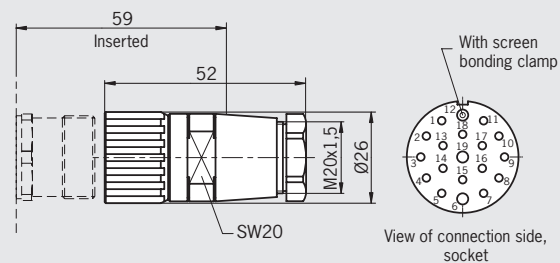
Depending on the cable version, either color-coded or with separately numbered, black cores.

### PUR cable, halogen-free (optional)

Cable sleeve PUR, color black, halogen-free, silicone-free. Reduction of toxic gases and smoke in case of fire (suitable for drag chain). Conductor cross-section 0.5 mm<sup>2</sup> or 1.0 mm<sup>2</sup>. Cores color-coded.

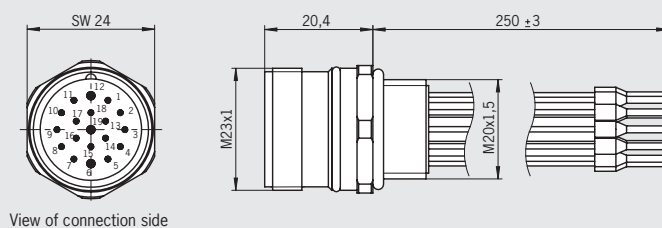
**Plug connector RC18 (M23)**  
19-pin

### Dimension drawing



**Built-in connector RC18 (M23)**  
19-pin

### Dimension drawing

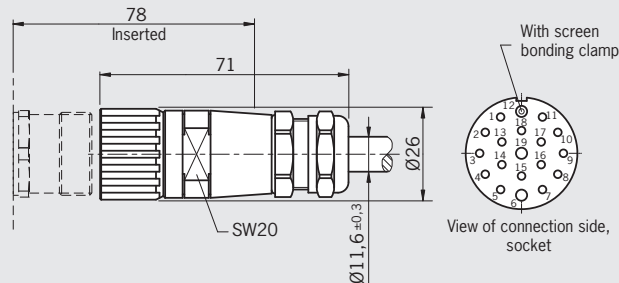


## Ordering table

Designation	Version	Order no./item
<b>Cable gland</b> M20 x 1.5	Material plastic Cable diameter 6 - 12 mm	<b>086223</b> EKPM20/06
<b>Plug connector RC18 (M23)</b> 19-pin	<b>EF-C1825</b> Female plug (Crimp contacts included)	<b>077025</b> RC18EF-C1825
	<b>Replacement pin crimp contacts</b> Conductor cross-section 16 x 0.38 - 0.5 mm <sup>2</sup> 3 x 0.75 - 1 mm <sup>2</sup>	<b>094310</b> Pin crimp contact RCM-C1825
<b>Built-in connector RC18 (M23)</b> 19-pin		<b>120403</b> MGB-A-PLUGCONNECTOR-RC18-1204035

**Connection cable PUR with plug connector M23**  
18-core + PE, color-coded

**Dimension drawing**



**Assignment of connection cable with plug connector M23**

Pin	Conductor coloring	Conductor cross-section [mm <sup>2</sup> ]	Pin	Conductor coloring	Conductor cross-section [mm <sup>2</sup> ]
1	VT	0.5	11	BK	0.5
2	RD	0.5	12	GN/YE	1.0
3	GY	0.5	13	PK	0.5
4	RD/BU	0.5	14	BN/GY	0.5
5	GN	0.5	15	BN/YE	0.5
6	BU	1.0	16	BN/GN	0.5
7	GY/PK	0.5	17	WH	0.5
8	GN/WH	0.5	18	YE	0.5
9	YE/WH	0.5	19	BN	1.0
10	GY/WH	0.5			

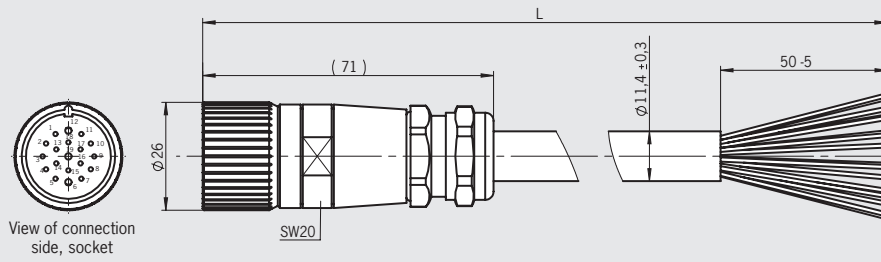
**Ordering table**

Designation	Cable length L [m]	Order no./item
<b>Connection cable PUR with plug connector M23</b> 18-core + PE, socket Cores color-coded	1.5	<b>092761</b> C-M23F19-19XDIFPU01,5-MA-092761
	3	<b>092816</b> C-M23F19-19XDIFPU03,0-MA-092816
	6	<b>077014</b> C-M23F19-19XDIFPU06,0-MA-077014
	8	<b>077015</b> C-M23F19-19XDIFPU08,0-MA-077015
	10	<b>092898</b> C-M23F19-19XDIFPU10,0-MA-092898
	15	<b>077016</b> C-M23F19-19XDIFPU15,0-MA-077016
	20	<b>092726</b> C-M23F19-19XDIFPU20,0-MA-092726
	25	<b>092727</b> C-M23F19-19XDIFPU25,0-MA-092727
	30	<b>095993</b> C-M23F19-19XDIFPU30,0-MA-095993
	40	<b>102490</b> C-M23F19-19XDIFPU40,0-MA-102490

**Connection cables with plug connector M23**

**Connection cable PUR with plug connector M23**  
19-core, numbered

**Dimension drawing**



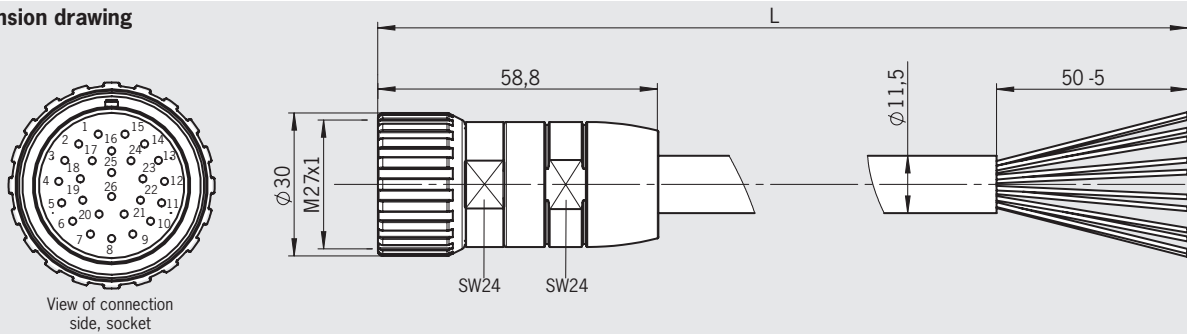
**Ordering table**

Designation	Cable length L [m]	Order no./item
<b>Connection cable PUR with plug connector M23</b> 19-core, socket Individual cores numbered, black, numbering corresponds to the pin number Conductor cross-section as for connection cable above	1.5	<b>110301</b> C-M23F19-PU01,5-MA-110301
	3	<b>110302</b> C-M23F19-PU03,0-MA-110302
	6	<b>110303</b> C-M23F19-PU06,0-MA-110303
	10	<b>110304</b> C-M23F19-PU10,0-MA-110304
	15	<b>110305</b> C-M23F19-PU15,0-MA-110305
	20	<b>110306</b> C-M23F19-PU20,0-MA-110306
	25	<b>110307</b> C-M23F19-PU25,0-MA-110307
	30	<b>122434</b> C-M23F19-PU30,0-MA-122434
	40	<b>122435</b> C-M23F19-PU40,0-MA-122435

**Connection cables with plug connector RC26**

**Connection cable PUR with plug connector RC26**  
26-core + PE, numbered

**Dimension drawing**



**Conductor cross-section of connection cable with plug connector RC26**

Pin	Conductor cross-section [mm <sup>2</sup> ]	Pin	Conductor cross-section [mm <sup>2</sup> ]	Pin	Conductor cross-section [mm <sup>2</sup> ]
1	1.0	10	0.5	19	0.5
2	1.0	11	0.5	20	0.5
3	1.0	12	0.5	21	0.5
4	0.5	13	0.5	22	0.5
5	0.5	14	0.5	23	0.5
6	0.5	15	0.5	24	0.5
7	0.5	16	0.5	25	0.5
8	0.5	17	0.5	26	0.5
9	0.5	18	0.5		

**Ordering table**

Designation	Cable length L [m]	Order no./item
<b>Connection cable TPE-U with plug connector RC26</b> 26-core, socket Individual cores numbered, black, numbering corresponds to the pin number	1.1	<b>114976</b> C-M27F26-PU01,1-MA-114976
	2	<b>111997</b> C-M27F26-PU02,0-MA-111997
	5	<b>111998</b> C-M27F26-PU05,0-MA-111998
	10	<b>111999</b> C-M27F26-PU10,0-MA-111999
	20	<b>112912</b> C-M27F26-PU20,0-MA-112912
	35	<b>123829</b> C-M27F26-PU35,0-MA-123829
	50	<b>123877</b> C-M27F26-PU50,0-MA-123877

## Expand your options - the control module for the MGB

- ▶ Space for up to 6 controls and indicators
- ▶ Ideal expansion solution for the MGB system
- ▶ A large amount of design flexibility

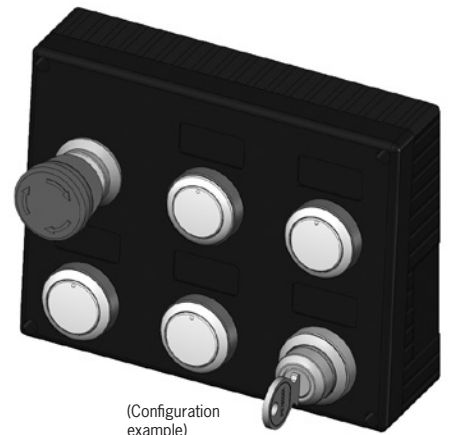
In the control module it is possible to integrate controls such as pushbuttons, emergency stop, key-operated switches, selector switches or even indicators as required. In this way a complete functional control panel can be built up.

Even the MGB basic system comprising handle module and interlocking/locking module includes numerous functions. And if requirements grow, the MGB system simply grows with them with the aid of the control module.

Furthermore, the control module forms an attractive unit together with the MGB. An elegant alternative to the gray switch boxes that were common in the past.

### Benefits for you

- ▶ Simple expansion of the MGB system
- ▶ Flexible configuration with standard components
- ▶ Attractive solution from one mold
- ▶ Functional unit, all control functions in one place
- ▶ Alternative to previous control terminals



(Configuration example)

## Control modules MGB-C...



(Configuration example)

### Details

#### Emergency stop with monitoring contact

Additional normally open contact in the emergency stop, e.g. as monitoring contact for the control system.

### Further information

- ▶ Dimension drawings see p. 79
- ▶ Technical data see p. 83
- ▶ Accessories and spare parts see p. 82
- ▶ [www.euchner.com](http://www.euchner.com)

### ▶ Integrated controls and indicators

### Ordering table

Version/configuration scheme	S10 H10	S11 H11	S12 H12	S13 H13	S14 H14	S15 H15	Order no./item
<p>Empty housing incl. cover and 2 dummy plugs</p>	-	-	-	-	-	-	<b>109219</b> MGB-C-000000-A1-109219
<p>Empty housing incl. cover with holes, 6 slide-in labels (enclosed) and 2 dummy plugs</p>	Hole	Hole	Hole	Hole	Hole	Hole	<b>114268</b> MGB-C-0HHHHHH-A1-114268
<p>4 slide-in labels (enclosed), 2 inscribed slide-in labels</p>	Blind plug	Blind plug	Blind plug	Blind plug	Acknowledge protection zone 	Safety door request 	<b>112023</b> MGB-C-1BBBBPP-A3-112023
<p>1 slide-in label (enclosed), 4 inscribed slide-in labels</p>		Acknowledge emergency stop 	WZW start 	Blind plug	Acknowledge protection zone 	Safety door request 	<b>112022</b> MGB-C-1EPPBPP-A3-112022
Connection kit	- Printed circuit board with plug-in spring terminals - Pre-assembled wires and cable straps						<b>109858</b> MGB-A-LPSET-109858
Connection set	2 housing sleeves for gland M20 x 1.5						<b>109524</b> MGB-A-BUSH-109524

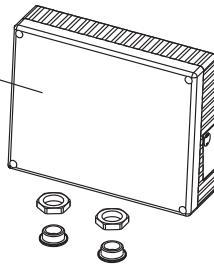
## Dimension drawing and configuration example

Control module housing (MGB-C...)

Order No. 109219

Including:

- ▶ 1 x empty housing
- ▶ 1 x cover
- ▶ 2 x dummy plug

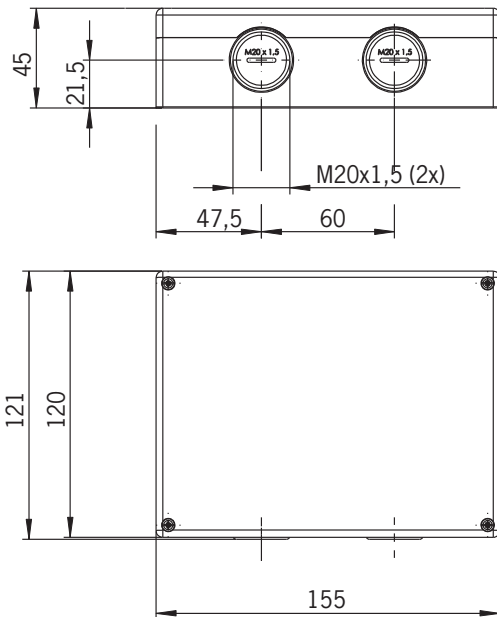
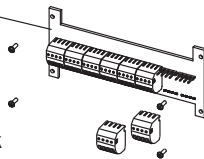


Connection kit

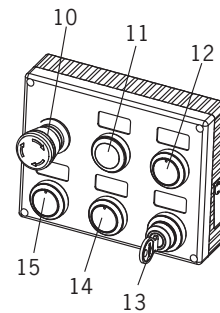
Order No. 109858

Including:

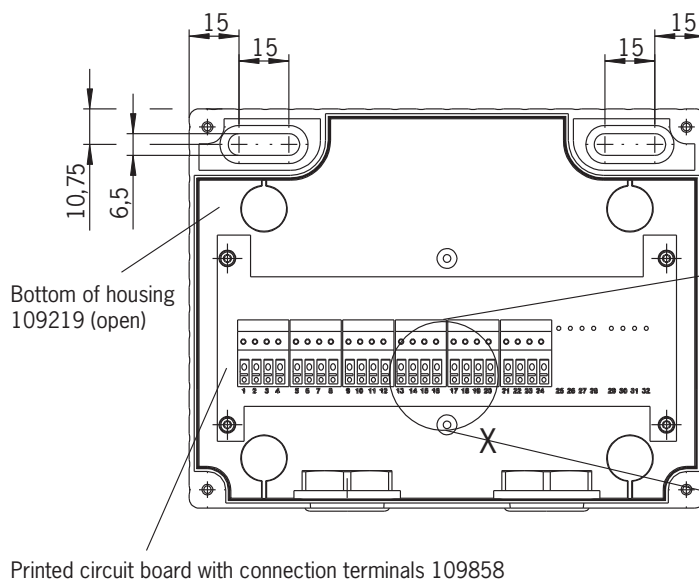
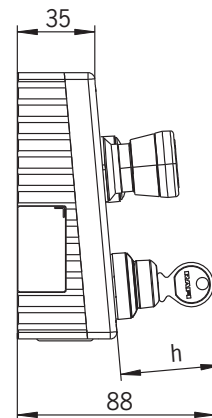
- ▶ 1 pc. printed circuit board with plug-in spring terminals
- ▶ 4 pcs. fixing screws for printed circuit board
- ▶ 7 pcs. flexible wires complete 0.34 mm<sup>2</sup> red
- ▶ 7 pcs. flexible wires complete 0.34 mm<sup>2</sup> blue
- ▶ 16 pcs. flexible wires complete 0.34 mm<sup>2</sup> black
- ▶ 6 pcs. cable straps



Configuration example



Item	Version	h [mm]
10	Emergency stop pushbutton	33.4
11	Cover for indicators, red	10
12	Cover for indicators, green	
13	Key-operated rotary switch	45.1
14	Illuminated pushbuttons	10
15	Illuminated pushbuttons	

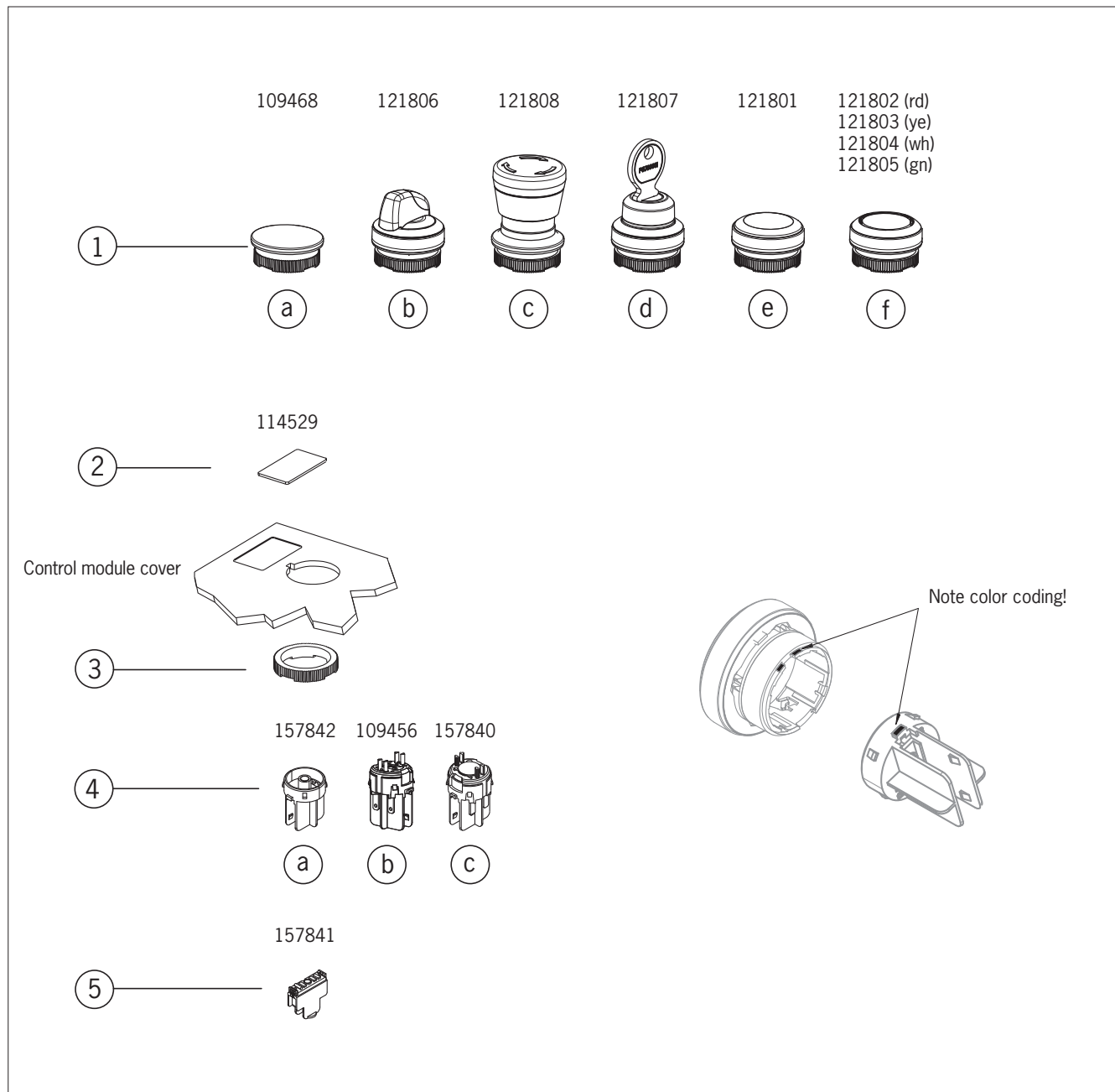


X 1.5 : 1

Controls/indicators  
Supply cable

## Overview, controls and indicators





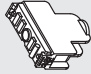
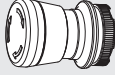






(suitable only for use in the control module)



- ① **Controls/indicators**
  - a Blind plug
  - b Selector switch, 2 positions, latching
  - c Emergency stop, turn-to-reset
  - d Key-operated switch, 2 positions, latching (key removable in both positions)
  - e Pushbutton, illumination with 157841
  - f Cover for indicators, different colors, illumination with 157841
- ② **Adhesive label**
- ③ **Knurled nut (included with item 1)**
- ④ **Switching element/LED holder**
  - a LED holder
  - b Switching element, 2 positively driven NC contacts, 1 NO contact
  - c Switching element, 1 NO contact
- ⑤ **LED element, white**



**Combination options**

	 Switching element Order no. 157840	 Switching element Order no. 109456	 LED holder Order no. 157842
	— —		
 LED Order no. 157841	X	—	●
 Emergency stop Order no. 121808 Latching with turn-to-reset	—	●	—
 Key-operated switch (2 positions) Order no. 121807 Incl. 2 keys Key removable in both positions	● <sup>1)</sup>	—	—
 Selector switch (2 positions) Order no. 121806	●	—	—
 Pushbutton (illuminated) Order no. 121801	●	—	—
 Cover for indicators Order no. 121802 (rd) Order no. 121803 (ye) Order no. 121804 (wh) Order no. 121805 (gn)	—	—	●
 Adhesive label Order no. 114529		●	
 Blind plug Order no. 109468		—	

















x= Optional

—= Not combinable

●= Combinable

<sup>1)</sup> Not in combination with 157841 (LED)

Spare parts and accessories

Designation	Description	Order No.	Item	
Blind plug		109468	MP-AB-00-00-00-109468	
Cover for indicators (without LED holder)	Transparent - (rd) red - (ye) yellow - (wh) white - (gn) green	121802 121803 121804 121805	MP-B-L-RO-RD-00-121802 MP-B-L-RO-YE-00-121803 MP-B-L-RO-WH-00-121804 MP-B-L-RO-GN-00-121805	
Pushbutton (without switching element)		121801	MP-B-P-RT-NC-A1-121801	
Emergency stop (without switching element)	Latching, turn-to-reset	121808	MP-B-E-RD-00-A4-121808	
Selector switch (without switching element)	2 positions, latching in 2 positions	121806	MP-B-S-RR-00-A2-121806	
Key-operated switch (without switching element)	Incl. 2 keys 2 positions; key removable in each position	121807	MP-B-K-RR-00-A3-121807	
Adhesive labels	Silver, blank (packaging unit = 10 pcs.)	114529	MGB-A-PLATESET-NN01-114529	
Connection set	2 housing sleeves for gland M20x1.5	109524	MGB-A-BUSH-109524	
Switching element with LED holder	- 2 positively driven NC contacts, 1 NO contact - 1 NO contact (expandable with LED element)	109456 157840	MP-A-C-GM-21-00-109456 MP-A-C-GU-01-00-157840	
LED holder		157842	MP-A-C-CH-00-00-157842	
LED element	LED, white	157841	MP-A-C-LC-WH-00-157841	
Lens set 3 pcs.	1 x GN  1 x YE 	126158	MGB-A-LENSET-SY03-126158	
	1 x WH 			
Lens sets 6 pcs.	2 x WH/1 x BU/ 1 x YE/ 1 x GN/ 1 x RD		120344	MGB-A-LENSET-0001-120344
	1 x WH/1 x BU/ 1 x YE/ 1 x GN/ 1 x RD/1 x BK		120378	MGB-A-LENSET-0002-120378
	1 x WH  1 x WH 	120377	MGB-A-LENSET-SY01-120377	
	1 x GN  1 x WH 			
1 x WH  1 x WH 				
Lens set 15 pcs.	1 x WH 4 x BK	125359	MGB-A-LENSET-SY02-125359	
	1 x WH  1 x WH 			
	2 x WH  2 x WH 			
	1 x WH OK 1 x WH 			
	1 x WH  1 x WH 			

## Technical data

### Empty housing

Parameter	Value
Housing material	Reinforced thermoplastic
Ambient temperature	-20 ... 55 °C
Degree of protection according to EN 60529	IP 65
Degree of contamination/material group	3 (industrial)
External connection	2 x cable entry M20x1.5
Internal connection (plug-in spring terminals)	0.2 ... 1.5 mm <sup>2</sup>

### Controls

Parameter	Value
Mech. life	
- Pushbutton	1x10 <sup>6</sup>
- Emergency stop	5x10 <sup>4</sup>
- Selector switch	3x10 <sup>5</sup>
- Key-operated switch	3x10 <sup>4</sup>
Ambient temperature	-20 ... 55 °C
Degree of protection according to EN 60529	IP 65 (fitted), key-operated switch IP 54

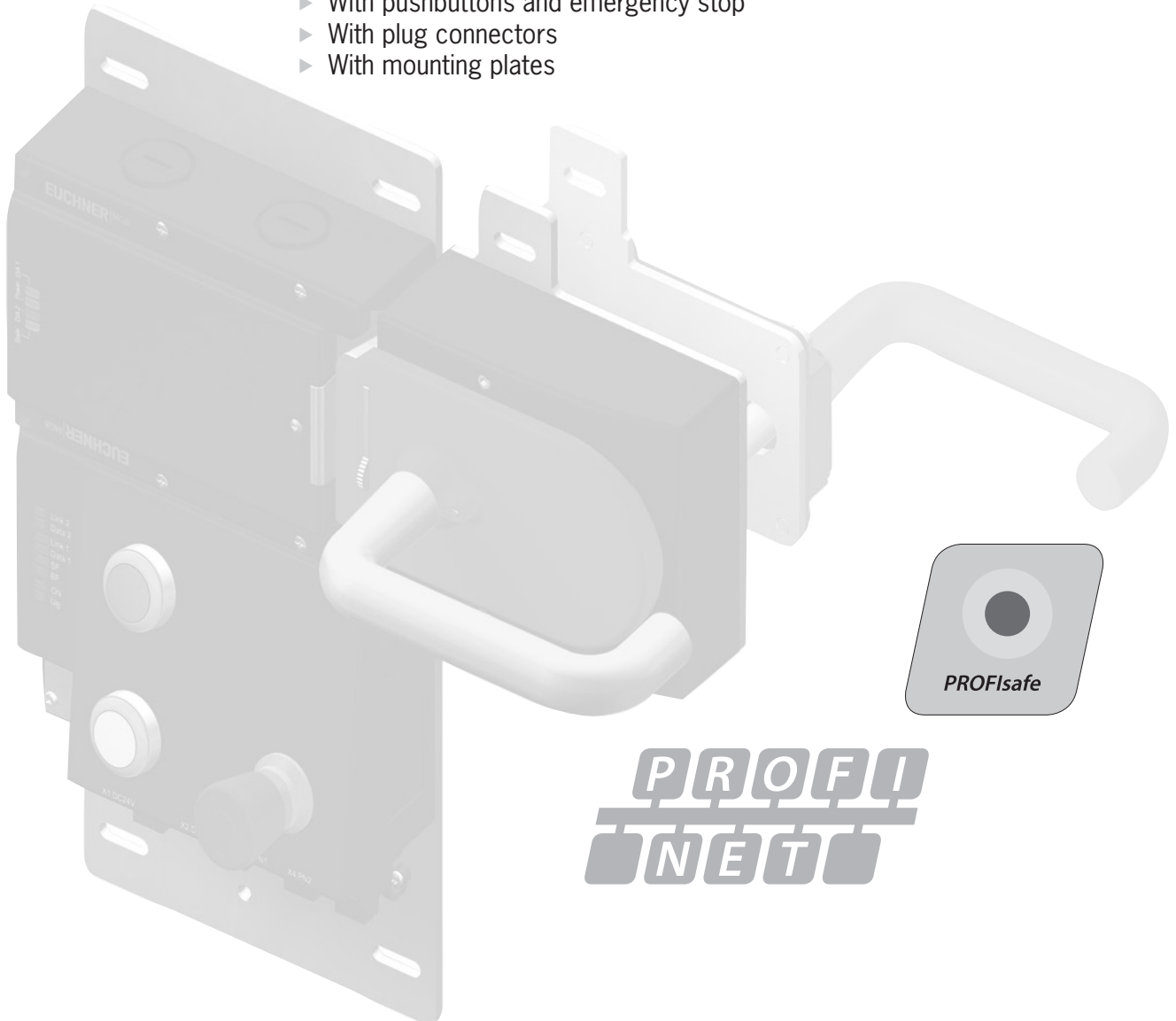
### Switching elements, LED

Parameter	Value
Mechanical life at 10 mA/24 V DC	
...-GU...	1x10 <sup>6</sup>
...-GM...	5x10 <sup>4</sup>
Ambient temperature	-20 ... 55 °C
Operating voltage	
- Switching elements	5 ... 35 V
- LED	24 V
Operating current	
- Switching elements	1 ... 100 mA
- LED	max. 30 mA permissible
Breaking capacity max.	250 mW
Connection	Connector 2.8 x 0.8 mm
Contact material	Au
Shock resistance according to IEC 60068-2-27	15 g
Vibration resistance IEC 60068-2-6	5 g (10 ... 500 Hz)
Positively driven ...GM...	According to IEC 60947-5-1 (positively driven NC contact)



**Complete sets system family MGB-PN**

- ▶ Profinet and Profisafe
- ▶ With pushbuttons and emergency stop
- ▶ With plug connectors
- ▶ With mounting plates



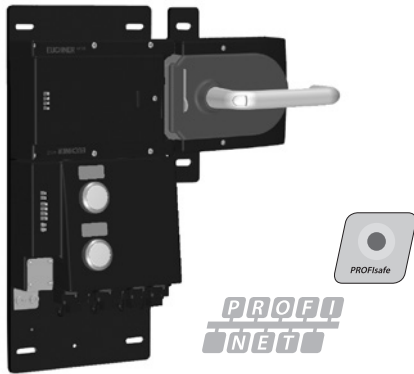
MGB-PN

<b>Locking sets MGB-L1-PN... (guard locking by spring force)</b>	<b>86 - 96</b>
with 2 controls and indicators	86
with 3 controls and indicators	90
with 4 controls and indicators	94
<b>Locking sets MGB-L2-PN... (guard locking by solenoid force)</b>	<b>98 - 112</b>
without controls and indicators	98
with 3 controls and indicators	102
with 6 controls and indicators	106
<b>Control modules MGB-...-PN</b>	<b>114</b>
<b>Assignment of the terminal plugs</b>	<b>118</b>
<b>Technical data</b>	<b>120</b>
<b>Dimension drawing</b>	<b>121</b>

## Locking sets MGB-L1...-PN... (guard locking by spring force) with 2 controls or indicators



Cat. 4  
PLe



### Details

#### Profinet connection

Connection via push-pull plugs according to IEC 61076-3-117, variant 14.

#### Profinet RT switch

Point-to-point topology network structure due to integrated RT switch.

#### Flexible usage as interlocking or guard locking

By means of the corresponding evaluation of the safe device data by the control system, usage can be as either interlocking or guard locking (with or without monitoring).

#### Lens set

The color of the pushbutton can be selected using the lens set 120344 included.

### Further information

- ▶ Dimension drawings see p. 121
- ▶ Technical data see p. 120
- ▶ Accessories and spare parts see p. 88
- ▶ [www.euchner.com](http://www.euchner.com)

- ▶ Integrated controls and indicators
- ▶ Pre-assembled on mounting plates
- ▶ Integrated Profinet RT switch

### Ordering table

Modules in the set				Ordering data, set			
Version/configuration scheme Order no. module combination	Controls and indicators		Data ranges	Handle module Order no. separate module	Escape release Order no. separate module	Door hinge (Factory setting)	Order no./item
	S90 H90	S95 H95					
 121831 Incl. adhesive labels 			A	106049	-	Right	<b>121832</b> MGB-L1HB-PNA-R-121832 (Modules pre-assembled on mounting plates)
	*)	*)					
 121833 Incl. adhesive labels							

\* The color can be selected using the lens set included.

## Data ranges

You will require the corresponding GSD file in GSDML format in order to integrate the MGB system:

GSDML-Vx.x-EUCHNER-MGB\_110026-YYYYMMDD.xml

You will find the GSD file in the download area at [www.euchner.com](http://www.euchner.com).

Prior to setup, the GSD file must be imported into the configuration software of the control system (see manual for your control system).

### PROFINET data bytes

(unsafe input/output area)

**A**

#### Assignment in input area of the bus master

Slot 1/byte 0	–	–	S95.1	–	–	–	–	S90.1
Slot 1/byte 1	–	–	–	–	–	–	–	–
Slot 2/byte 0	ÜK	SK	–	–	–	R	R	T
Slot 3/byte 0	I24	–	–	–	–	I19	I18	I17
Slot 1/byte 0	Pushbutton S90 - S95 1st contact							
Slot 1/byte 1	Pushbutton S90 - S95 2nd contact							
Slot 2/byte 0	Locking module							
Slot 3/byte 0	Diagnostic module							

#### Assignment in output area of the bus master

Slot 1/byte 0	–	–	H95	–	–	–	–	H90
Slot 2/byte 0	–	–	–	–	–	–	–	Sol.
Slot 3/byte 0	–	–	–	–	–	–	O18	O17
Slot 1/byte 0	LEDs H90 - H95							
Slot 2/byte 0	Guard locking solenoid							
Slot 3/byte 0	Diagnostic module							

### PROFIsafe data bytes

(safe input/output area)

**A**

#### Assignment of PROFIsafe in input area of the bus master

Byte n+0	–	–	–	SI5	SI4	SI3	–	–
Byte n+1	–	–	–	–	–	–	SI10	SI9
Byte n+2	PROFIsafe internal (control byte)							
Byte n+3	PROFIsafe internal (ser. no.)							
Byte n+4	PROFIsafe internal (CRC2)							
Byte n+5	PROFIsafe internal (CRC2)							
SI3	Door position (T)							
SI4	Bolt position (R)							
SI5	Guard locking (Z)							
SI9	SK (T AND R)							
SI10	ÜK (T AND R AND Z)							

#### Assignment of PROFIsafe in output area of the bus master

Byte n+0	–	–	–	–	–	–	–	S01
Byte n+1	–	–	–	–	–	–	–	–
Byte n+2	PROFIsafe internal (control byte)							
Byte n+3	PROFIsafe internal (ser. no.)							
Byte n+4	PROFIsafe internal (CRC2)							
Byte n+5	PROFIsafe internal (CRC2)							
S01	Guard locking solenoid							

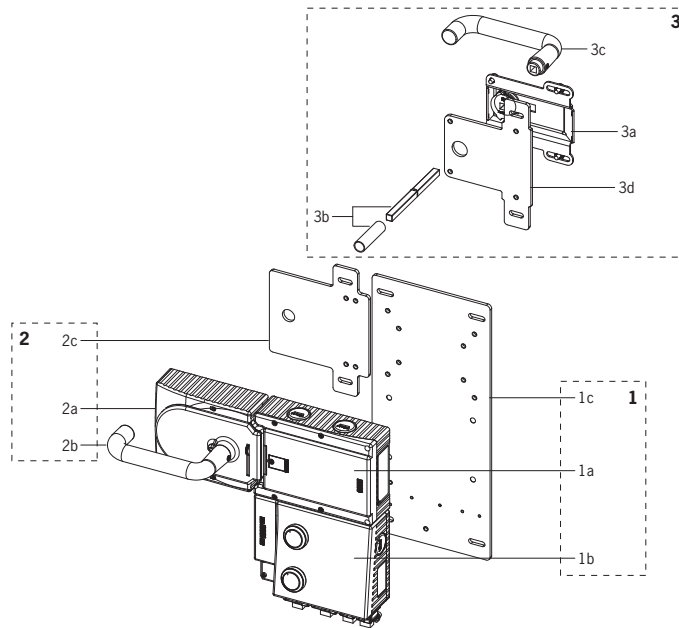
## Locking sets MGB-L1...-PN... (guard locking by spring force) with 2 controls or indicators



Cat. 4  
PLe



### System components and spare parts



### Ordering table for system components, spare parts and accessories

Notice: It is only possible to order spare parts that are given in the following ordering table with an order number.

Item	Designation	Use/description	Order No./item	
1	<b>System unit MGB-L1B-...</b> (guard locking by spring force)	For doors hinged on the left	<b>121833</b> MGB-L1B-PNA-L-121833	
		For doors hinged on the right	<b>121831</b> MGB-L1B-PNA-R-121831	
	comprising:			
	<b>1a</b>	- Evaluation module		-
<b>1b</b>	- Bus module		-	
<b>1c</b>	- Mounting plate			
2	<b>Handle module MGB-H-...</b> comprising:	For doors hinged on the left	<b>106221</b> MGB-H-AA1A2-L-106221	
		For doors hinged on the right	<b>106049</b> MGB-H-AA1A2-R-106049	
	<b>2a</b>	- Handle module		-
	<b>2b</b>	- Door handle	Color silver	<b>123926</b> MGB-A-DOORHANDLE-S2-123926
<b>2c</b>	- Mounting plate	For handle module MGB-H-...	<b>109491</b> MGB-A-MOUNTINGPLATE-H-109491	
3	<b>Escape release MGB-E-...</b> comprising:		<b>106051</b> MGB-E-A2-106051	
		<b>3a</b>	- Escape release	-
	<b>3b</b>	- Escape release shaft	Standard length 118 mm (square 8x8 mm + sleeve)	-
		- Long escape release shaft (instead of item 3b)	Length 250 mm (square 8x8 mm + sleeve 182 mm long)	<b>106761</b> MGB-A-ESCAPERELEASESHAFT 250
	<b>3c</b>	- Door handle	Color red	<b>110276</b> MGB-A-DOORHANDLE-R-110276
<b>3d</b>	- Mounting plate	For escape release MGB-E-...	<b>109492</b> MGB-A-MOUNTINGPLATE-E-109492	

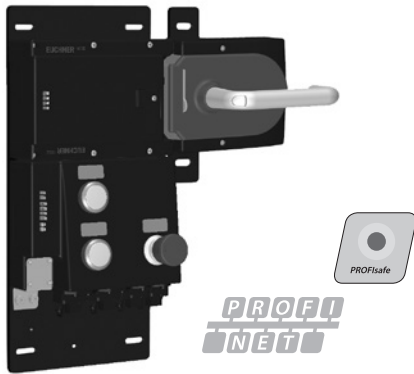




## Locking sets MGB-L1...-PN... (guard locking by spring force) with 3 controls or indicators



Cat. 4  
PLe



- ▶ Integrated controls and indicators
- ▶ Pre-assembled on mounting plates
- ▶ Integrated Profinet RT switch

### Details

#### Profinet connection

Connection via push-pull plugs according to IEC 61076-3-117, variant 14, or 7/8" plugs according to ANSI/B93.55M-1981 and M12 plugs according to IEC 61076-2-101.

#### Profinet RT switch

Point-to-point topology network structure due to integrated RT switch.

#### Flexible usage as interlocking or guard locking

By means of the corresponding evaluation of the safe device data by the control system, usage can be as either interlocking or guard locking (with or without monitoring).

#### Illuminated emergency stop

Emergency stop with illumination that can be controlled as required.

#### Lens set

The color of the pushbutton can be selected using the lens set 120344 included.

#### Further information

- ▶ Dimension drawings see p. 121
- ▶ Technical data see p. 120
- ▶ Accessories and spare parts see p. 93
- ▶ [www.euchner.com](http://www.euchner.com)

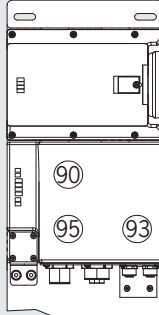



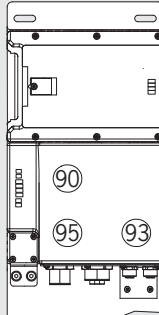
### Ordering table

Modules in the set					Ordering data, set		
Version/configuration scheme Order no. module combination	Controls and indicators	Data ranges	Handle module Order no. separate module	Escape release Order no. separate module	Door hinge (factory setting)	Order no./item	
							Evaluation module and bus module
121851  Incl. adhesive labels, push-pull plugs 	S93	S90	S95	106049	Right	<b>121852</b> MGB-L1HB-PNA-R-121852 (Modules pre-assembled on mounting plates)	
	H93	H90	H95				
121855  Incl. adhesive labels, push-pull plugs 				106221	Left	<b>121856</b> MGB-L1HB-PNA-L-121856 (Modules pre-assembled on mounting plates)	
		*)	*)				A

\* The color can be selected using the lens set included.

(Continued on next page)

Ordering table (continued)

Modules in the set				Ordering data, set				
Version/configuration scheme Order no. module combination	Controls and indicators			Data ranges	Handle module Order no. separate module	Escape release Order no. separate module	Door hinge (Factory setting)	Order no./item
	S93 H93	S90 H90	S95 H95					
<p>121857</p>  <p>Pre-assembled on mounting plate, incl. adhesive labels, 7/8" plugs and M12 plugs</p>		 <p>*)</p>	 <p>*)</p>	A	106049 Pre-assembled on mounting plate	-	Right	<p><b>121858</b> MGB-L1HB-PNA-R-121858</p>
<p>121861</p>  <p>Pre-assembled on mounting plate, incl. adhesive labels, 7/8" plugs and M12 plugs</p>					106221 Pre-assembled on mounting plate		Left	<p><b>121862</b> MGB-L1HB-PNA-L-121862</p>

\* The color can be selected using the lens set included.

## Locking sets MGB-L1...-PN... (guard locking by spring force) with 3 controls or indicators



Cat. 4  
PLe



### Data ranges

You will require the corresponding GSD file in GSDML format in order to integrate the MGB system:  
GSDML-Vx.x-EUCHNER-MGB\_110026-YYYYMMDD.xml

You will find the GSD file in the download area at [www.euchner.com](http://www.euchner.com).

Prior to setup, the GSD file must be imported into the configuration software of the control system (see manual for your control system).

#### PROFINET data bytes

(unsafe input/output area)

**A**

#### Assignment in input area of the bus master

Slot 1/byte 0	-	-	S95.1	-	-	-	-	S90.1
Slot 1/byte 1	-	-	-	-	-	-	-	-
Slot 2/byte 0	-	-	-	-	-	-	-	S93
Slot 3/byte 0	ÜK	SK	-	-	-	R	R	T
Slot 4/byte 0	I24	-	-	-	-	I19	I18	I17
Slot 1/byte 0	Pushbutton S90 - S95 1st contact							
Slot 1/byte 1	Pushbutton S90 - S95 2nd contact							
Slot 2/byte 0	Emergency stop monitoring contact							
Slot 3/byte 0	Locking module							
Slot 4/byte 0	Diagnostic module							

#### Assignment in output area of the bus master

Slot 1/byte 0	-	-	H95	-	-	-	-	H90
Slot 2/byte 0	-	-	-	-	-	-	-	H93
Slot 3/byte 0	-	-	-	-	-	-	-	Sol.
Slot 4/byte 0	-	-	-	-	-	-	018	017
Slot 1/byte 0	LEDs H90 - H95							
Slot 2/byte 0	Emergency stop LED							
Slot 3/byte 0	Guard locking solenoid							
Slot 4/byte 0	Diagnostic module							

#### PROFIsafe data bytes

(safe input/output area)

**A**

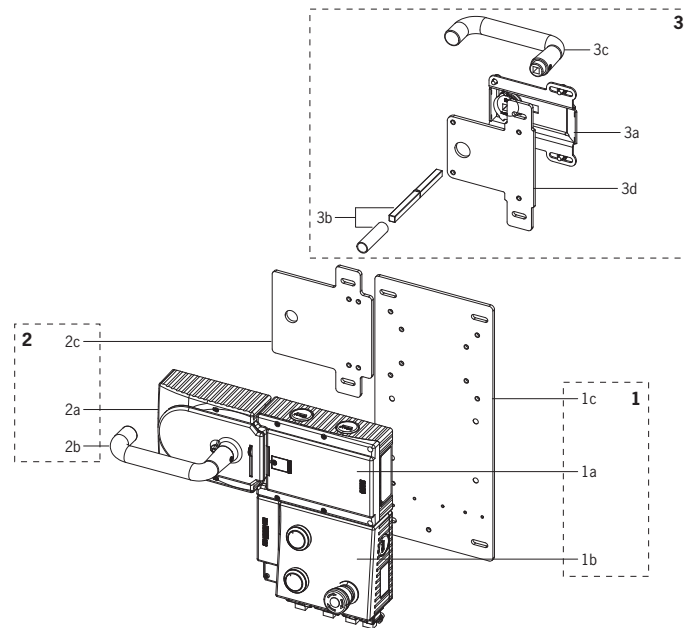
#### Assignment of PROFIsafe in input area of the bus master

Byte n+0	-	-	-	SI5	SI4	SI3	-	SI1
Byte n+1	-	-	-	-	-	-	SI10	SI9
Byte n+2	PROFIsafe internal (control byte)							
Byte n+3	PROFIsafe internal (ser. no.)							
Byte n+4	PROFIsafe internal (CRC2)							
Byte n+5	PROFIsafe internal (CRC2)							
SI1	Emergency stop S93							
SI3	Door position (T)							
SI4	Bolt position (R)							
SI5	Guard locking (Z)							
SI9	SK (T AND R)							
SI10	ÜK (T AND R AND Z)							

#### Assignment of PROFIsafe in output area of the bus master

Byte n+0	-	-	-	-	-	-	-	S01
Byte n+1	-	-	-	-	-	-	-	-
Byte n+2	PROFIsafe internal (control byte)							
Byte n+3	PROFIsafe internal (ser. no.)							
Byte n+4	PROFIsafe internal (CRC2)							
Byte n+5	PROFIsafe internal (CRC2)							
S01	Guard locking solenoid							

## System components and spare parts



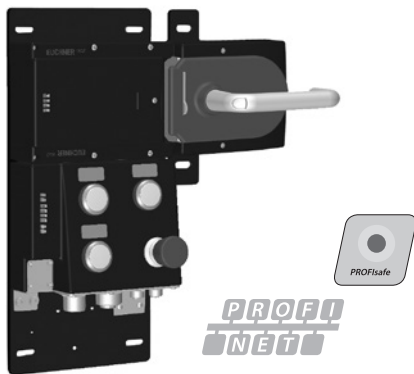
## Ordering table for system components, spare parts and accessories

Notice: It is only possible to order spare parts that are given in the following ordering table with an order number.

Item	Designation	Use/description	Order No./item		
1	<b>System unit MGB-L1B-...</b> (guard locking by spring force)	For doors hinged on the left	<b>121855</b> MGB-L1B-PNAL-121855		
		For doors hinged on the right	<b>121861</b> MGB-L1B-PNAL-121861		
	comprising:				
	<b>1a</b>	- Evaluation module		-	
<b>1b</b>	- Bus module		-		
<b>1c</b>	- Mounting plate				
2	<b>Handle module MGB-H-...</b> comprising:	For doors hinged on the left	<b>106221</b> MGB-HAA1A2-L-106221		
		For doors hinged on the right	<b>106049</b> MGB-HAA1A2-R-106049		
	<b>2a</b>	- Handle module		-	
	<b>2b</b>	- Door handle	Color silver	<b>123926</b> MGB-A-DOORHANDLE-S2-123926	
<b>2c</b>	- Mounting plate	For handle module MGB-H-...	<b>109491</b> MGB-A-MOUNTINGPLATE-H-109491		
3	<b>Escape release MGB-E-...</b> comprising:		<b>106051</b> MGB-E-A2-106051		
		<b>3a</b>	- Escape release		-
	<b>3b</b>	- Escape release shaft	Standard length 118 mm (square 8x8 mm + sleeve)		-
		- Long escape release shaft (instead of item 3b)	Length 250 mm (square 8x8 mm + sleeve 182 mm long)	<b>106761</b> MGB-A-ESCAPERELEASESHAFT 250	
	<b>3c</b>	- Door handle	Color red	<b>110276</b> MGB-A-DOORHANDLE-R-110276	
<b>3d</b>	- Mounting plate	For escape release MGB-E-...	<b>109492</b> MGB-A-MOUNTINGPLATE-E-109492		

MGB-PN

## Locking sets MGB-L1...-PN... (guard locking by spring force) with 4 controls or indicators



- ▶ Integrated controls and indicators
- ▶ Pre-assembled on mounting plates
- ▶ Integrated Profinet RT switch

### Details

#### Profinet connection

Connection via 7/8" plugs according to ANSI/B93.55M-1981 and M12 plugs according to IEC 61076-2-101.

#### Profinet RT switch

Point-to-point topology network structure due to integrated RT switch.

#### Flexible usage as interlocking or guard locking

By means of the corresponding evaluation of the safe device data by the control system, usage can be as either interlocking or guard locking (with or without monitoring).

#### Illuminated emergency stop

Emergency stop with illumination that can be controlled as required.

#### Lens set

The color of the pushbutton can be selected using the lens set 120344 included.

#### Multicode evaluation

Every suitable handle module is detected by the safety switch.

#### Further information

- ▶ Dimension drawings see p. 121
- ▶ Technical data see p. 120
- ▶ Accessories and spare parts see p. 96
- ▶ [www.euchner.com](http://www.euchner.com)

### Ordering table

Modules in the set					Ordering data, set				
Version/configuration scheme Order no. module combination	Controls and indicators				Data ranges	Handle module Order no. separate module	Escape release Order no. separate module	Door hinge (factory setting)	Order no./item
	S93 H93	S90 H90	S92 H92	S95 H95					
121865  Incl. adhesive labels 					A	111838	-	Right	<b>121866</b> MGB-L1HB-PNC-R-121866 (Modules pre-assembled on mounting plates)
121867  Incl. adhesive labels									111839

\* The color can be selected using the lens set included.

## Data ranges

You will require the corresponding GSD file in GSDML format in order to integrate the MGB system:  
GSDML-Vx.x-EUCHNER-MGB\_110026-YYYYMMDD.xml

You will find the GSD file in the download area at [www.euchner.com](http://www.euchner.com).

Prior to setup, the GSD file must be imported into the configuration software of the control system (see manual for your control system).

### PROFINET data bytes (unsafe input/output area)



#### Assignment in input area of the bus master

Slot 1/byte 0	-	-	S95.1	-	-	S92.1	-	S90.1
Slot 1/byte 1	-	-	-	-	-	-	-	-
Slot 2/byte 0	-	-	-	-	-	-	-	S93
Slot 3/byte 0	ÜK	SK	-	-	-	R	R	T
Slot 4/byte 0	I24	-	-	-	-	I19	I18	I17
Slot 1/byte 0	Pushbutton S90 - S95 1st contact							
Slot 1/byte 1	Pushbutton S90 - S95 2nd contact							
Slot 2/byte 0	Emergency stop monitoring contact							
Slot 3/byte 0	Locking module							
Slot 4/byte 0	Diagnostic module							

#### Assignment in output area of the bus master

Slot 1/byte 0	-	-	H95	-	-	H92	-	H90
Slot 2/byte 0	-	-	-	-	-	-	-	H93
Slot 3/byte 0	-	-	-	-	-	-	-	Sol.
Slot 4/byte 0	-	-	-	-	-	-	O18	O17
Slot 1/byte 0	LEDs H90 - H95							
Slot 2/byte 0	Emergency stop LED							
Slot 3/byte 0	Guard locking solenoid							
Slot 4/byte 0	Diagnostic module							

### PROFIsafe data bytes (safe input/output area)



#### Assignment of PROFIsafe in input area of the bus master

Byte n+0	-	-	-	SI5	SI4	SI3	-	SI1
Byte n+1	-	-	-	-	-	-	SI10	SI9
Byte n+2	PROFIsafe internal (control byte)							
Byte n+3	PROFIsafe internal (ser. no.)							
Byte n+4	PROFIsafe internal (CRC2)							
Byte n+5	PROFIsafe internal (CRC2)							
SI1	Emergency stop S93							
SI3	Door position (T)							
SI4	Bolt position (R)							
SI5	Guard locking (Z)							
SI9	SK (T AND R)							
SI10	ÜK (T AND R AND Z)							

#### Assignment of PROFIsafe in output area of the bus master

Byte n+0	-	-	-	-	-	-	-	S01
Byte n+1	-	-	-	-	-	-	-	-
Byte n+2	PROFIsafe internal (control byte)							
Byte n+3	PROFIsafe internal (ser. no.)							
Byte n+4	PROFIsafe internal (CRC2)							
Byte n+5	PROFIsafe internal (CRC2)							
S01	Guard locking solenoid							

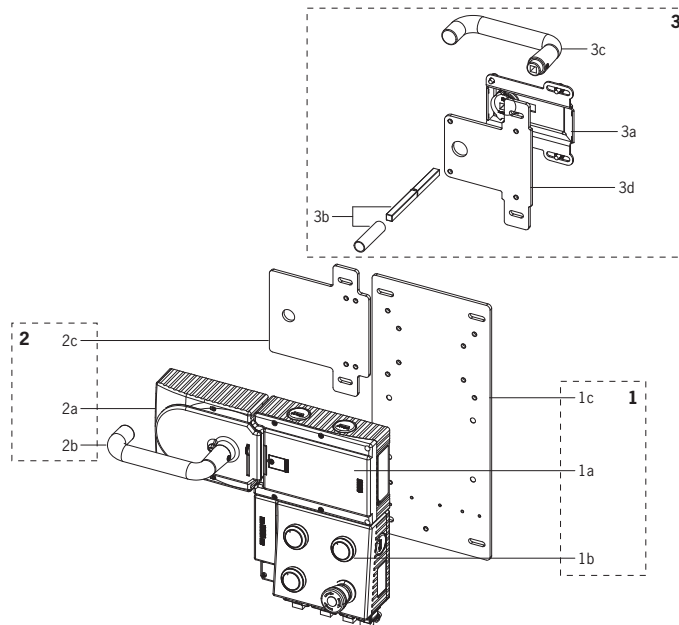
## Locking sets MGB-L1...-PN... (guard locking by spring force) with 4 controls or indicators



Cat. 4  
PLe



### System components and spare parts



### Ordering table for system components, spare parts and accessories

Notice: It is only possible to order spare parts that are given in the following ordering table with an order number.

Item	Designation	Use/description	Order No./item	
1	<b>System unit MGB-L1B-...</b> (guard locking by spring force)	For doors hinged on the left	<b>121867</b> MGB-L1B-PNC-L-121867	
		For doors hinged on the right	<b>121865</b> MGB-L1B-PNC-R-121865	
	comprising:			
	<b>1a</b>	- Evaluation module		-
<b>1b</b>	- Bus module		-	
<b>1c</b>	- Mounting plate			
2	<b>Handle module MGB-H-...</b> comprising:	For doors hinged on the left	<b>111839</b> MGB-H-AA1A6-L-111839	
		For doors hinged on the right	<b>111838</b> MGB-H-AA1A6-R-111838	
	<b>2a</b>	- Handle module		-
	<b>2b</b>	- Door handle	Color silver	<b>123926</b> MGB-A-DOORHANDLE-S2-123926
<b>2c</b>	- Mounting plate	For handle module MGB-H-...	<b>109491</b> MGB-A-MOUNTINGPLATE-H-109491	
3	<b>Escape release MGB-E-...</b> comprising:		<b>106051</b> MGB-E-A2-106051	
		<b>3a</b>	- Escape release	-
	<b>3b</b>	- Escape release shaft	Standard length 118 mm (square 8x8 mm + sleeve)	-
		- Long escape release shaft (instead of item 3b)	Length 250 mm (square 8x8 mm + sleeve 182 mm long)	<b>106761</b> MGB-A-ESCAPERELEASESHAFT 250
	<b>3c</b>	- Door handle	Color red	<b>110276</b> MGB-A-DOORHANDLE-R-110276
<b>3d</b>	- Mounting plate	For escape release MGB-E-...	<b>109492</b> MGB-A-MOUNTINGPLATE-E-109492	

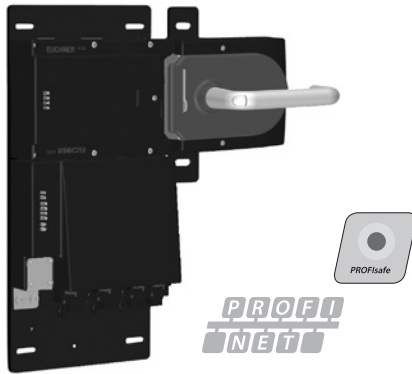




## Locking sets MGB-L2...-PN... (guard locking by solenoid force) without controls or indicators



Cat. 4  
PLe



### Details

#### Profinet connection

Connection via push-pull plugs according to IEC 61076-3-117, variant 14.

#### Profinet RT switch

Point-to-point topology network structure due to integrated RT switch.

#### Flexible usage as interlocking or guard locking

By means of the corresponding evaluation of the safe device data by the control system, usage can be as either interlocking or guard locking (with or without monitoring).

### Further information

- ▶ Dimension drawings see p. 121
- ▶ Technical data see p. 120
- ▶ Accessories and spare parts see p. 100
- ▶ [www.euchner.com](http://www.euchner.com)

- ▶ Pre-assembled on mounting plates
- ▶ Integrated Profinet RT switch

### Ordering table

Modules in the set					Ordering data, set
Version/configuration scheme Order no. module combination	Controls and indicators	Data ranges	Handle module Order no. separate module	Escape release Order no. separate module	Door hinge (Factory setting)
<p>114044</p> <p>PN</p>	-	A	106049	-	Right
<p>114045</p>	-		106221	-	Left

## Data ranges

You will require the corresponding GSD file in GSDML format in order to integrate the MGB system:  
GSDML-Vx.x-EUCHNER-MGB\_110026-YYYYMMDD.xml

You will find the GSD file in the download area at [www.euchner.com](http://www.euchner.com).

Prior to setup, the GSD file must be imported into the configuration software of the control system (see manual for your control system).

### PROFINET data bytes (unsafe input/output area)



#### Assignment in input area of the bus master

Slot 1/byte 1	ÜK	SK	-	-	-	R	R	T
Slot 2/byte 1	I24	-	-	-	-	-	I18	I17
Slot 1/byte 1	Locking module							
Slot 2/byte 1	Diagnostic module							

#### Assignment in output area of the bus master

Slot 1/byte 1	-	-	-	-	-	-	-	Sol.
Slot 2/byte 1	-	-	-	-	-	-	O18	O17
Slot 1/byte 1	Guard locking solenoid							
Slot 2/byte 1	Diagnostic module							

### PROFIsafe data bytes (safe input/output area)



#### Assignment of PROFIsafe in input area of the bus master

Byte n+0	-	-	-	SI5	SI4	SI3	-	-
Byte n+1	-	-	-	-	-	-	SI10	SI9
Byte n+2	PROFIsafe internal (control byte)							
Byte n+3	PROFIsafe internal (ser. no.)							
Byte n+4	PROFIsafe internal (CRC2)							
Byte n+5	PROFIsafe internal (CRC2)							
SI3	Door position (T)							
SI4	Bolt position (R)							
SI5	Guard locking (Z)							
SI9	SK (T AND R)							
SI10	ÜK (T AND R AND Z)							

#### Assignment of PROFIsafe in output area of the bus master

Byte n+0	-	-	-	-	-	-	-	S01
Byte n+1	-	-	-	-	-	-	-	-
Byte n+2	PROFIsafe internal (control byte)							
Byte n+3	PROFIsafe internal (ser. no.)							
Byte n+4	PROFIsafe internal (CRC2)							
Byte n+5	PROFIsafe internal (CRC2)							
S01	Guard locking solenoid							

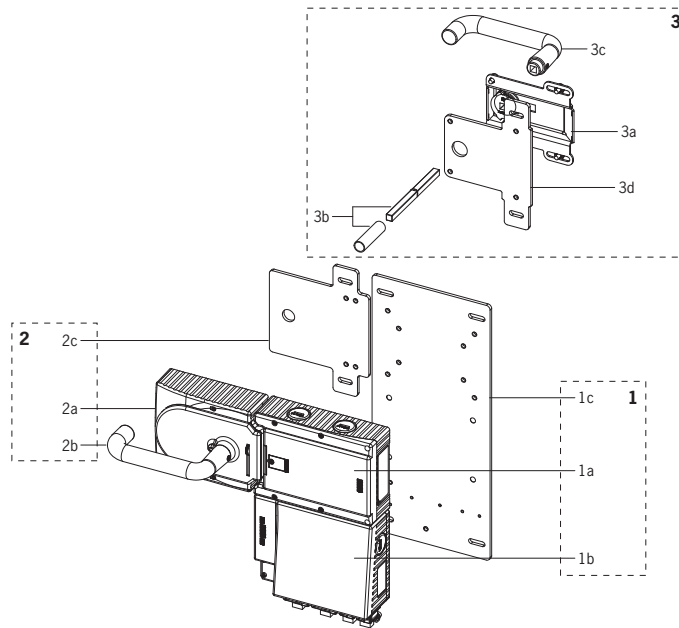
## Locking sets MGB-L2...-PN... (guard locking by solenoid force) without controls or indicators



Cat. 4  
PLe



### System components and spare parts



### Ordering table for system components, spare parts and accessories

Notice: It is only possible to order spare parts that are given in the following ordering table with an order number.

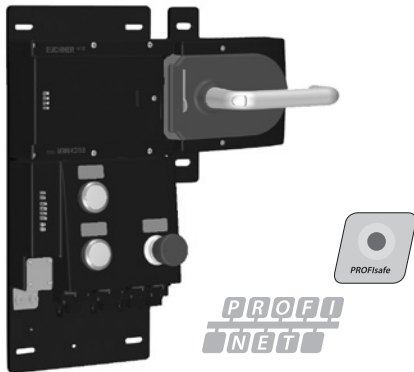
Item	Designation	Use/description	Order No./item	
1	<b>System unit MGB-L2B-...</b> (guard locking by solenoid force)	For doors hinged on the left	<b>114044</b> MGB-L2B-PNA-L-114044	
		For doors hinged on the right	<b>114045</b> MGB-L2B-PNA-R-114045	
	comprising:			
	<b>1a</b>	- Evaluation module		-
<b>1b</b>	- Bus module		-	
<b>1c</b>	- Mounting plate			
2	<b>Handle module MGB-H-...</b> comprising:	For doors hinged on the left	<b>106221</b> MGB-H-AA1A2-L-106221	
		For doors hinged on the right	<b>106049</b> MGB-H-AA1A2-R-106049	
	<b>2a</b>	- Handle module		-
	<b>2b</b>	- Door handle	Color silver	<b>123926</b> MGB-A-DOORHANDLE-S2-123926
<b>2c</b>	- Mounting plate	For handle module MGB-H-...	<b>109491</b> MGB-A-MOUNTINGPLATE-H-109491	
3	<b>Escape release MGB-E-...</b> comprising:		<b>106051</b> MGB-E-A2-106051	
		<b>3a</b>	- Escape release	-
	<b>3b</b>	- Escape release shaft	Standard length 118 mm (square + sleeve)	-
		- Long escape release shaft (instead of item 3b)	Length 250 mm (square 8x8 mm + sleeve 182 mm long)	<b>106761</b> MGB-A-ESCAPERELEASESHAFT 250
	<b>3c</b>	- Door handle	Color red	<b>110276</b> MGB-A-DOORHANDLE-R-110276
<b>3d</b>	- Mounting plate	For escape release MGB-E-...	<b>109492</b> MGB-A-MOUNTINGPLATE-E-109492	



## Locking sets MGB-L2...-PN... (guard locking by solenoid force) with 3 controls or indicators



Cat. 4  
PLe



### Details

#### Profinet connection

Connection via push-pull plugs according to IEC 61076-3-117, variant 14, or 7/8" plugs according to ANSI/B93.55M-1981 and M12 plugs according to IEC 61076-2-101.

#### Profinet RT switch

Point-to-point topology network structure due to integrated RT switch.

#### Flexible usage as interlocking or guard locking

By means of the corresponding evaluation of the safe device data by the control system, usage can be as either interlocking or guard locking (with or without monitoring).

#### Illuminated emergency stop

Emergency stop with illumination that can be controlled as required.

### Lens set

The color of the pushbuttons can be selected using the lens set 120344 included.

### Further information

- ▶ Dimension drawings see p. 121
- ▶ Technical data see p. 120
- ▶ Accessories and spare parts see p. 105
- ▶ [www.euchner.com](http://www.euchner.com)

- ▶ Integrated controls and indicators
- ▶ Pre-assembled on mounting plates
- ▶ Integrated Profinet RT switch

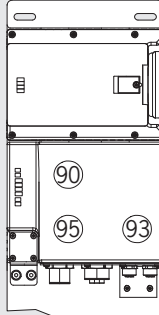



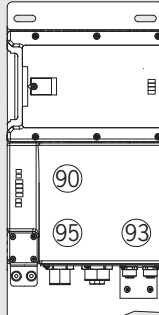



### Ordering table

Modules in the set					Ordering data, set		
Version/configuration scheme Order no. module combination	Controls and indicators	Data ranges	Handle module Order no. separate module	Escape release Order no. separate module	Door hinge (factory setting)	Order no./item	
							Evaluation module and bus module
121848  Incl. adhesive labels, push-pull plugs	S93	S90	S95	106049	Right	<b>121849</b> MGB-L2HB-PNA-R-121849 (Modules pre-assembled on mounting plates)	
	H93	H90	H95				
121853  Incl. adhesive labels, push-pull plugs		 *)	 *)	A	106221	Left  <b>121854</b> MGB-L2HB-PNA-L-121854 (Modules pre-assembled on mounting plates)	

\* The color can be selected using the lens set included.

(Continued on next page)

Ordering table (continued)

Modules in the set				Ordering data, set				
Version/configuration scheme Order no. module combination	Controls and indicators			Data ranges	Handle module Order no. separate module	Escape release Order no. separate module	Door hinge (Factory setting)	Order no./item
	S93 H93	S90 H90	S95 H95					
<p>121859</p>  <p>Pre-assembled on mounting plate, incl. adhesive labels, 7/8" plugs and M12 plugs</p>		 <p>*)</p>	 <p>*)</p>	A	106049 Pre-assembled on mounting plate	-	Right	<p><b>121860</b> MGB-L2HB-PNA-R-121860</p>
<p>121863</p>  <p>Pre-assembled on mounting plate, incl. adhesive labels, 7/8" plugs and M12 plugs</p>		 <p>*)</p>	 <p>*)</p>	A	106221 Pre-assembled on mounting plate	-	Left	<p><b>121864</b> MGB-L2HB-PNA-L-121864</p>

\* The color can be selected using the lens set included.

## Locking sets MGB-L2...-PN... (guard locking by solenoid force) with 3 controls or indicators



Cat. 4  
PLe



### Data ranges

You will require the corresponding GSD file in GSDML format in order to integrate the MGB system:  
GSDML-Vx.x-EUCHNER-MGB\_110026-YYYYMMDD.xml

You will find the GSD file in the download area at [www.euchner.com](http://www.euchner.com).

Prior to setup, the GSD file must be imported into the configuration software of the control system (see manual for your control system).

#### PROFINET data bytes

(unsafe input/output area)

**A**

#### Assignment in input area of the bus master

Slot 1/byte 0	-	-	S95.1	-	-	-	-	S90.1
Slot 1/byte 1	-	-	-	-	-	-	-	-
Slot 2/byte 0	-	-	-	-	-	-	-	S93
Slot 3/byte 0	ÜK	SK	-	-	-	R	R	T
Slot 4/byte 0	I24	-	-	-	-	I19	I18	I17
Slot 1/byte 0	Pushbutton S90 - S95 1st contact							
Slot 1/byte 1	Pushbutton S90 - S95 2nd contact							
Slot 2/byte 0	Emergency stop monitoring contact							
Slot 3/byte 0	Locking module							
Slot 4/byte 0	Diagnostic module							

#### Assignment in output area of the bus master

Slot 1/byte 0	-	-	H95	-	-	-	-	H90
Slot 2/byte 0	-	-	-	-	-	-	-	H93
Slot 3/byte 0	-	-	-	-	-	-	-	Sol.
Slot 4/byte 0	-	-	-	-	-	-	O18	O17
Slot 1/byte 0	LEDs H90 - H95							
Slot 2/byte 0	Emergency stop LED							
Slot 3/byte 0	Guard locking solenoid							
Slot 4/byte 0	Diagnostic module							

#### PROFIsafe data bytes

(safe input/output area)

**A**

#### Assignment of PROFIsafe in input area of the bus master

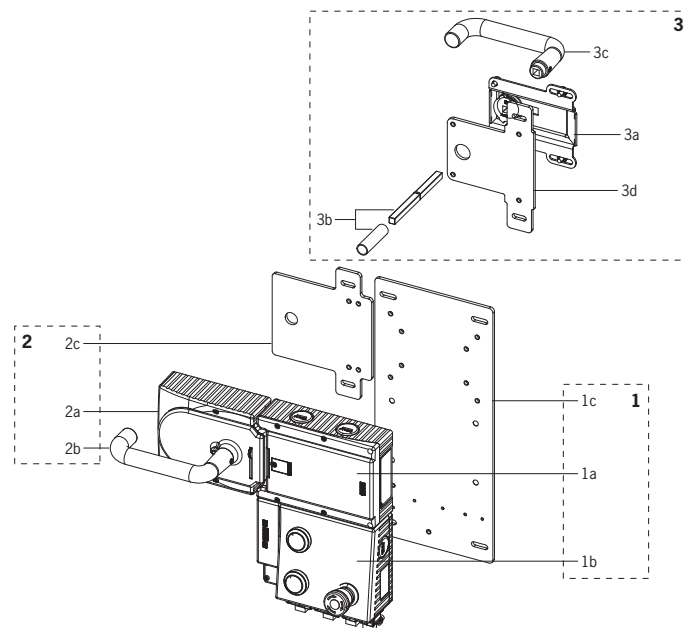
Byte n+0	-	-	-	SI5	SI4	SI3	-	SI1
Byte n+1	-	-	-	-	-	-	SI10	SI9
Byte n+2	PROFIsafe internal (control byte)							
Byte n+3	PROFIsafe internal (ser. no.)							
Byte n+4	PROFIsafe internal (CRC2)							
Byte n+5	PROFIsafe internal (CRC2)							
SI1	Emergency stop S93							
SI3	Door position (T)							
SI4	Bolt position (R)							
SI5	Guard locking (Z)							
SI9	SK (T AND R)							
SI10	ÜK (T AND R AND Z)							

#### Assignment of PROFIsafe in output area of the bus master

Byte n+0	-	-	-	-	-	-	-	SO1
Byte n+1	-	-	-	-	-	-	-	-
Byte n+2	PROFIsafe internal (control byte)							
Byte n+3	PROFIsafe internal (ser. no.)							
Byte n+4	PROFIsafe internal (CRC2)							
Byte n+5	PROFIsafe internal (CRC2)							
SO1	Guard locking solenoid							



## System components and spare parts



## Ordering table for system components, spare parts and accessories

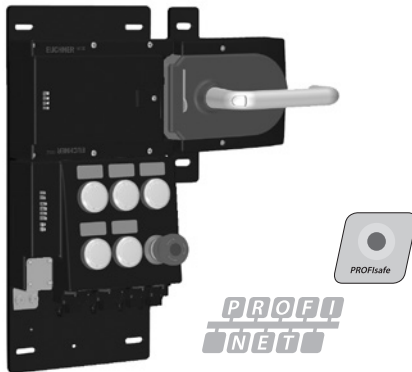
Notice: It is only possible to order spare parts that are given in the following ordering table with an order number.

Item	Designation	Use/description	Order No./item	
1	<b>System unit MGB-L2B-...</b> (guard locking by solenoid force)	For doors hinged on the left	<b>121853</b> MGB-L2B-PNA-L-121853	
		For doors hinged on the right	<b>121863</b> MGB-L2B-PNA-L-121863	
	comprising:		<b>121848</b> MGB-L2B-PNA-R-121848	
			<b>121859</b> MGB-L2B-PNA-R-121859	
1a	- Evaluation module		-	
1b	- Bus module		-	
1c	- Mounting plate			
2	<b>Handle module MGB-H-...</b> comprising:	For doors hinged on the left	<b>106221</b> MGB-H-AA1A2-L-106221	
		For doors hinged on the right	<b>106049</b> MGB-H-AA1A2-R-106049	
	2a	- Handle module		-
	2b	- Door handle	Color silver	<b>123926</b> MGB-A-DOORHANDLE-S2-123926
	2c	- Mounting plate	For handle module MGB-H-...	<b>109491</b> MGB-A-MOUNTINGPLATE-H-109491
3	<b>Escape release MGB-E-...</b> comprising:		<b>106051</b> MGB-E-A2-106051	
	3a	- Escape release		-
	3b	- Escape release shaft	Standard length 118 mm (square + sleeve)	-
		- Long escape release shaft (instead of item 3b)	Length 250 mm (square 8x8 mm + sleeve 182 mm long)	<b>106761</b> MGB-A-ESCAPERELEASESHAFT 250
	3c	- Door handle	Color red	<b>110276</b> MGB-A-DOORHANDLE-R-110276
3d	- Mounting plate	For escape release MGB-E-...	<b>109492</b> MGB-A-MOUNTINGPLATE-E-109492	

## Locking sets MGB-L2...-PN... (guard locking by solenoid force) with 6 controls or indicators



Cat. 4  
PLe



### Details

#### Profinet connection

Connection via push-pull plugs according to IEC 61076-3-117, variant 14.

#### Profinet RT switch

Point-to-point topology network structure due to integrated RT switch.

#### Flexible usage as interlocking or guard locking

By means of the corresponding evaluation of the safe device data by the control system, usage can be as either interlocking or guard locking (with or without monitoring).

#### Illuminated emergency stop

Emergency stop with illumination that can be controlled as required.

### Lens set

The color of the pushbuttons can be selected using the lens set 120344 included.

### Further information

- ▶ Dimension drawings see p. 121
- ▶ Technical data see p. 120
- ▶ Accessories and spare parts see p. 108
- ▶ [www.euchner.com](http://www.euchner.com)

- ▶ Integrated controls and indicators
- ▶ Pre-assembled on mounting plates
- ▶ Integrated Profinet RT switch

### Ordering table

Modules in the set							Ordering data, set				
Version/configuration scheme Order no. module combination	Controls and indicators						Data ranges	Handle module Order no. separate module	Escape release Order no. separate module	Door hinge (factory setting)	Order no./item
	S93 H93	S90 H90	S91 H91	S92 H92	S94 H94	S95 H94					
121836  Incl. adhesive labels							A	118838	-	Right	<b>121837</b> MGB-L2HB-PNA-R-121837 (Modules pre-assembled on mounting plates)
121838  Incl. adhesive labels		*)	*)	*)	*)	*)					

\* The color can be selected using the lens set included.

## Data ranges

You will require the corresponding GSD file in GSDML format in order to integrate the MGB system:  
GSDML-Vx.x-EUCHNER-MGB\_110026-YYYYMMDD.xml

You will find the GSD file in the download area at [www.euchner.com](http://www.euchner.com).

Prior to setup, the GSD file must be imported into the configuration software of the control system (see manual for your control system).

### PROFINET data bytes (unsafe input/output area)

**A**

#### Assignment in input area of the bus master

Slot 1/byte 0	-	-	S95.1	S94.1	-	S92.1	S91.1	S90.1
Slot 1/byte 1	-	-	-	-	-	-	-	-
Slot 2/byte 0	-	-	-	-	-	-	-	S93
Slot 3/byte 0	ÜK	SK	-	-	-	R	R	T
Slot 4/byte 0	I24	-	-	-	-	I19	I18	I17
Slot 1/byte 0	Pushbutton S90 - S95 1st contact							
Slot 1/byte 1	Pushbutton S90 - S95 2nd contact							
Slot 2/byte 0	Emergency stop monitoring contact							
Slot 3/byte 0	Locking module							
Slot 4/byte 0	Diagnostic module							

#### Assignment in output area of the bus master

Slot 1/byte 0	-	-	H95	H94	-	H92	H91	H90
Slot 2/byte 0	-	-	-	-	-	-	-	H93
Slot 3/byte 0	-	-	-	-	-	-	-	Sol.
Slot 4/byte 0	-	-	-	-	-	-	O18	O17
Slot 1/byte 0	LEDs H90 - H95							
Slot 2/byte 0	Emergency stop LED							
Slot 3/byte 0	Guard locking solenoid							
Slot 4/byte 0	Diagnostic module							

### PROFIsafe data bytes (safe input/output area)

**A**

#### Assignment of PROFIsafe in input area of the bus master

Byte n+0	-	-	-	SI5	SI4	SI3	-	SI1
Byte n+1	-	-	-	-	-	-	SI10	SI9
Byte n+2	PROFIsafe internal (control byte)							
Byte n+3	PROFIsafe internal (ser. no.)							
Byte n+4	PROFIsafe internal (CRC2)							
Byte n+5	PROFIsafe internal (CRC2)							
SI1	Emergency stop S93							
SI3	Door position (T)							
SI4	Bolt position (R)							
SI5	Guard locking (Z)							
SI9	SK (T AND R)							
SI10	ÜK (T AND R AND Z)							

#### Assignment of PROFIsafe in output area of the bus master

Byte n+0	-	-	-	-	-	-	-	S01
Byte n+1	-	-	-	-	-	-	-	-
Byte n+2	PROFIsafe internal (control byte)							
Byte n+3	PROFIsafe internal (ser. no.)							
Byte n+4	PROFIsafe internal (CRC2)							
Byte n+5	PROFIsafe internal (CRC2)							
S01	Guard locking solenoid							

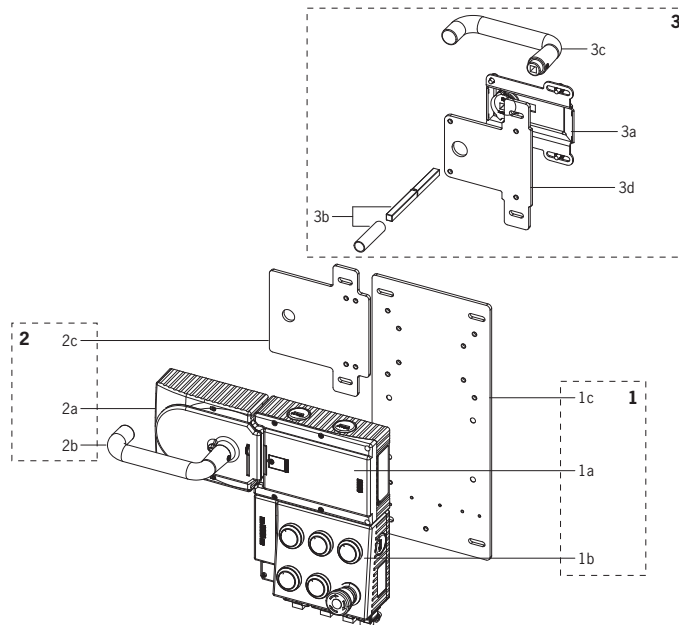
## Locking sets MGB-L2...-PN... (guard locking by solenoid force) with 6 controls or indicators



Cat. 4  
PLe



### System components and spare parts



### Ordering table for system components, spare parts and accessories

Notice: It is only possible to order spare parts that are given in the following ordering table with an order number.

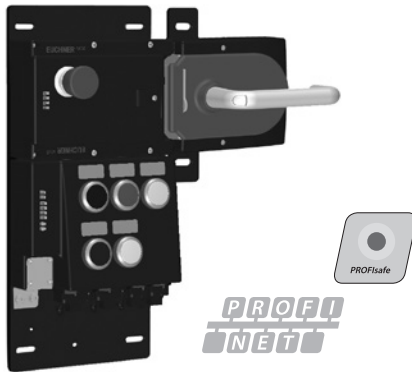
Item	Designation	Use/description	Order No./item	
1	<b>System unit MGB-L2B-...</b> (guard locking by spring force)	For doors hinged on the left	<b>121838</b> MGB-L2B-PNA-L-121838	
		For doors hinged on the right	<b>121836</b> MGB-L2B-PNA-R-121836	
	comprising:			
	<b>1a</b>	- Evaluation module	-	
	<b>1b</b>	- Bus module	-	
<b>1c</b>	- Mounting plate	-		
2	<b>Handle module MGB-H-...</b> comprising:	For doors hinged on the left	<b>111839</b> MGB-H-AA1A6-L-111839	
		For doors hinged on the right	<b>111838</b> MGB-H-AA1A6-R-111838	
	<b>2a</b>	- Handle module	-	
	<b>2b</b>	- Door handle	Color silver <b>123926</b> MGB-A-DOORHANDLE-S2-123926	
<b>2c</b>	- Mounting plate	For handle module MGB-H-... <b>109491</b> MGB-A-MOUNTINGPLATE-H-109491		
3	<b>Escape release MGB-E-...</b> comprising:		<b>106051</b> MGB-E-A2-106051	
		<b>3a</b>	- Escape release	-
	<b>3b</b>	- Escape release shaft	Standard length 118 mm (square 8x8 mm + sleeve)	-
		- Long escape release shaft (instead of item 3b)	Length 250 mm (square 8x8 mm + sleeve 182 mm long)	<b>106761</b> MGB-A-ESCAPERELEASESHAFT 250
	<b>3c</b>	- Door handle	Color red	<b>110276</b> MGB-A-DOORHANDLE-R-110276
<b>3d</b>	- Mounting plate	For escape release MGB-E-...	<b>109492</b> MGB-A-MOUNTINGPLATE-E-109492	



## Locking sets MGB-L2...-PN... (guard locking by solenoid force) with 6 controls or indicators



Cat. 4  
PLe



### Details

#### Profinet connection

Connection via push-pull plugs according to IEC 61076-3-117, variant 14.

#### Profinet RT switch

Point-to-point topology network structure due to integrated RT switch.

#### Flexible usage as interlocking or guard locking

By means of the corresponding evaluation of the safe device data by the control system, usage can be as either interlocking or guard locking (with or without monitoring).

#### Illuminated emergency stop

Emergency stop with illumination that can be controlled as required.

### Further information

- ▶ Dimension drawings see p. 121
- ▶ Technical data see p. 120
- ▶ Accessories and spare parts see p. 112
- ▶ [www.euchner.com](http://www.euchner.com)

- ▶ Integrated controls and indicators
- ▶ Pre-assembled on mounting plates
- ▶ Integrated Profinet RT switch

### Ordering table

Modules in the set							Ordering data, set				
Version/configuration scheme Order no. module combination	Controls and indicators						Data ranges	Handle module Order no. separate module	Escape release Order no. separate module	Door hinge (Factory setting)	Order no./item
	S1 H1	S90	S91	H92	S94 H94	S95 H94					
113133  Incl. adhesive labels							106049		Right	<b>113134</b> MGB-L2HB-PNA-R-113134 (Modules pre-assembled on mounting plates)	
 113990  Incl. adhesive labels							A	106221	Left	<b>113991</b> MGB-L2HB-PNA-L-113991 (Modules pre-assembled on mounting plates)	

## Data ranges

You will require the corresponding GSD file in GSDML format in order to integrate the MGB system:  
GSDML-Vx.x-EUCHNER-MGB\_110026-YYYYMMDD.xml

You will find the GSD file in the download area at [www.euchner.com](http://www.euchner.com).

Prior to setup, the GSD file must be imported into the configuration software of the control system (see manual for your control system).

### PROFINET data bytes (unsafe input/output area)



#### Assignment in input area of the bus master

Slot 1/byte 1	-	-	S95.1	S94.1	-	-	S91.1	S90.1
Slot 1/byte 2	-	-	-	-	-	-	-	-
Slot 2/byte 1	-	-	-	-	-	-	-	S1
Slot 4/byte 1	I24	-	-	-	-	I19	I18	I17
Slot 1/byte 1	Pushbutton S90 - S95 1st contact							
Slot 1/byte 2	Pushbutton S90 - S95 2nd contact							
Slot 2/byte 1	Emergency stop monitoring contact							
Slot 4/byte 1	Diagnostic module							

#### Assignment in output area of the bus master

Slot 1/byte 1	-	-	H95	H94	-	H92	-	-
Slot 2/byte 1	-	-	-	-	-	-	-	H1
Slot 3/byte 1	-	-	-	-	-	-	-	Sol.
Slot 4/byte 1	-	-	-	-	-	-	O18	O17
Slot 1/byte 1	LEDs H90 - H95							
Slot 2/byte 1	Emergency stop LED							
Slot 3/byte 1	Guard locking solenoid							
Slot 4/byte 1	Diagnostic module							

### PROFIsafe data bytes (safe input/output area)



#### Assignment of PROFIsafe in input area of the bus master

Byte n+0	-	-	-	SI5	SI4	SI3	-	SI1
Byte n+1	-	-	-	-	-	-	SI10	SI9
Byte n+2	PROFIsafe internal (control byte)							
Byte n+3	PROFIsafe internal (ser. no.)							
Byte n+4	PROFIsafe internal (CRC2)							
Byte n+5	PROFIsafe internal (CRC2)							
SI1	Emergency stop S1							
SI3	Door position (T)							
SI4	Bolt position (R)							
SI5	Guard locking (Z)							
SI9	SK (T AND R)							
SI10	ÜK (T AND R AND Z)							

#### Assignment of PROFIsafe in output area of the bus master

Byte n+0	-	-	-	-	-	-	-	S01
Byte n+1	-	-	-	-	-	-	-	-
Byte n+2	PROFIsafe internal (control byte)							
Byte n+3	PROFIsafe internal (ser. no.)							
Byte n+4	PROFIsafe internal (CRC2)							
Byte n+5	PROFIsafe internal (CRC2)							
S01	Guard locking solenoid							

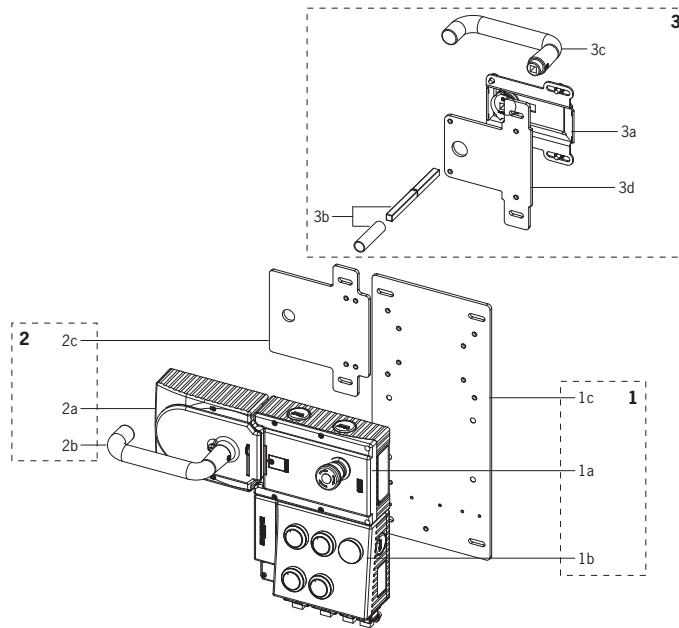
## Locking sets MGB-L2...-PN... (guard locking by solenoid force) with 6 controls or indicators



Cat.  
4  
PLe



### System components and spare parts



### Ordering table for system components, spare parts and accessories

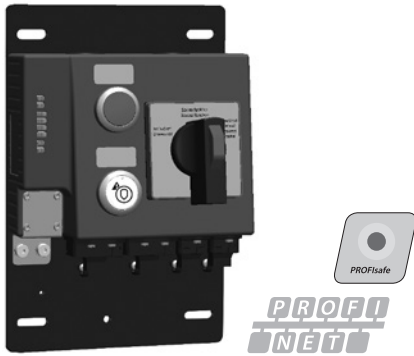
Notice: It is only possible to order spare parts that are given in the following ordering table with an order number.

Item	Designation	Use/description	Order No./item	
1	<b>System unit MGB-L2B-...</b> (guard locking by solenoid force)	For doors hinged on the left	<b>113990</b> MGB-L2B-PNA-L-113990	
		For doors hinged on the right	<b>113133</b> MGB-L2B-PNA-R-113133	
	comprising:			
	<b>1a</b>	- Evaluation module	-	
	<b>1b</b>	- Bus module	-	
	<b>1c</b>	- Mounting plate		
2	<b>Handle module MGB-H-...</b> comprising:	For doors hinged on the left	<b>106221</b> MGB-H-AA1A2-L-106221	
		For doors hinged on the right	<b>106049</b> MGB-H-AA1A2-R-106049	
	<b>2a</b>	- Handle module	-	
	<b>2b</b>	- Door handle	Color silver <b>123926</b> MGB-A-DOORHANDLE-S2-123926	
	<b>2c</b>	- Mounting plate	For handle module MGB-H-... <b>109491</b> MGB-A-MOUNTINGPLATE-H-109491	
3	<b>Escape release MGB-E-...</b> comprising:		<b>106051</b> MGB-E-A2-106051	
		<b>3a</b>	- Escape release	-
	<b>3b</b>	- Escape release shaft	Standard length 118 mm (square + sleeve)	-
		- Long escape release shaft (instead of item 3b)	Length 250 mm (square 8x8 mm + sleeve 182 mm long)	<b>106761</b> MGB-A-ESCAPERELEASESHAFT 250
	<b>3c</b>	- Door handle	Color red	<b>110276</b> MGB-A-DOORHANDLE-R-110276
	<b>3d</b>	- Mounting plate	For escape release MGB-E-...	<b>109492</b> MGB-A-MOUNTINGPLATE-E-109492





## Control modules MGB-...-PN



- ▶ Pre-assembled on mounting plates
- ▶ Integrated Profinet RT switch

### Details

#### Profinet connection

Connection via push-pull plugs according to IEC 61076-3-117, variant 14.

#### Profinet RT switch

Point-to-point topology network structure due to integrated RT switch.

#### Selector switch

- ▶ Selector switch with 3 positions (form V, 2x45°). The switch latches in all three positions.
- ▶ Selector switch illuminated with 3 positions (form V, 2x60°). The switch latches in three positions. Switch position only left and right. Both contacts are open in center position.

### Further information


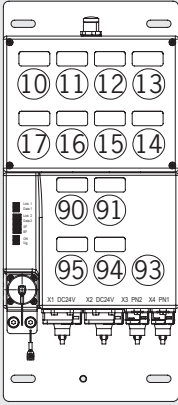













- ▶ Dimension drawings see p. 121
- ▶ Technical data see p. 120
- ▶ Accessories and spare parts see p. 63
- ▶ [www.euchner.com](http://www.euchner.com)

### Ordering table

Bus module and/or control module		Controls and indicators							Data ranges	Order no./item
Version/configuration scheme	H90	S92 H92	S91							
<p>PN</p> <p>Pre-assembled on mounting plate, incl. adhesive labels</p>	<p>rd</p>	<p>wh</p>	Form V 2x45° 	-	-	-	-	-	<b>A</b>	<b>123759</b> MGB-B-A1W2A2- PN-123759

(Continued on next page)

Ordering table (continued)

Bus module and/or control module 		Controls and indicators								Data ranges	Order no./item
Version/configuration scheme											
 <p>Pre-assembled on mounting plate, plug connector X14 for enabling switch ZSB077029, socket X6 for stacklight indicator, incl. adhesive labels</p>	<b>S10</b>	<b>S11</b>	<b>S12</b>	<b>S13</b>	<b>S14</b>	<b>S15</b>	<b>S16</b>	<b>S17</b>	<b>B</b>	<b>114744</b> MGB-CB-PN-114744	
	<b>H10</b>	<b>H11</b>	<b>H12</b>	<b>H13</b>	<b>H14</b>	<b>H15</b>	<b>H16</b>	<b>H17</b>			
	 wh	 wh	 wh	 wh	Form V, 2x60° 	Form V, 2x60° 	Form V, 2x60° 	Form V, 2x60° 			
	<b>S93</b>	<b>S90</b>	<b>S91</b>	<b>S94</b>	<b>S95</b>	-	-	-			
	<b>H90</b>	<b>H91</b>	<b>H94</b>	<b>H95</b>	-	-	-				
		 wh	 wh	Form V, 2x60° 	Form V, 2x60° 	-	-	-			

MGB-PN

## Control modules MGB-...-PN

### Data ranges

You will require the corresponding GSD file in GSDML format in order to integrate the MGB system:

GSDML-Vx.x-EUCHNER-MGB\_110026-YYYYMMDD.xml

You will find the GSD file in the download area at [www.euchner.com](http://www.euchner.com).

Prior to setup, the GSD file must be imported into the configuration software of the control system (see manual for your control system).

#### PROFINET data bytes

(unsafe input/output area)

**A**

#### With data structure A

##### Assignment in input area of the bus master

Slot 1/byte 0	-	-	-	-	-	-	-	-
Slot 1/byte 1	-	-	-	-	S92	-	-	-
Slot 1/byte 2	-	-	I22	-	-	-	-	I17
Slot 1/byte 1	Pushbutton S92							
Slot 1/byte 2	Diagnostic module							

##### Assignment in output area of the bus master

Slot 1/byte 0	-	-	-	-	-	-	-	-
Slot 1/byte 1	-	-	-	-	H92	H90	-	-
Slot 1/byte 2	-	-	-	-	-	-	-	O17
Slot 1/byte 1	LEDs H91 and H92							
Slot 1/byte 2	Acknowledgment							

#### With data structure C

##### Assignment in input area of the bus master

Slot 1/byte 0	-	-	-	-	-	-	S92	-	-
Slot 1/byte 1	-	-	-	-	-	-	-	-	-
Slot 2/byte 0	-	-	-	-	-	-	S91.3	S91.2	S91.1
Slot 3/byte 0	-	-	I22	-	-	-	-	-	I17
Slot 3/byte 1	-	-	-	-	-	-	-	-	-

##### Assignment in output area of the bus master

Slot 1/byte 0	-	-	-	-	-	-	-	-	H90
Slot 2/byte 0	-	-	-	-	-	-	-	-	-
Slot 3/byte 0	-	-	-	-	-	-	-	-	O17
Slot 3/byte 1	-	-	-	-	-	-	-	-	-
Slot 1/byte 0	LED H90								
Slot 3/byte 0	Acknowledgment								

#### PROFIsafe data bytes

(safe input/output area)

**A**

##### Assignment of PROFIsafe in input area of the bus master

Byte n+0	SI8	SI7	SI6	-	-	-	-	-
Byte n+1	SI16	-	-	-	-	-	-	-
Byte n+2	-	-	-	-	-	-	-	-
Byte n+3	-	-	-	-	-	-	-	-
Byte n+4	PROFIsafe internal (control byte)							
Byte n+5	PROFIsafe internal (ser. no.)							
Byte n+6	PROFIsafe internal (CRC2)							
Byte n+7	PROFIsafe internal (CRC2)							
SI6	Pushbutton S91 position S91.1 (left)							
SI7	Pushbutton S91 position S91.2 (center)							
SI8	Pushbutton S91 position S91.3 (right)							
SI16	Pushbutton S92 (not safe!)							

##### Assignment of PROFIsafe in output area of the bus master

Byte n+0	-	-	-	-	-	-	-	-
Byte n+1	-	-	-	-	-	-	-	-
Byte n+2	PROFIsafe internal (control byte)							
Byte n+3	PROFIsafe internal (ser. no.)							
Byte n+4	PROFIsafe internal (CRC2)							
Byte n+5	PROFIsafe internal (CRC2)							

##### Assignment of PROFIsafe in input area of the bus master

Byte n+0	SI8	SI7	SI6	-	-	-	-	-
Byte n+1	-	-	-	-	-	-	-	-
Byte n+2	-	SI23	SI22	-	-	-	-	-
Byte n+3	-	-	-	-	-	-	-	-
Byte n+4	PROFIsafe internal (control byte)							
Byte n+5	PROFIsafe internal (ser. no.)							
Byte n+6	PROFIsafe internal (CRC2)							
Byte n+7	PROFIsafe internal (CRC2)							
SI6	Pushbutton S91 position S91.1 (left)							
SI7	Pushbutton S91 position S91.2 (center)							
SI8	Pushbutton S91 position S91.3 (right)							
SI22	Acknowledgment pushbutton S91 position S91.1 (left)							
SI23	Acknowledgment pushbutton S91 position S91.2 (center)							

##### Assignment of PROFIsafe in output area of the bus master

Byte n+0	-	-	-	SO4	-	-	-	-
Byte n+1	-	-	-	-	-	-	-	-
Byte n+2	PROFIsafe internal (control byte)							
Byte n+3	PROFIsafe internal (ser. no.)							
Byte n+4	PROFIsafe internal (CRC2)							
Byte n+5	PROFIsafe internal (CRC2)							
SO4	External reset							

## PROFINET data bytes (unsafe input/output area)

**B**

### Assignment in input area of the bus master

Slot 1/byte 0	-	-	S95.1	S94.1	-	-	S91.1	S90.1
Slot 1/byte 1	-	-	S95.2	S94.2	-	-	-	-
Slot 2/byte 0	S17.1	S16.1	S15.1	S14.1	S13.1	S12.1	S11.1	S10.1
Slot 2/byte 1	S17.2	S16.2	S15.2	S14.2	-	-	-	-
Slot 4/byte 1	-	-	-	-	-	-	-	S93
Slot 5/byte 0	+ & -	ZT -	ZT +	-	-	-	-	ZTM
Slot 6/byte 0	-	-	-	-	I20	I19	-	I17
Slot 1/byte 0	Pushbutton S90 - S91 and S94 - S95 1st contact							
Slot 1/byte 1	Pushbutton S94 - S95 2nd contact							
Slot 2/byte 0	Pushbutton S10 - S17 1st contact							
Slot 2/byte 1	Pushbutton S10 - S17 2nd contact							
Slot 4/byte 0	Emergency stop monitoring contact (NHM)							
Slot 5/byte 0	Enabling switch +/- and monitoring contact (ZTM)							
Slot 6/byte 0	Diagnostic module							

### Assignment in output area of the bus master

Slot 1/byte 0	-	-	H95	H94	-	-	H91	H90
Slot 2/byte 0	H17	H16	H15	H14	H13	H12	H11	H10
Slot 3/byte 0	-	-	-	O21	O20	O19	O18	O17
Slot 4/byte 1	-	-	-	-	-	-	-	-
Slot 5/byte 0	-	-	-	-	-	-	ZT -	ZT +
Slot 6/byte 0	-	-	-	-	-	-	-	O17
Slot 1/byte 0	LEDs H90 - H95							
Slot 2/byte 0	LEDs H10 - H17							
Slot 3/byte 0	Stacklight module O17 - O21							
Slot 4/byte 0	LED for possible emergency stop (not used)							
Slot 5/byte 0	Enabling switch LEDs +/- (ZT)							
Slot 6/byte 0	Diagnostic module							

## PROFIsafe data bytes (safe input/output area)

**B**

### Assignment of PROFIsafe in input area of the bus master

Byte n+0	-	-	-	-	-	-	-	S12	S11
Byte n+1	-	-	-	-	-	-	-	-	-
Byte n+2	PROFIsafe internal (control byte)								
Byte n+3	PROFIsafe internal (ser. no.)								
Byte n+4	PROFIsafe internal (CRC2)								
Byte n+5	PROFIsafe internal (CRC2)								
S11	Emergency stop S93								
S12	Enabling switch X14								

### Assignment of PROFIsafe in output area of the bus master

Byte n+0	-	-	-	-	-	-	-	-	-
Byte n+1	-	-	-	-	-	-	-	-	-
Byte n+2	PROFIsafe internal (control byte)								
Byte n+3	PROFIsafe internal (ser. no.)								
Byte n+4	PROFIsafe internal (CRC2)								
Byte n+5	PROFIsafe internal (CRC2)								

## Assignment of the terminal plugs

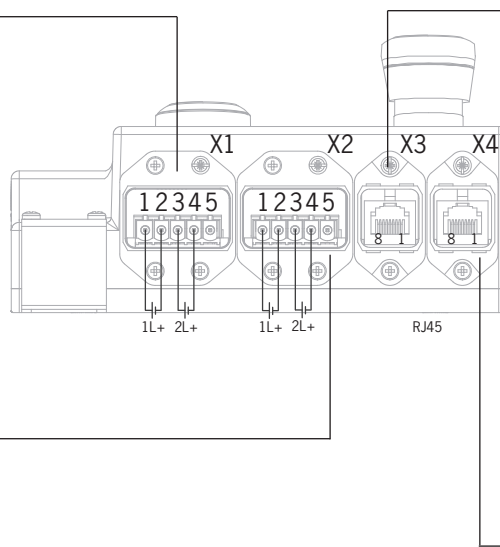
### Terminal assignment for version with push-pull plugs

Pin	Description
X1.1	1L+ operating voltage DC 24 V
X1.2	1M operating voltage 0 V
X1.3	2L+ auxiliary voltage* DC 24 V
X1.4	2M auxiliary voltage* 0 V
X1.5	Function earth

X2: For looping through for connected devices

X2.1	1L+ operating voltage DC 24 V
X2.2	1M operating voltage 0 V
X2.3	2L+ auxiliary voltage* DC 24 V
X2.4	2M auxiliary voltage* 0 V
X2.5	Function earth

\* The auxiliary voltage is not required for the MGB system



Pin	Description
X3.1	Receive Data +RD
X3.2	Receive Data -RD_N
X3.3	Transmit Data +TD
X3.4	Ground GND (RJ45)
X3.5	Ground GND (RJ45)
X3.6	Transmit Data -TD_N
X3.7	Ground GND (RJ45)
X3.8	Ground GND (RJ45)

X4: For looping through for connected devices (integrated RT switch)

X4.1	Receive Data +RD
X4.2	Receive Data -RD_N
X4.3	Transmit Data +TD
X4.4	Ground GND (RJ45)
X4.5	Ground GND (RJ45)
X4.6	Transmit Data -TD_N
X4.7	Ground GND (RJ45)
X4.8	Ground GND (RJ45)

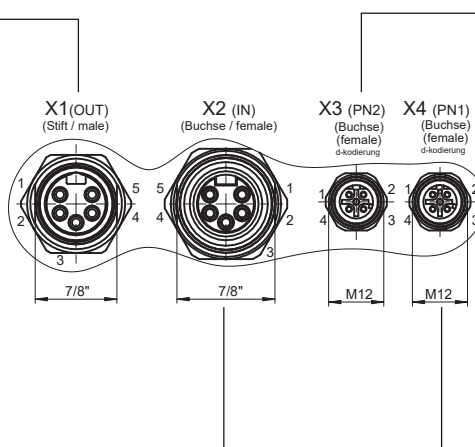
### Terminal assignment for version with 7/8" and M12 plugs

Pin	Description
X1.1	N2 auxiliary voltage *0 V
X1.2	N1 operating voltage 0 V
X1.3	Function earth
X1.4	L1 operating voltage DC 24 V
X1.5	L2 auxiliary voltage* DC 24 V

X2: For looping through for connected devices

X2.1	N2 auxiliary voltage *0 V
X2.2	N1 operating voltage 0 V
X2.3	Function earth
X2.4	L1 operating voltage DC 24 V
X2.5	L2 auxiliary voltage* DC 24 V

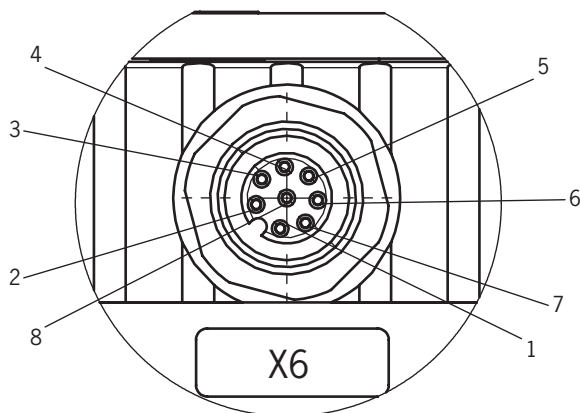
\* The auxiliary voltage is not required for the MGB system



Pin	Description
X3.1	Transmit Data +TD
X3.2	Receive Data +RD
X3.3	Transmit Data -TD_N
X3.4	Receive Data -RD_N
Function earth on plug housing	

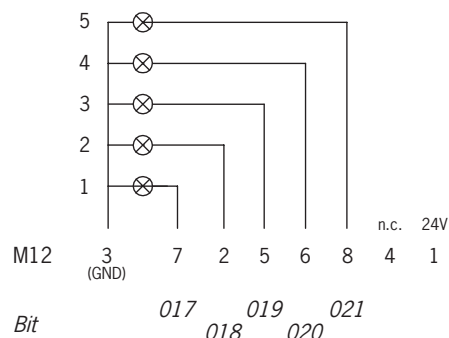
Pin	Description
X4.1	Transmit Data +TD
X4.2	Receive Data +RD
X4.3	Transmit Data -TD_N
X4.4	Receive Data -RD_N
Function earth on plug housing	

## Terminal assignment, plug connector X6 for stacklight module

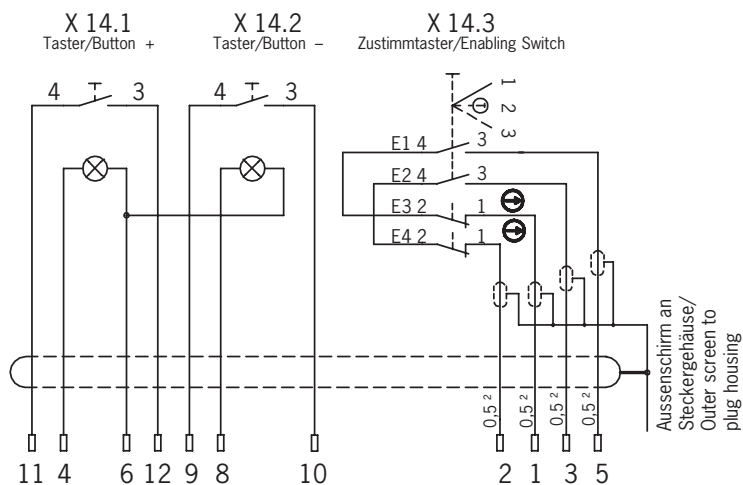


M 12

Built-in plug connector (8-pin/socket), aligned  
View of connection side



## Terminal assignment, plug connector X14 for enabling switch (e.g. ZSB077029)



## Technical data

Parameter	Value
$s_{gr}$ max. door position	65 mm
Housing material	Fiber glass reinforced plastic Die-cast zinc, nickel-plated, stainless steel, powder-coated sheet steel
Dimensions	See dimension drawing
Weight of MGB-L.B (bus module, locking module, and operating module with mounting plate)	4.05 kg
Weight of handle module with mounting plate	1.20 kg
Weight of escape release module with mounting plate	1.15 kg
Ambient temperature	-20 ... +55 °C
Degree of protection	IP 54
Safety class	III
Degree of contamination	3
Installation position	Any
Locking force $F_{zh}$	2000 N
Connection options, power supply	2 x push-pull power <sup>1)</sup> or 2 x plug connector 7/8" according to ANSI/B93.55M-1981
Connection, bus	2 x RJ 45, push-pull, according to IEC 61076-3-117 variant 14, screened <sup>1)</sup> or 2 x M12 plug connector (d-coded) according to IEC 61076-2-101
Connection cable, bus	Profinet I/O cable, at least cat. 5e
Operating voltage $U_b$	DC 24 V +10% / -15% (PELV – see electrical connection)
Current consumption, max.	500 mA
Max. feed-in current in the connection block (push-pull plug connector)	4000 mA
Fuse protection for power supply, external	Min. 1 A slow-blow
Safety outputs	Profisafe according to IEC 61784-3-3
Rated insulation voltage $U_i$	75 V
Rated impulse withstand voltage $U_{imp}$	0.5 kV
Resilience to vibration and shock	In accordance with EN 60947-5-3
EMC protection requirements	In acc. with EN 61000-4 and DIN EN 61326-3-1
Switching frequency max.	1 Hz
Risk times, max. (switch-off times <sup>2)</sup>	
- Emergency stop	250 ms
- Enabling switch	250 ms
- Operating mode selector switch	220 ms
- Door position	550 ms
- Bolt position	550 ms
- Guard locking	550 ms
<b>Reliability values acc. to EN ISO 13849-1</b>	
Category	4 (EN 13849-1:2008-12)
Performance Level	PL e (EN 13849-1:2008-12)
MTTF <sub>d</sub> <sup>3)</sup>	91 years
DC	99%
Mission time	20 years
PFH <sub>d</sub> <sup>3)</sup>	2.54 x 10 <sup>-8</sup> / h
PFH <sub>d</sub> for the evaluation of the emergency stop	2.5 x 10 <sup>-8</sup> / h
$B_{10d}$ <sup>4)</sup>	
- Emergency stop	1 x 10 <sup>5</sup>
- Enabling switch	According to switch information from manufacturer

1) The document *PROFINET Cabling and Interconnection Technology* from the PNO aids in the correct selection of wiring.

2) The risk time is the max. time between the change in the input status and the deletion of the corresponding bit in the bus protocol.

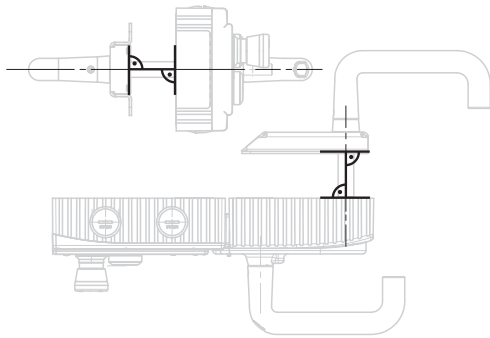
3) Fixed failure rate without consideration of faults in wearing parts.

4) Information regarding wearing parts without consideration of fixed failure rates in electronic components.

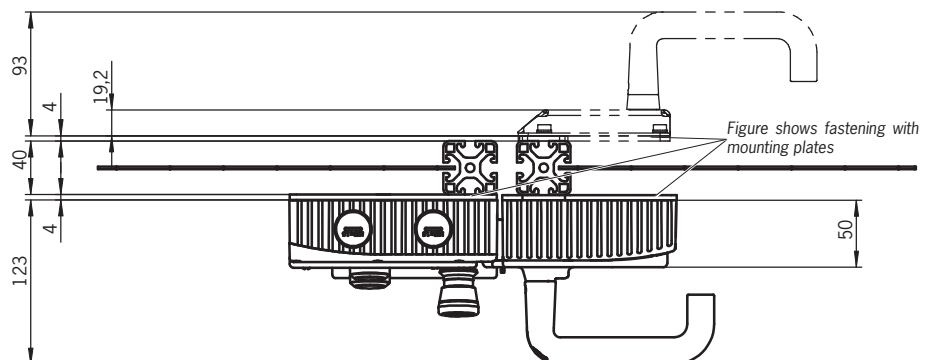
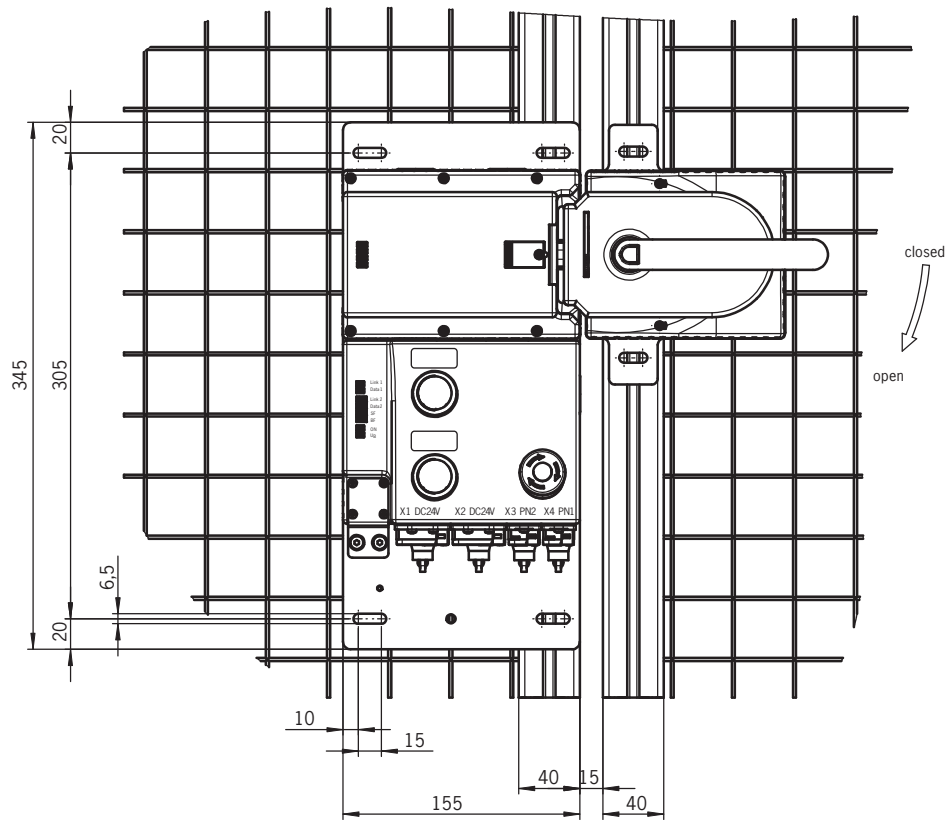
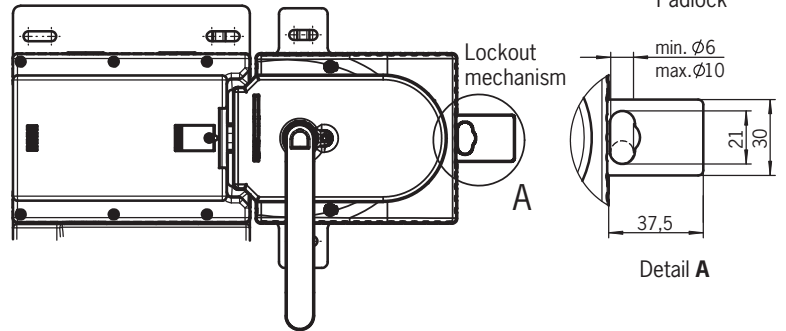


Dimension drawings

Locking set

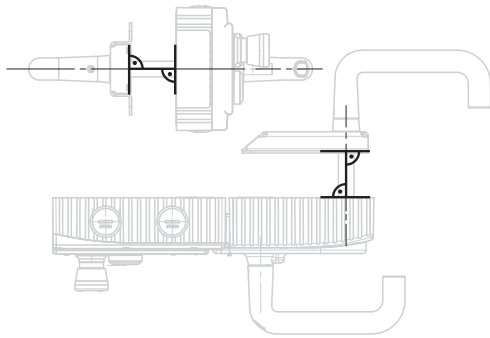


Dimensions with automatically extending lockout mechanism (optional)

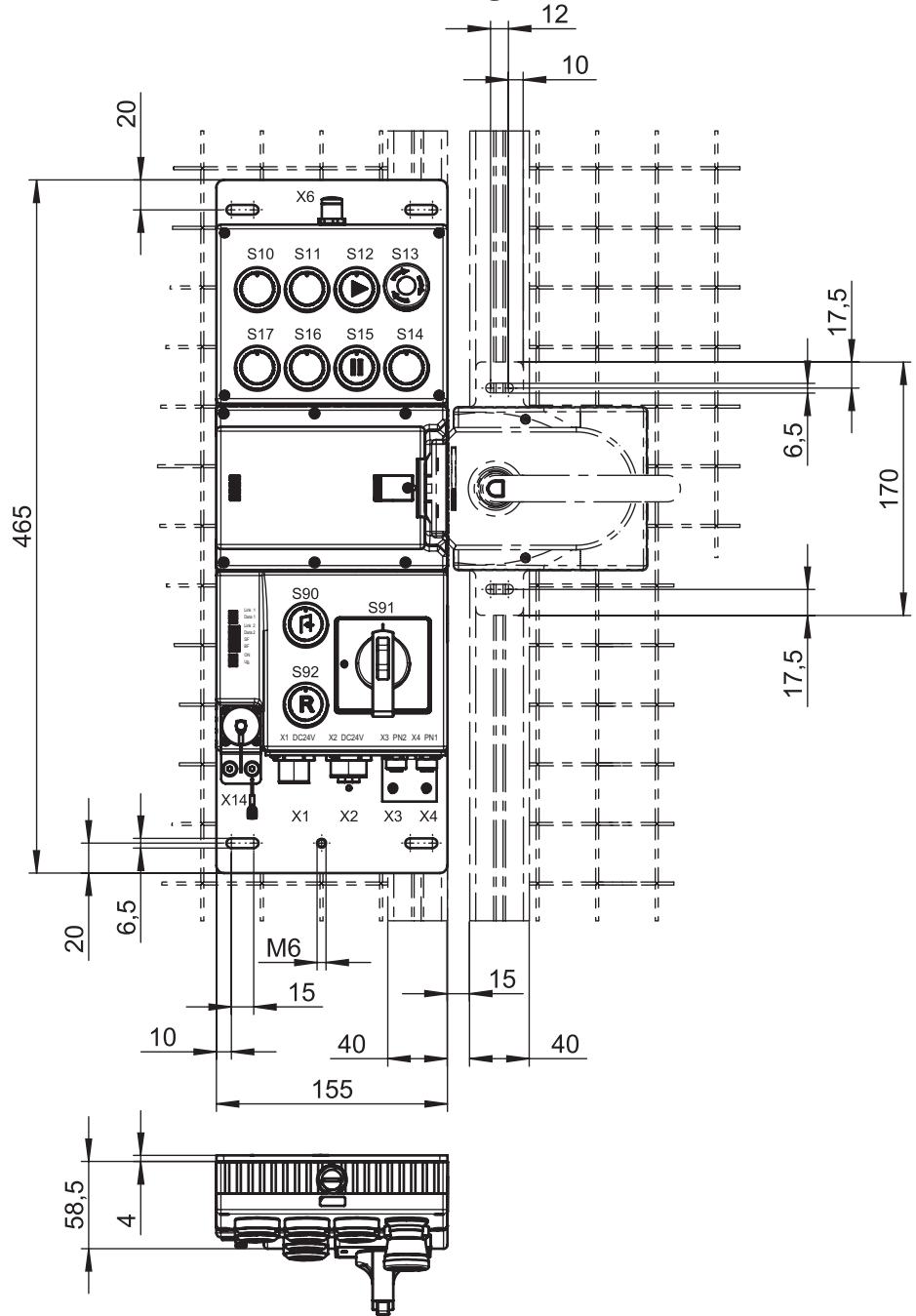
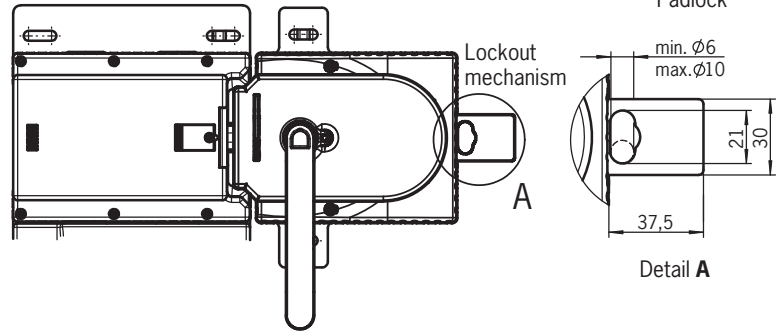


(Figure shows version for doors hinged on the right, pre-assembled on mounting plates)

Locking set

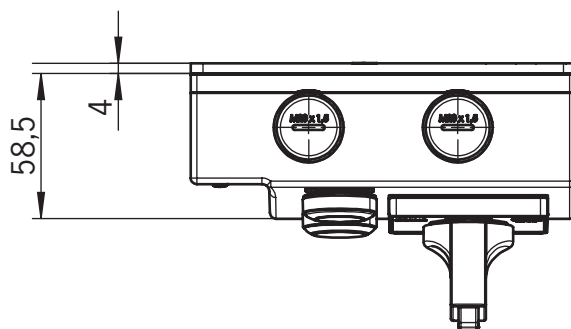
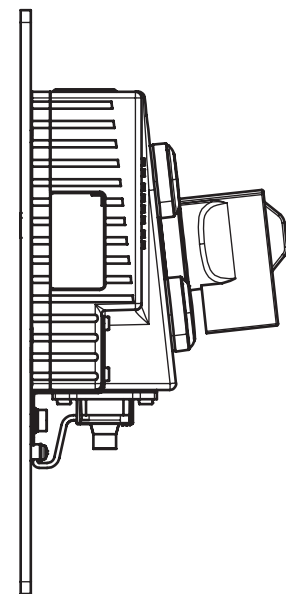
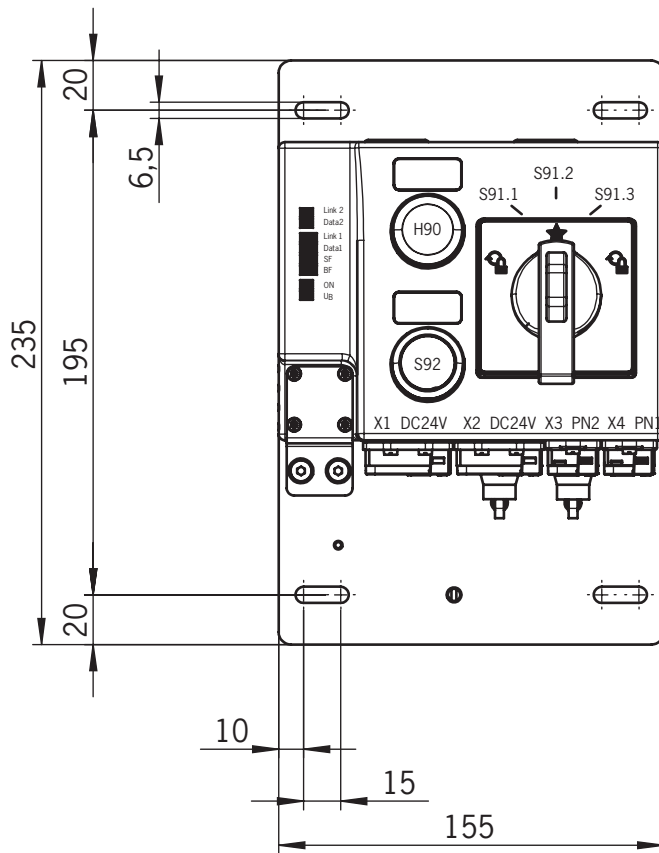
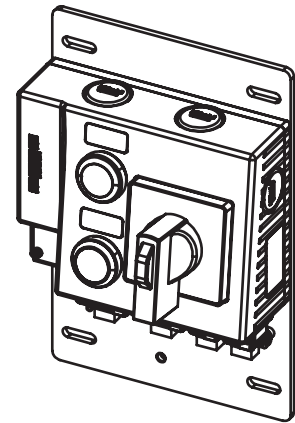


Dimensions with automatically extending lockout mechanism (optional)



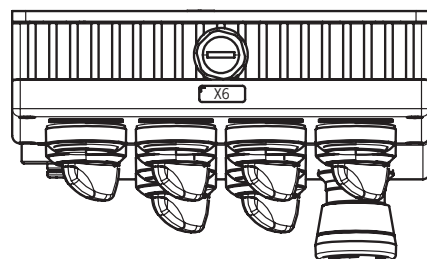
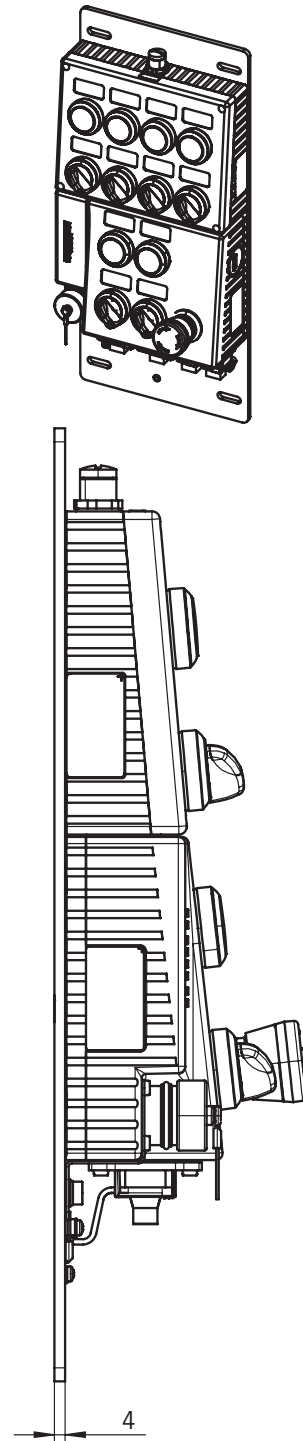
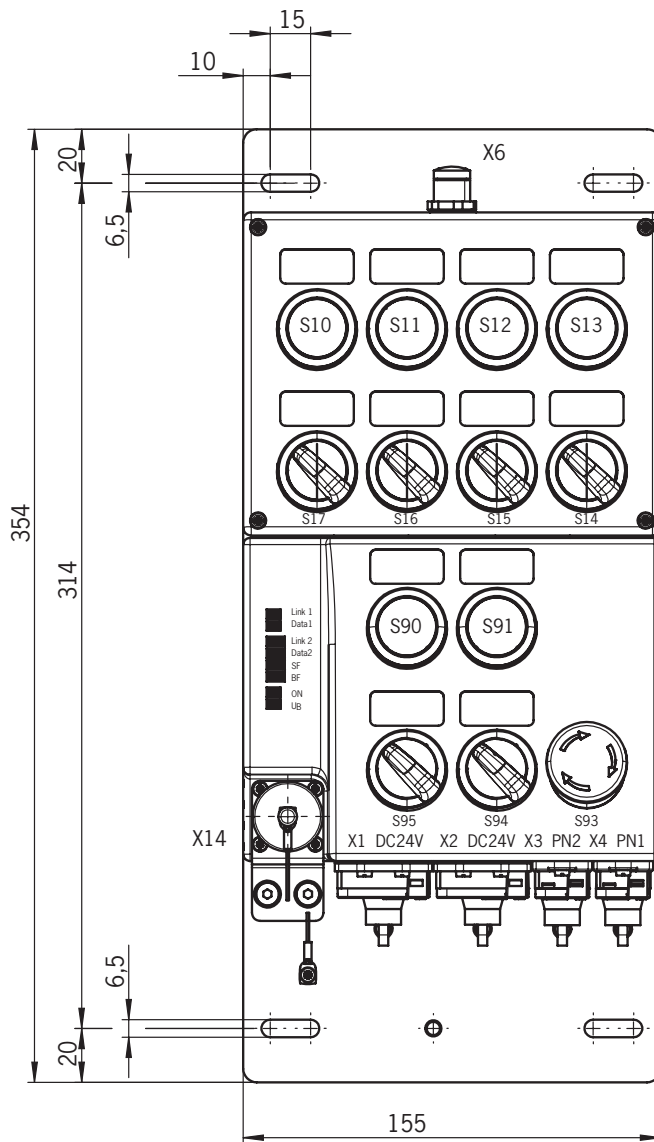
(Figure shows version for doors hinged on the right, pre-assembled on mounting plates)

**Control module MGB-B-...-PN on mounting plate**  
 (example based on MGB-B-A1W2A2-PN-123759)



MGB-PN

**Control module MGB-CB-...-PN on mounting plate**  
 (example based on MGB-CB-PN-114744)





## Index by item designation

Item	Order no.	Page	Item	Order no.	Page
C-M23F19-19XDIFPU01,5-MA-092761	092761	74	MGB-A-SCREW-156331/V5	156331	69
C-M23F19-19XDIFPU03,0-MA-092816	092816	74	MGB-B-A1W2A2-PN-123759	123759	114
C-M23F19-19XDIFPU06,0-MA-077014	077014	74	MGB-C-000000-A1-109219	109219	78
C-M23F19-19XDIFPU08,0-MA-077015	077015	74	MGB-C-OHHHHHHA1-114268	114268	78
C-M23F19-19XDIFPU10,0-MA-092898	092898	74	MGB-C-1BBBBPP-A3-112023	112023	78
C-M23F19-19XDIFPU15,0-MA-077016	077016	74	MGB-C-1EPPBPP-A3-112022	112022	78
C-M23F19-19XDIFPU20,0-MA-092726	092726	74	MGB-CB-PN-114744	114744	115
C-M23F19-19XDIFPU25,0-MA-092727	092727	74	MGB-E-A-100465	100465	68
C-M23F19-19XDIFPU30,0-MA-095993	095993	74	MGB-E-A2-106051	106051	68, 88, 93, 96, 100, 105, 108, 112
C-M23F19-19XDIFPU40,0-MA-102490	102490	74	MGB-E-A7-117126	117126	68
C-M23F19-PU01,5-MA-110301	110301	75	MGB-HAA1A1-L-106619	106619	65
C-M23F19-PU03,0-MA-110302	110302	75	MGB-HAA1A1-R-100464	100464	65
C-M23F19-PU06,0-MA-110303	110303	75	MGB-HAA1A2-L-106221	106221	88, 93, 100, 105, 112
C-M23F19-PU10,0-MA-110304	110304	75	MGB-HAA1A2-R-106049	106049	88
C-M23F19-PU15,0-MA-110305	110305	75	MGB-HAA1A2-R-106049	106049	93
C-M23F19-PU20,0-MA-110306	110306	75	MGB-HAA1A2-R-106049	106049	100, 105, 112
C-M23F19-PU25,0-MA-110307	110307	75	MGB-HAA1A3-L-111158	111158	67
C-M23F19-PU30,0-MA-122434	122434	75	MGB-HAA1A3-R-111157	111157	67
C-M23F19-PU40,0-MA-122435	122435	75	MGB-HAA1A6-L-111839	111839	96, 108
C-M27F26-PU01,1-MA-114976	114976	76	MGB-HAA1A6-R-111838	111838	96, 108
C-M27F26-PU02,0-MA-111997	111997	76	MGB-HAA1A7-L-121478	121478	65
C-M27F26-PU05,0-MA-111998	111998	76	MGB-HAA1A7-R-113201	113201	65
C-M27F26-PU10,0-MA-111999	111999	76	MGB-HAA1B1-L-114656	114656	65
C-M27F26-PU20,0-MA-112912	112912	76	MGB-HAA1B1-R-114655	114655	65
C-M27F26-PU35,0-MA-123829	123829	76	MGB-HAA1B2-L-116814	116814	67
C-M27F26-PU50,0-MA-123877	123877	76	MGB-HAA1B2-R-116813	116813	67
EKPM20/06	086223	73	MGB-LOH-ARR-105778	105778	10
Lead seal kit C1937	087256	69	MGB-LOH-ARA-L-121260	121260	14
MGB-A-BUSH-109524	109524	78, 82	MGB-LOH-ARA-R-121059	121059	12
MGB-A-DOORHANDLE-R-110276	110276	68, 88, 93, 96, 100, 105, 108, 112	MGB-LOH-ARA-R-121254	121254	14
MGB-A-DOORHANDLE-S-110277	110277	65	MGB-LOHC-ARA-L-110256	110256	54
MGB-A-DOORHANDLE-S2-123926	123926	65, 67, 88, 93, 96, 100, 105, 108, 112	MGB-LOHC-ARA-R-110255	110255	54
MGB-A-DOORKNOB-111460	111460	65	MGB-LOHE-AR-R-105780	105780	10
MGB-A-DOORKNOB-114904	114904	68	MGB-LOHE-ARA-L-110692	110692	14
MGB-A-DOORKNOB-S2-124030	124030	65, 67	MGB-LOHE-ARA-R-110691	110691	14
MGB-A-EMERGENCYRELEASE-112989	112989	69	MGB-LOHE-ARA-R-121233	121233	14
MGB-A-FLUCHTENTRIEGELUNGSWELLE 250	106761	68, 88, 93, 96, 100, 105, 108, 112	MGB-L1B-PNA-L-121833	121833	88
MGB-A-LENSSET-0001-120344	120344	70, 82	MGB-L1B-PNA-L-121855	121855	93
MGB-A-LENSSET-0002-120378	120378	70, 82	MGB-L1B-PNA-L-121861	121861	93
MGB-A-LENSSET-SY01-120377	120377	70, 82	MGB-L1B-PNA-R-121831	121831	88
MGB-A-LENSSET-SY02-125359	125359	70, 82	MGB-L1B-PNA-R-121851	121851	93
MGB-A-LENSSET-SY03-126158	126158	70, 82	MGB-L1B-PNA-R-121857	121857	93
MGB-A-LPSET-109858	109858	78	MGB-L1B-PNC-L-121867	121867	96
MGB-A-MOUNTINGPLATE-E-109492	109492	71, 88, 93, 96, 100, 105, 108, 112	MGB-L1B-PNC-R-121865	121865	96
MGB-A-MOUNTINGPLATE-H-109491	109491	71, 88, 93, 96, 100, 105, 108, 112	MGB-L1H-APA-L-110588	110588	26
MGB-A-MOUNTINGPLATE-L-109490	109490	71	MGB-L1H-APA-L-114238	114238	27
MGB-A-MOUNTINGPLATE-LC-110072	110072	71	MGB-L1H-APA-L-115179	115179	26
MGB-A-PLATESET-NN01-114529	114529	69, 81, 82	MGB-L1H-APA-L-115897	115897	27
MGB-A-PLUGCONNECTOR-RC18-1204035	120403	73	MGB-L1H-APA-R-110587	110587	26
			MGB-L1H-APA-R-114236	114236	27
			MGB-L1H-APA-R-115178	115178	26
			MGB-L1H-APA-R-115895	115895	27
			MGB-L1H-ARR-105782	105782	16
			MGB-L1H-ARR-105783	105783	27
			MGB-L1H-ARA-L-110614	110614	29
			MGB-L1H-ARA-L-111022	111022	30
			MGB-L1H-ARA-L-111073	111073	16
			MGB-L1H-ARA-L-111656	111656	22

Item	Order no.	Page	Item	Order no.	Page
MGB-L1H-ARAL-117231	117231	34	MGB-L2B-PNAR-113133	113133	112
MGB-L1H-ARAL-117316	117316	28	MGB-L2B-PNAR-114045	114045	100
MGB-L1H-ARAL-119926	119926	35	MGB-L2B-PNAR-121836	121836	108
MGB-L1H-ARAL-121107	121107	22	MGB-L2B-PNAR-121848	121848	105
MGB-L1H-ARAL-121171	121171	21	MGB-L2B-PNAR-121859	121859	105
MGB-L1H-ARAL-121211	121211	30	MGB-L2H-APAL-110549	110549	44
MGB-L1H-ARAL-121243	121243	28	MGB-L2H-APAR-110548	110548	44
MGB-L1H-ARAL-121262	121262	28	MGB-L2H-ARL-109781	109781	38
MGB-L1H-ARAL-121407	121407	35	MGB-L2H-ARR-105786	105786	38
MGB-L1H-ARAL-121414	121414	28	MGB-L2H-ARR-109780	109780	38
MGB-L1H-ARAL-124099	124099	20	MGB-L2H-ARAL-110616	110616	45
MGB-L1H-ARAR-110613	110613	29	MGB-L2H-ARAL-111926	111926	45
MGB-L1H-ARAR-111020	111020	30	MGB-L2H-ARAL-121029	121029	40
MGB-L1H-ARAR-111070	111070	16	MGB-L2H-ARAL-121071	121071	40
MGB-L1H-ARAR-111655	111655	22	MGB-L2H-ARAL-121114	121114	41
MGB-L1H-ARAR-117229	117229	34	MGB-L2H-ARAL-121175	121175	41
MGB-L1H-ARAR-117314	117314	28	MGB-L2H-ARAL-121245	121245	44
MGB-L1H-ARAR-119924	119924	35	MGB-L2H-ARAL-121264	121264	45
MGB-L1H-ARAR-121051	121051	20	MGB-L2H-ARAL-121400	121400	48
MGB-L1H-ARAR-121061	121061	21	MGB-L2H-ARAR-110615	110615	45
MGB-L1H-ARAR-121068	121068	21	MGB-L2H-ARAR-111924	111924	45
MGB-L1H-ARAR-121105	121105	22	MGB-L2H-ARAR-121025	121025	40
MGB-L1H-ARAR-121170	121170	21	MGB-L2H-ARAR-121065	121065	40
MGB-L1H-ARAR-121209	121209	30	MGB-L2H-ARAR-121112	121112	41
MGB-L1H-ARAR-121256	121256	27	MGB-L2H-ARAR-121173	121173	41
MGB-L1H-ARAR-121405	121405	35	MGB-L2H-ARAR-121238	121238	44
MGB-L1H-ARAR-121412	121412	28	MGB-L2H-ARAR-121258	121258	45
MGB-L1H-ARAR-124098	124098	20	MGB-L2H-ARAR-121398	121398	48
MGB-L1HB-PNAL-121834	121834	86	MGB-L2HB-PNAL-113989	113989	98
MGB-L1HB-PNAL-121856	121856	90	MGB-L2HB-PNAL-113991	113991	110
MGB-L1HB-PNAL-121862	121862	91	MGB-L2HB-PNAL-121839	121839	106
MGB-L1HB-PNAR-121832	121832	86	MGB-L2HB-PNAL-121854	121854	102
MGB-L1HB-PNAR-121852	121852	90	MGB-L2HB-PNAL-121864	121864	103
MGB-L1HB-PNAR-121858	121858	91	MGB-L2HB-PNAR-113134	113134	110
MGB-L1HB-PNCL-121868	121868	94	MGB-L2HB-PNAR-113988	113988	98
MGB-L1HB-PNCR-121866	121866	94	MGB-L2HB-PNAR-121837	121837	106
MGB-L1HC-ARAL-109807	109807	56	MGB-L2HB-PNAR-121849	121849	102
MGB-L1HC-ARAR-109806	109806	56	MGB-L2HB-PNAR-121860	121860	103
MGB-L1HE-APAL-121815	121815	34	MGB-L2HC-ARAL-112532	112532	58
MGB-L1HE-APAR-121813	121813	34	MGB-L2HC-ARAR-112531	112531	58
MGB-L1HE-ARR-105784	105784	16	MGB-L2HE-APAL-120602	120602	48
MGB-L1HE-ARR-109313	109313	28	MGB-L2HE-APAR-120600	120600	48
MGB-L1HE-ARR-110220	110220	27	MGB-L2HE-ARR-105788	105788	38
MGB-L1HE-ARAL-110690	110690	29	MGB-L2HE-ARAL-121072	121072	40
MGB-L1HE-ARAL-119809	119809	21	MGB-L2HE-ARAL-121195	121195	45
MGB-L1HE-ARAL-121040	121040	18	MGB-L2HE-ARAL-121246	121246	44
MGB-L1HE-ARAL-121069	121069	21	MGB-L2HE-ARAR-121066	121066	40
MGB-L1HE-ARAL-121089	121089	21	MGB-L2HE-ARAR-121191	121191	45
MGB-L1HE-ARAL-121218	121218	29	MGB-L2HE-ARAR-121239	121239	44
MGB-L1HE-ARAR-110689	110689	29	MP-A-B-00-00-00-109468	109468	81, 82
MGB-L1HE-ARAR-119807	119807	21	MP-A-C-CH-00-00-157842	157842	81, 82
MGB-L1HE-ARAR-120991	120991	18	MP-A-C-GM-21-00-109456	109456	81, 82
MGB-L1HE-ARAR-121035	121035	18	MP-A-C-GU-01-00-157840	157840	81, 82
MGB-L1HE-ARAR-121052	121052	20	MP-A-C-LC-WH-00-157841	157841	81, 82
MGB-L1HE-ARAR-121062	121062	21	MP-B-E-RD-00-A4-121808	121808	81, 82
MGB-L1HE-ARAR-121087	121087	21	MP-B-K-RR-00-A3-121807	121807	81, 82
MGB-L1HE-ARAR-121131	121131	20	MP-B-L-RO-GN-00-121805	121805	81, 82
MGB-L1HE-ARAR-121216	121216	29	MP-B-L-RO-RD-00-121802	121802	81, 82
MGB-L1HE-ARAR-121236	121236	27	MP-B-L-RO-WH-00-121804	121804	81, 82
MGB-L2B-PNAL-113990	113990	112	MP-B-L-RO-YE-00-121803	121803	81, 82
MGB-L2B-PNAL-114044	114044	100	MP-B-P-RT-NC-A1-121801	121801	81, 82
MGB-L2B-PNAL-121838	121838	108	MP-B-S-RR-00-A2-121806	121806	81, 82
MGB-L2B-PNAL-121853	121853	105	Pin crimp contact RCM-C1825	094310	73
MGB-L2B-PNAL-121863	121863	105	RC18EF-C1825	077025	73

## Index by order number

Order no.	Item	Page	Order no.	Item	Page
077014	C-M23F19-19XDIFPU06,0-MA-077014	74	110277	MGB-A-DOORHANDLE-S-110277	65
077015	C-M23F19-19XDIFPU08,0-MA-077015	74	110301	C-M23F19-PU01,5-MA-110301	75
077016	C-M23F19-19XDIFPU15,0-MA-077016	74	110302	C-M23F19-PU03,0-MA-110302	75
077025	RC18EF-C1825	73	110303	C-M23F19-PU06,0-MA-110303	75
086223	EKPM20/06	73	110304	C-M23F19-PU10,0-MA-110304	75
087256	Lead seal kit C1937	69	110305	C-M23F19-PU15,0-MA-110305	75
092726	C-M23F19-19XDIFPU20,0-MA-092726	74	110306	C-M23F19-PU20,0-MA-110306	75
092727	C-M23F19-19XDIFPU25,0-MA-092727	74	110307	C-M23F19-PU25,0-MA-110307	75
092761	C-M23F19-19XDIFPU01,5-MA-092761	74	110548	MGB-L2H-APA-R-110548	44
092816	C-M23F19-19XDIFPU03,0-MA-092816	74	110549	MGB-L2H-APA-L-110549	44
092898	C-M23F19-19XDIFPU10,0-MA-092898	74	110587	MGB-L1H-APA-R-110587	26
094310	Pin crimp contact RCM-C1825	73	110588	MGB-L1H-APA-L-110588	26
095993	C-M23F19-19XDIFPU30,0-MA-095993	74	110613	MGB-L1H-ARA-R-110613	29
100464	MGB-HAA1A1-R-100464	65	110614	MGB-L1H-ARA-L-110614	29
100465	MGB-E-A-100465	68	110615	MGB-L2H-ARA-R-110615	45
102490	C-M23F19-19XDIFPU40,0-MA-102490	74	110616	MGB-L2H-ARA-L-110616	45
105778	MGB-LOH-AR-R-105778	10	110689	MGB-L1HE-ARA-R-110689	29
105780	MGB-LOHE-AR-R-105780	10	110690	MGB-L1HE-ARA-L-110690	29
105782	MGB-L1H-AR-R-105782	16	110691	MGB-LOHE-ARA-R-110691	14
105783	MGB-L1H-AR-R-105783	27	110692	MGB-LOHE-ARA-L-110692	14
105784	MGB-L1HE-AR-R-105784	16	111020	MGB-L1H-ARA-R-111020	30
105786	MGB-L2H-AR-R-105786	38	111022	MGB-L1H-ARA-L-111022	30
105788	MGB-L2HE-AR-R-105788	38	111070	MGB-L1H-ARA-R-111070	16
106049	MGB-HAA1A2-R-106049	88	111073	MGB-L1H-ARA-L-111073	16
106049	MGB-HAA1A2-R-106049	93	111157	MGB-HAA1A3-R-111157	67
106049	MGB-HAA1A2-R-106049	100, 105, 112	111158	MGB-HAA1A3-L-111158	67
106051	MGB-E-A2-106051	68, 88, 93, 96, 100, 105, 108, 112	111460	MGB-A-DOORKNOB-111460	65
106221	MGB-HAA1A2-L-106221	88, 93, 100, 105, 112	111655	MGB-L1H-ARA-R-111655	22
106619	MGB-HAA1A1-L-106619	65	111656	MGB-L1H-ARA-L-111656	22
106761	MGB-A-FLUCHTENTRIEGELUNGSWELLE 250	68, 88, 93, 96, 100, 105, 108, 112	111838	MGB-HAA1A6-R-111838	96, 108
109219	MGB-C-000000-A1-109219	78	111839	MGB-HAA1A6-L-111839	96, 108
109313	MGB-L1HE-AR-R-109313	28	111924	MGB-L2H-ARA-R-111924	45
109456	MP-A-C-GM-21-00-109456	81, 82	111926	MGB-L2H-ARA-L-111926	45
109468	MP-A-B-00-00-00-109468	81, 82	111997	C-M27F26-PU02,0-MA-111997	76
109490	MGB-A-MOUNTINGPLATE-L-109490	71	111998	C-M27F26-PU05,0-MA-111998	76
109491	MGB-A-MOUNTINGPLATE-H-109491	71, 88, 93, 96, 100, 105, 108, 112	111999	C-M27F26-PU10,0-MA-111999	76
109492	MGB-A-MOUNTINGPLATE-E-109492	71, 88, 93, 96, 100, 105, 108, 112	112022	MGB-C-1EPPBPP-A3-112022	78
109524	MGB-A-BUSH-109524	78, 82	112023	MGB-C-1BBBPP-A3-112023	78
109780	MGB-L2H-AR-R-109780	38	112531	MGB-L2HC-ARA-R-112531	58
109781	MGB-L2H-AR-L-109781	38	112532	MGB-L2HC-ARA-L-112532	58
109806	MGB-L1HC-ARA-R-109806	56	112912	C-M27F26-PU20,0-MA-112912	76
109807	MGB-L1HC-ARA-L-109807	56	112989	MGB-A-EMERGENCYRELEASE-112989	69
109858	MGB-ALPSET-109858	78	113133	MGB-L2B-PNA-R-113133	112
110072	MGB-A-MOUNTINGPLATE-LC-110072	71	113134	MGB-L2HB-PNA-R-113134	110
110220	MGB-L1HE-AR-R-110220	27	113201	MGB-HAA1A7-R-113201	65
110255	MGB-LOHC-ARA-R-110255	54	113988	MGB-L2HB-PNA-R-113988	98
110256	MGB-LOHC-ARA-L-110256	54	113989	MGB-L2HB-PNA-L-113989	98
110276	MGB-A-DOORHANDLE-R-110276	68, 88, 93, 96, 100, 105, 108, 112	113990	MGB-L2B-PNA-L-113990	112
			113991	MGB-L2HB-PNA-L-113991	110
			114044	MGB-L2B-PNA-L-114044	100
			114045	MGB-L2B-PNA-R-114045	100
			114236	MGB-L1H-APA-R-114236	27
			114238	MGB-L1H-APA-L-114238	27
			114268	MGB-C-0HHHHHH-A1-114268	78
			114529	MGB-A-PLATESET-NN01-114529	69, 81, 82
			114655	MGB-HAA1B1-R-114655	65
			114656	MGB-HAA1B1-L-114656	65
			114744	MGB-CB-PN-114744	115
			114904	MGB-A-DOORKNOB-114904	68
			114976	C-M27F26-PU01,1-MA-114976	76
			115178	MGB-L1H-APA-R-115178	26
			115179	MGB-L1H-APA-L-115179	26
			115895	MGB-L1H-APA-R-115895	27
			115897	MGB-L1H-APA-L-115897	27



Order no.	Item	Page	Order no.	Item	Page
116813	MGB-HAA1B2-R-116813	67	121400	MGB-L2H-ARA-L-121400	48
116814	MGB-HAA1B2-L-116814	67	121405	MGB-L1H-ARA-R-121405	35
117126	MGB-E-A7-117126	68	121407	MGB-L1H-ARA-L-121407	35
117229	MGB-L1H-ARA-R-117229	34	121412	MGB-L1H-ARA-R-121412	28
117231	MGB-L1H-ARA-L-117231	34	121414	MGB-L1H-ARA-L-121414	28
117314	MGB-L1H-ARA-R-117314	28	121478	MGB-HAA1A7-L-121478	65
117316	MGB-L1H-ARA-L-117316	28	121801	MP-B-P-RT-NC-A1-121801	81, 82
119807	MGB-L1HE-ARA-R-119807	21	121802	MP-B-L-RO-RD-00-121802	81, 82
119809	MGB-L1HE-ARA-L-119809	21	121803	MP-B-L-RO-YE-00-121803	81, 82
119924	MGB-L1H-ARA-R-119924	35	121804	MP-B-L-RO-WH-00-121804	81, 82
119926	MGB-L1H-ARA-L-119926	35	121805	MP-B-L-RO-GN-00-121805	81, 82
120344	MGB-A-LENSSET-0001-120344	70, 82	121806	MP-B-S-RR-00-A2-121806	81, 82
120377	MGB-A-LENSSET-SY01-120377	70, 82	121807	MP-B-K-RR-00-A3-121807	81, 82
120378	MGB-A-LENSSET-0002-120378	70, 82	121808	MP-B-E-RD-00-A4-121808	81, 82
120403	MGB-A-PLUGCONNECTOR-RC18-1204035	73	121813	MGB-L1HE-APA-R-121813	34
120600	MGB-L2HE-APA-R-120600	48	121815	MGB-L1HE-APA-L-121815	34
120602	MGB-L2HE-APA-L-120602	48	121831	MGB-L1B-PNA-R-121831	88
120991	MGB-L1HE-ARA-R-120991	18	121832	MGB-L1HB-PNA-R-121832	86
121025	MGB-L2H-ARA-R-121025	40	121833	MGB-L1B-PNA-L-121833	88
121029	MGB-L2H-ARA-L-121029	40	121834	MGB-L1HB-PNA-L-121834	86
121035	MGB-L1HE-ARA-R-121035	18	121836	MGB-L2B-PNA-R-121836	108
121040	MGB-L1HE-ARA-L-121040	18	121837	MGB-L2HB-PNA-R-121837	106
121051	MGB-L1H-ARA-R-121051	20	121838	MGB-L2B-PNA-L-121838	108
121052	MGB-L1HE-ARA-R-121052	20	121839	MGB-L2HB-PNA-L-121839	106
121059	MGB-LOH-ARA-R-121059	12	121848	MGB-L2B-PNA-R-121848	105
121061	MGB-L1H-ARA-R-121061	21	121849	MGB-L2HB-PNA-R-121849	102
121062	MGB-L1HE-ARA-R-121062	21	121851	MGB-L1B-PNA-R-121851	93
121065	MGB-L2H-ARA-R-121065	40	121852	MGB-L1HB-PNA-R-121852	90
121066	MGB-L2HE-ARA-R-121066	40	121853	MGB-L2B-PNA-L-121853	105
121068	MGB-L1H-ARA-R-121068	21	121854	MGB-L2HB-PNA-L-121854	102
121069	MGB-L1HE-ARA-L-121069	21	121855	MGB-L1B-PNA-L-121855	93
121071	MGB-L2H-ARA-L-121071	40	121856	MGB-L1HB-PNA-L-121856	90
121072	MGB-L2HE-ARA-L-121072	40	121857	MGB-L1B-PNA-R-121857	93
121087	MGB-L1HE-ARA-R-121087	21	121858	MGB-L1HB-PNA-R-121858	91
121089	MGB-L1HE-ARA-L-121089	21	121859	MGB-L2B-PNA-R-121859	105
121105	MGB-L1H-ARA-R-121105	22	121860	MGB-L2HB-PNA-R-121860	103
121107	MGB-L1H-ARA-L-121107	22	121861	MGB-L1B-PNA-L-121861	93
121112	MGB-L2H-ARA-R-121112	41	121862	MGB-L1HB-PNA-L-121862	91
121114	MGB-L2H-ARA-L-121114	41	121863	MGB-L2B-PNA-L-121863	105
121131	MGB-L1HE-ARA-R-121131	20	121864	MGB-L2HB-PNA-L-121864	103
121170	MGB-L1H-ARA-R-121170	21	121865	MGB-L1B-PNC-R-121865	96
121171	MGB-L1H-ARA-L-121171	21	121866	MGB-L1HB-PNC-R-121866	94
121173	MGB-L2H-ARA-R-121173	41	121867	MGB-L1B-PNC-L-121867	96
121175	MGB-L2H-ARA-L-121175	41	121868	MGB-L1HB-PNC-L-121868	94
121191	MGB-L2HE-ARA-R-121191	45	122434	C-M23F19-PU30,0-MA-122434	75
121195	MGB-L2HE-ARA-L-121195	45	122435	C-M23F19-PU40,0-MA-122435	75
121209	MGB-L1H-ARA-R-121209	30	123759	MGB-B-A1W2A2-PN-123759	114
121211	MGB-L1H-ARA-L-121211	30	123829	C-M27F26-PU35,0-MA-123829	76
121216	MGB-L1HE-ARA-R-121216	29	123877	C-M27F26-PU50,0-MA-123877	76
121218	MGB-L1HE-ARA-L-121218	29	123926	MGB-A-DOORHANDLE-S2-123926	65, 67, 88, 93, 96, 100, 105, 108, 112
121233	MGB-LOHE-ARA-R-121233	14	124030	MGB-A-DOORKNOB-S2-124030	65, 67
121236	MGB-L1HE-ARA-R-121236	27	124098	MGB-L1H-ARA-R-124098	20
121238	MGB-L2H-ARA-R-121238	44	124099	MGB-L1H-ARA-L-124099	20
121239	MGB-L2HE-ARA-R-121239	44	125359	MGB-A-LENSSET-SY02-125359	70, 82
121243	MGB-L1H-ARA-L-121243	28	126158	MGB-A-LENSSET-SY03-126158	70, 82
121245	MGB-L2H-ARA-L-121245	44	156331	MGB-A-SCREW-156331/V5	69
121246	MGB-L2HE-ARA-L-121246	44	157840	MP-A-C-GU-01-00-157840	81, 82
121254	MGB-LOH-ARA-R-121254	14	157841	MP-A-C-LC-WH-00-157841	81, 82
121256	MGB-L1H-ARA-R-121256	27	157842	MP-A-C-CH-00-00-157842	81, 82
121258	MGB-L2H-ARA-R-121258	45			
121260	MGB-LOH-ARA-L-121260	14			
121262	MGB-L1H-ARA-L-121262	28			
121264	MGB-L2H-ARA-L-121264	45			
121398	MGB-L2H-ARA-R-121398	48			

# Representatives

## International

### Austria

EUCHNER GmbH  
Aumühlweg 17-19/Halle 1C  
2544 Leobersdorf  
Tel. +43 720 010 200  
Fax +43 720 010 200-20  
info@euchner.at

### Benelux

EUCHNER (BENELUX) BV  
Visschersbuurt 23  
3356 AE Papendrecht  
Tel. +31 78 615-4766  
Fax +31 78 615-4311  
info@euchner.nl

### Brazil

EUCHNER Com.Comp.  
Eletronicos Ltda.  
Av. Prof. Luiz Ignácio Anhaia Mello,  
no. 4387  
Vila Graciosa  
São Paulo - SP - Brasil  
CEP 03295-000  
Tel. +55 11 29182200  
Fax +55 11 23010613  
euchner@euchner.com.br

### Canada

EUCHNER Canada Inc.  
2105 Fasan Drive  
Oldcastle, ON NOR 1L0  
Tel. +1 519 800-8397  
Fax +1 519 737-0314  
sales@euchner.ca

### China

EUCHNER (Shanghai)  
Trading Co., Ltd.  
No. 15 building,  
No. 68 Zhongchuang Road,  
Songjiang  
Shanghai, 201613, P.R.C  
Tel. +86 21 5774-7090  
Fax +86 21 5774-7599  
info@euchner.com.cn

### Czech Republic

EUCHNER electric s.r.o.  
Trnkova 3069/117h  
628 00 Brno  
Tel. +420 533 443-150  
Fax +420 533 443-153  
info@euchner.cz

### Denmark

Duelco A/S  
Systemvej 8 - 10  
9200 Aalborg SV  
Tel. +45 7010 1007  
Fax +45 7010 1008  
info@duelco.dk

### Estonia

Sähkölehto OÜ  
Hobujaama 4  
Tallinn 10151  
Tel. +372 56 645 400  
office@sahkolehto.fi

### Finland

Sähkölehto Oy  
Holkkitie 14  
00880 Helsinki  
Tel. +358 9 7746420  
office@sahkolehto.fi

### France

EUCHNER France S.A.R.L.  
Parc d'Affaires des Bellevues  
Allée Rosa Luxembourg  
Bâtiment le Colorado  
95610 ERAGNY sur OISE  
Tel. +33 1 3909-9090  
Fax +33 1 3909-9099  
info@euchner.fr

### Hungary

EUCHNER Magyarország Kft.  
FSD Park 2,  
2045 Törökbálint  
Tel. +36 1 919 0855  
Fax +36 1 919 0857  
info@euchner.hu

### India

EUCHNER (India) Pvt. Ltd.  
401, Bremen Business Center,  
City Survey No. 2562,  
University Road  
Aundh, Pune - 411007  
Tel. +91 20 64016384  
Fax +91 20 25885148  
info@euchner.in

### Israel

Ilan & Gavish Automation Service Ltd.  
26 Shenkar St. Qiryat Arie 49513  
P.O. Box 10118  
Petach Tikva 49001  
Tel. +972 3 9221824  
Fax +972 3 9240761  
mail@ilan-gavish.com

### Italy

TRITECNICA SpA  
Viale Lazio 26  
20135 Milano  
Tel. +39 02 541941  
Fax +39 02 55010474  
info@tritecnica.it

### Japan

EUCHNER Co., Ltd.  
1269-1 Komakiharashinden,  
Komaki-shi, Aichi-ken  
485-0012, Japan  
Tel. +81 568 74 5237  
Fax +81 568 74 5238  
info@euchner.jp

### Korea

EUCHNER Korea Co., Ltd.  
115 Gasan Digital 2 - Ro  
(Gasan-dong, Daeryung  
Technotown 3rd Rm 810)  
153 - 803 Kumchon-Gu, Seoul  
Tel. +82 2 2107-3500  
Fax +82 2 2107-3999  
info@euchner.co.kr

### Mexico

EUCHNER México S de RL de CV  
Conjunto Industrial PK Co.  
Carretera Estatal 431 km. 1+300  
Ejido El Colorado, El Marqués  
76246 Querétaro, México  
Tel. +52 442 402 1485  
Fax +52 442 402 1486  
info@euchner.mx

### Poland

EUCHNER Sp. z o.o.  
Krańskięskiego 29  
40-019 Katowice  
Tel. +48 32 252 20 09  
Fax +48 32 252 20 13  
info@euchner.pl

### Portugal

PAM Servicos Tecnicos Industriais Lda.  
Rua de Timor - Pavilhao 2A  
Zona Industrial da Abelheira  
4785-123 Trofa  
Tel. +351 252 418431  
Fax +351 252 494739  
pam@mail.telepac.pt

### Republic of South Africa

RUBICON  
ELECTRICAL DISTRIBUTORS  
4 Reith Street, Sidwell  
6061 Port Elizabeth  
Tel. +27 41 451-4359  
Fax +27 41 451-1296  
sales@rubiconelectrical.com

### Romania

First Electric SRL  
Str. Ritmului Nr. 1 Bis  
Ap. 2, Sector 2  
021675 Bucuresti  
Tel. +40 21 2526218  
Fax +40 21 3113193  
office@firstelectric.ro

### Singapore

BM Safety Singapore Pte Ltd.  
3 Ang Mo Kio Industrial Park 2A  
#07-04 Ang Mo Kio Tech 1  
Singapore 568050  
Tel. +65 6483 9288  
Fax +65 6235 0506  
sales@bmsafety.com.sg

### Slovakia

EUCHNER electric s.r.o.  
Trnkova 3069/117h  
628 00 Brno  
Tel. +420 533 443-150  
Fax +420 533 443-153  
info@euchner.cz

### Slovenia

SMM proizvodni sistemi d.o.o.  
Jaskova 18  
2000 Maribor  
Tel. +386 2 4502326  
Fax +386 2 4625160  
franc.kit@smm.si

### Spain

EUCHNER, S.L.  
Gurutze 12 - Local 1  
Poligono Belartza  
20018 San Sebastian  
Tel. +34 943 316-760  
Fax +34 943 316-405  
info@euchner.es

### Sweden

Censit AB  
Box 331  
33123 Värnamo  
Tel. +46 370 691010  
Fax +46 370 18888  
info@censit.se

### Switzerland

EUCHNER AG  
Falknisstrasse 9a  
7320 Sargans  
Tel. +41 81 720-4590  
Fax +41 81 720-4599  
info@euchner.ch

### Taiwan

Daybreak Int'l (Taiwan) Corp.  
3F, No. 124, Chung-Cheng Road  
Shihlin 11145, Taipei  
Tel. +886 2 8866-1234  
Fax +886 2 8866-1239  
day111@ms23.hinet.net

### Turkey

EUCHNER Endüstriyel Emniyet  
Teknolojileri Ltd. Şti.  
Hattat Bahattin Sok.  
Ceylan Apt. No. 13/A  
Göztepe Mah.  
34730 Kadıköy / Istanbul  
Tel. +90 216 359-5656  
Fax +90 216 359-5660  
info@euchner.com.tr

### United Kingdom

EUCHNER (UK) Ltd.  
Unit 2 Petre Drive,  
Sheffield  
South Yorkshire  
S4 7PZ  
Tel. +44 114 2560123  
Fax +44 114 2425333  
sales@euchner.co.uk

### USA

EUCHNER USA Inc.  
6723 Lyons Street  
East Syracuse, NY 13057  
Tel. +1 315 701-0315  
Fax +1 315 701-0319  
info@euchner-usa.com

### EUCHNER USA Inc.

Detroit Office  
130 Hampton Circle  
Rochester Hills, MI 48307  
Tel. +1 248 537-1092  
Fax +1 248 537-1095  
info@euchner-usa.com

## Germany

### Augsburg

EUCHNER GmbH + Co. KG  
Ingenieur- und Vertriebsbüro  
Julius-Spokojny-Weg 8  
86153 Augsburg  
Tel. +49 821 56786540  
Fax +49 821 56786541  
peter.klopfer@euchner.de

### Berlin

EUCHNER GmbH + Co. KG  
Ingenieur- und Vertriebsbüro  
Ulmstraße 115a  
12621 Berlin  
Tel. +49 30 50508214  
Fax +49 30 56582139  
alexander.walz@euchner.de

### Chemnitz

EUCHNER GmbH + Co. KG  
Ingenieur- und Vertriebsbüro  
Am Vogelherd 2  
09627 Bobritzsch-Hilbersdorf  
Tel. +49 37325 906000  
Fax +49 37325 906004  
jens.zehrtner@euchner.de

### Düsseldorf

EUCHNER GmbH + Co. KG  
Ingenieur- und Vertriebsbüro  
Tippgarten 3  
59427 Unna  
Tel. +49 2308 9337284  
Fax +49 2308 9337285  
christian.schinke@euchner.de

### Essen

Thomas Kreißl  
fördern - steuern - regeln  
Hackenbergweg 8a  
45133 Essen  
Tel. +49 201 84266-0  
Fax +49 201 84266-66  
info@kreisslessen.de

### Freiburg

EUCHNER GmbH + Co. KG  
Ingenieur- und Vertriebsbüro  
Steige 5  
79206 Breisach  
Tel. +49 7664 403833  
Fax +49 7664 403834  
peter.seifert@euchner.de

### Lübeck

EUCHNER GmbH + Co. KG  
Ingenieur- und Vertriebsbüro  
Am Stadtrand 13  
23556 Lübeck  
Tel. +49 451 88048371  
Fax +49 451 88184364  
martin.pape@euchner.de

### Nürnberg

EUCHNER GmbH + Co. KG  
Ingenieur- und Vertriebsbüro  
Steiner Straße 22a  
90522 Oberasbach  
Tel. +49 911 6693829  
Fax +49 911 6696722  
ralf.paulus@euchner.de

### Stuttgart

EUCHNER GmbH + Co. KG  
Ingenieur- und Vertriebsbüro  
Kohlhammerstraße 16  
70771 Leinfelden-Echterdingen  
Tel. +49 711 7597-0  
Fax +49 711 7597-303  
oliver.laier@euchner.de  
uwe.kupka@euchner.de

### Wiesbaden

EUCHNER GmbH + Co. KG  
Ingenieur- und Vertriebsbüro  
Adolfsallee 3  
65185 Wiesbaden  
Tel. +49 611 98817644  
Fax +49 611 98895071  
giancarlo.pasquesi@euchner.de



# EUCHNER

More than safety.



### Support hotline

You have technical questions about our products or how they can be used?  
For further questions please contact your local sales representative.



### Comprehensive download area

You are looking for more information about our products?  
You can simply and quickly download operating instructions, CAD or ePLAN data and accompanying software for our products at [www.euchner.com](http://www.euchner.com).



### Customer-specific solutions

You need a specific solution or have a special requirement?  
Please contact us. We can manufacture your custom product even in small quantities.






### EUCHNER near you

You are looking for a contact at your location? Along with the headquarters in Leinfelden-Echterdingen, the worldwide sales network includes 18 subsidiaries and numerous representatives in Germany and abroad – you will definitely also find us near you.


[www.euchner.com](http://www.euchner.com)

# How to find “your” MGB:

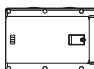
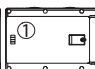


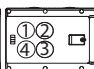
## Considerations in relation to the output family

	MGB-AP for separate operation
	MGB-AR for separate operation or series connection with other AR devices
	MGB-PN for operation in PROFINET environment













### Step 1 Interlocking or guard locking?

-	MGB-LO...: <b>Interlocking</b> (Only monitoring of the door position)
	MGB-L1...: <b>Guard locking by spring force</b> (Closed-circuit current principle)
	MGB-L2...: <b>Guard locking by solenoid force</b> (Open-circuit current principle)

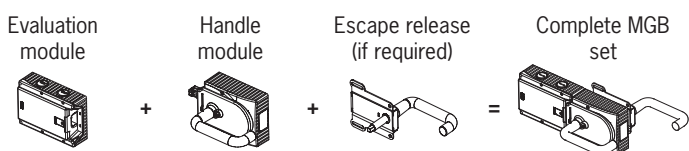
### Step 2 Select number of controls/indicators required

Contact assembly/ counting direction	    
---	---

### Step 3 Select type of controls and indicators

	Emergency stop according to ISO 13850
 / 	Illuminated emergency stop / emergency stop with monitoring contact
 / 	Machine stop / machine stop with monitoring contact
 / 	Pushbutton, illuminated / not illuminated (Different colors available)
	LED (Different colors available)
 / 	Selector switch form V, 2-stage, optionally illuminated (Different versions available. For details see ordering table and description of the details)
 / 	Key-operated selector switch form L or V, 2-stage (Different versions available. For details see ordering table and description of the details)

### Step 4 Select complete MGB set with the required configuration



Have you not been able to find the configuration you require?

You will find further information at [www.euchner.com](http://www.euchner.com). Alternatively our product consultants are available to assist you from the factory or on site.

For an explanation of symbols, see also Page 8.

**EUCHNER GmbH + Co. KG**

Kohlhammerstraße 16  
70771 Leinfelden-Echterdingen  
Germany  
Tel. +49 711 7597-0  
Fax +49 711 753316  
info@euchner.de  
www.euchner.com

**EUCHNER**

More than safety.