

CONTROL TECHNIQUES



UNIDRIVE M

MULTI-PROTOCOL DRIVES
AC DRIVES, HIGH PERFORMANCE

NEW

DRIVE OBSESSED

UNIDRIVE M

VERSATILITY AND FLEXIBILITY GUARANTEED

Control Techniques has set the standards in motor control since 1973.

Control Techniques' philosophy has always been to support innovators, regardless of which communications protocol they use. It's for them that we've developed the most flexible high-performance drive platform on the market.

Ethernet-based control networks have taken the place of traditional serial communications fieldbuses. Supporting this shift in technology was a key element in the design of our Unidrive M platform, enabling integration across a range of popular communications protocols.



200 μ s drive-to-drive
synchronisation data transfer



Support for RPI as low as 2 ms




Maximum of up to 10
concurrent connections



Support for 1 ms cyclic
link cycle times



0.75 kW - 2.8 MW Heavy Duty
(1.0 hp - 4,200 hp)
200 V | 400 V | 575 V | 690 V



Now, Control Techniques has gone one step further, by expanding the protocols supported as standard by our Unidrive M drive series. This means users of EtherNet/IP, Modbus/TCP, RTMoE and now PROFINET RT can use a single drive platform across their entire system without having to rely on different add-ons

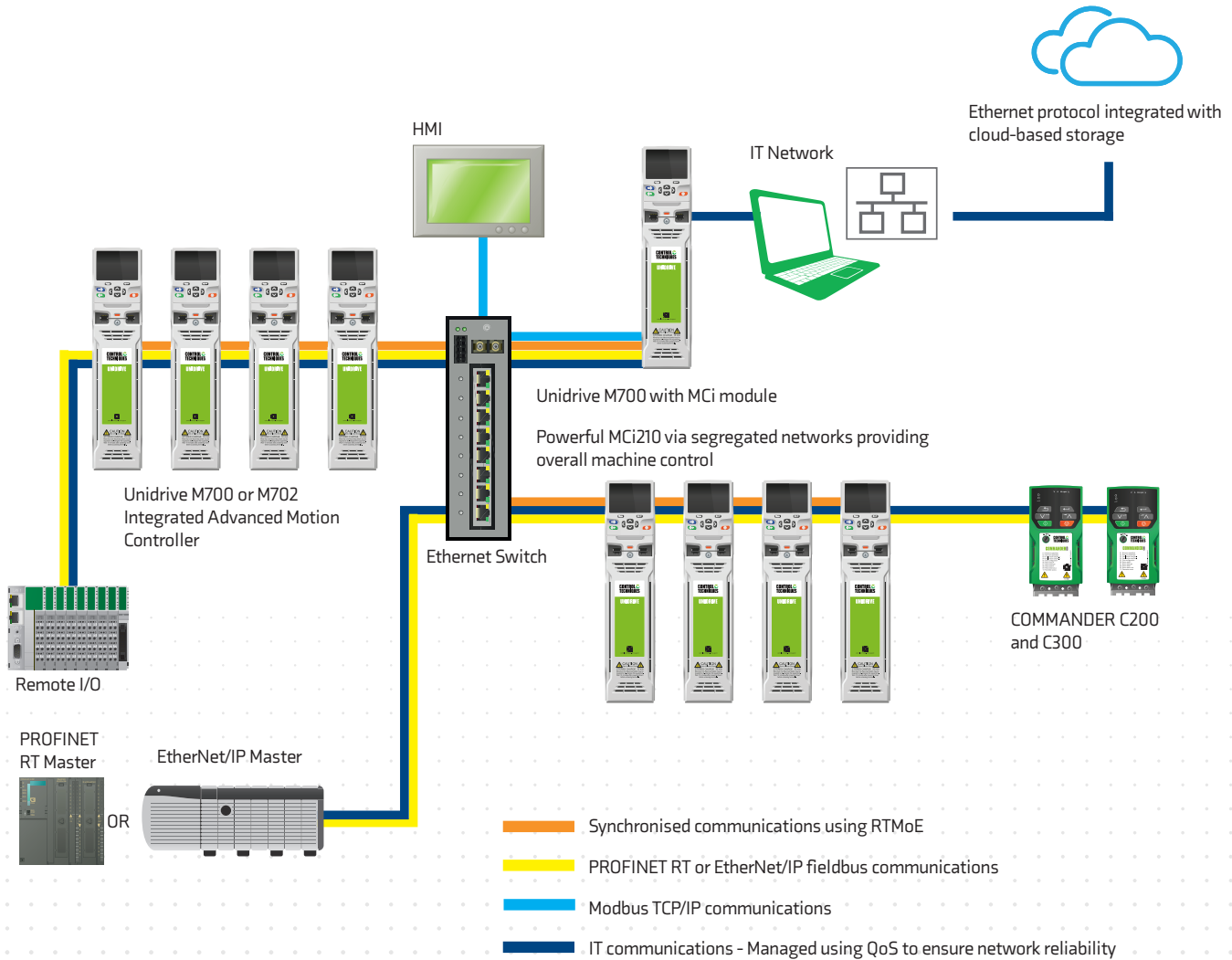
The new Unidrive M drives offer the following highlighted benefits:

- Complex topologies now possible using a single drive platform
- Achieve inter-axis synchronisation using RTMoE; available on the same network simultaneously with the higher level protocols
- PROFINET RT support with as low as to 1 ms cyclic link cycle times
- EtherNet/IP support with RPI as low as 2 ms
- Modbus TCP/IP support with up to 10 concurrent connections
- Commissioning and programming PC tools can be connected through the same Ethernet connection

Flexibility of Communication

The Unidrive M drives' communications interface has been upgraded to bring even more performance and extend the range of supported applications and topologies. Using only the standard on-board communications it is possible to realise a system with an HMI connected via Modbus TCP/IP, simultaneously with a high performance connection to a central PLC using EtherNet/IP or PROFINET RT.

Additionally, inter-axis synchronisation using RTMoE delivers the ability to implement complex, highly accurate electronic line-shaft applications at a fraction of the cost of solutions available on the market today.



Nidec

© 2020 Nidec Control Techniques Limited. The information contained in this brochure is for guidance only and does not form part of any contract. The accuracy cannot be guaranteed as Nidec Control Techniques Ltd have an ongoing process of development and reserve the right to change the specification of their products without notice.

Nidec Control Techniques Limited, Registered Office: The Gro, Newtown, Powys SY16 3BE. Registered in England and Wales. Company Reg. No. 01236886

Part No. 0781-0330-02 08/20